

YEEKA

Каталог

замки

петли

ручки



























































RUS

info@schraubenmun.ru

www.schraubenmun.ru

畅销品列表,更多款式,请查阅内页面

A selection of our most popular products,for more products, pls review inside pages.

锁具 Locks	A						
		1A-001	1A-002	1A-005	1A-007	1A-013	1A-015
	B						
		1B-001	1B-002	1B-002	1B-007	1B-010	1B-011
铰链 Hinges	C						
		1C-001	1C-003	1C-005	1C-007	1C-007	1C-008
	D						
		1D-004	1D-005	1D-006	1D-007	1D-009	1D-012
拉手 Handles	A						
		2A-001	2A-002	2A-003	2A-003	2A-006	2A-007
	A-B						
		2A-015	2A-016	2B-001	2B-002	2B-003	2B-005
支撑杆 Cover stay	D						
		2D-002	2D-003	2D-004	2D-005	2D-005	2D-005
	拉手 Handles						
		3A-001	3B-001	3B-002	3B-002	3B-003	3B-005
密封条 Gasketing	支撑杆 Cover stay						
		6A-001	6A-002	6A-002	6A-003	6A-004	6B-001
	密封条 Gasketing						
		7B-001	7B-001	7B-001	7B-002	7B-002	7B-002



C



附件系列
Accessories



TÜV SÜD TÜV SÜD

ZERTIFIKAT ◆ CERTIFICATE ◆ CERTIFICADO ◆ CERTIFICAT ◆ CERTIFIKAT ◆ 認證證書 ◆



Management Service

证书

TÜV SÜD 管理服务有限公司

认证部

兹证明



温州一卡锁具科技有限公司

中国浙江省温州市瓯海区郭溪工业区富阳北路49号

邮政编码: 325016

统一社会信用代码: 91330304572903432X

在以下适用范围
建立和实施了质量管理体系

锁具, 铰链, 拉手的设计、生产与销售。

通过审核, 订单编号: 7482306645

证明该体系满足

ISO 9001:2015

的要求。

本证书的有效期从2020年10月29日至2023年10月28日。

获证组织必须定期接受监督审核并经审核合格此证书方继续有效。

证书注册号: 12 100 48889 TMS。

本证书信息可在国家认证认可监督管理委员会官方网站

(www.cnca.gov.cn)上查询。

Product Compliance Management

慕尼黑, 2020年10月21日





Management Service

CERTIFICATE

The Certification Body
of TÜV SÜD Management Service GmbH

certifies that

yeeka

Wenzhou Yeeka Lock Technology Co., Ltd.
No.49, Fuyang North Road, Guoxi Industrial Park, Ou hai District,
Wenzhou City, Zhejiang Province, P. R. China
Post Code: 325016

Unified social credit code: 91330304572903432X

has established and applies
a Quality Management System for

Design, Manufacture and Sales of Locks, Hinges, Handles.

An audit was performed, Order No. **7482306645.**

Proof has been furnished that the requirements
according to

ISO 9001:2015

are fulfilled.

The certificate is valid from **2020-10-29** until **2023-10-28.**

The certified organization shall undergo and pass
the regular surveillance audit to maintain the validity of this certificate.

Certificate Registration No.: **12 100 48889 TMS.**

Information about this certificate can be inquired at the official website
of Certification and Accreditation Administration of the People's Republic of China (www.cnca.gov.cn).



Product Compliance Management
Munich, 2020-10-21



CERTIFICAT

CERTIFICADO

СЕРТИФИКАТ

認證證書

CERTIFICATE

ZERTIFIKAT

TÜV SÜD TÜV SÜD TÜV SÜD TÜV SÜD TÜV SÜD TÜV SÜD TÜV SÜD TÜV SÜD TÜV SÜD TÜV SÜD TÜV SÜD TÜV SÜD TÜV SÜD TÜV SÜD TÜV SÜD TÜV SÜD TÜV SÜD TÜV SÜD TÜV SÜD TÜV SÜD

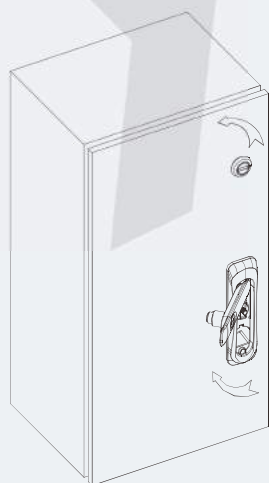
图例说明 Explanation of pictograms



左手门/右手门和锁闭方向图例

Explanation of the terms left hand/right hand door and locking direction

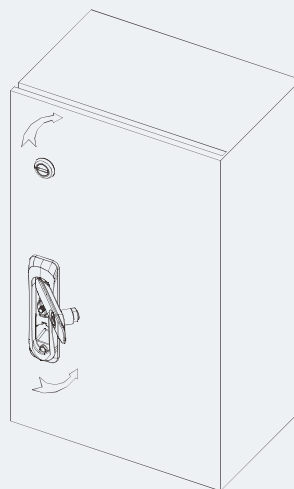
左开
铰链在门的左侧，左手开门
LH door =
Hinges are on the LH side



转舌锁锁芯逆时针旋转开启
LH door with Quarter Turn:
Opening direction is anti-clockwise

旋转把手顺时针旋转开启
LH door with swinghandle:
Opening direction is clockwise

右开
铰链在门的右侧，右手开门
RH door =
Hinges are on the RH side



转舌锁锁芯顺时针旋转开启
RH door with Quarter Turn:
Opening direction is clockwise

旋转把手逆时针旋转开启
RH door with swinghandle:
Opening direction is anti-clockwise

IP等级说明 Explanation of IP-rating

IEC 60 529 防护等级 Protection categories to IEC 60 529

IP 防护等级由两位数字组成。例如：IP54

The IP protection category is characterised by 2 numbers. Example of protection category: e.g. IP 54.

第一位数字 Fir. NO.	防止固体外物侵入的防护等级 Degrees of protection for protection for protection against contact and foreign bodies	第二位数字 Sec.NO.	防水防护等级 Degrees of protection for protection against water
1	防止 $\geq\Phi 50\text{mm}$ 的固体侵入 Protected against solid foreign objects $\Phi 50\text{ mm and greater}$	1	防止垂直水滴侵入 Protected against vertically falling water drops
2	防止 $\geq\Phi 12.5\text{mm}$ 的固体侵入 Protected against solid foreign objects $\Phi 12.5\text{ mm and greater}$	2	倾斜 15° 时，防止垂直水滴侵入 Protected against vertically falling water drops when the enclosure is tilted up to 15°
3	防止 $\geq\Phi 2.5\text{mm}$ 的固体侵入 Protected against solid foreign objects $\Phi 2.5\text{ mm and greater}$	3	防止喷洒水侵入 Protected against splashing water
4	防止 $\geq\Phi 1.0\text{mm}$ 的固体侵入 Protected against solid foreign objects $\Phi 1.0\text{mm and greater}$	4	防止习溅水侵入 Protected against splashing water
5	防尘 Dust-protected	5	防止喷射水侵入 Protected against water jets
6	防尘、密闭 Dust-tight	6	防止强力喷射水侵入 Protected against powerful ater jets
		7	置于水中时，可短时间防水 Protected against the effects of temporary immersion in water

表面处理代号说明 Explanation of Finish Code

以下是我们常用的几种表面处理代号，一般都加在产品订货编号最后面

A section of our standard finish code, the specific color code is at the end of our product order code.

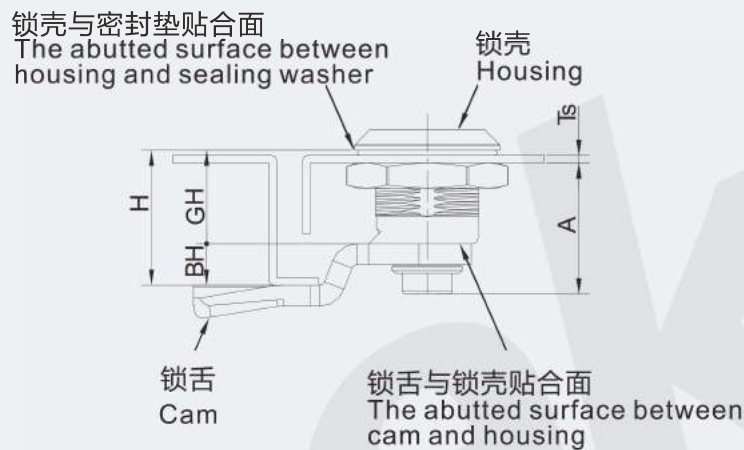
代号Code	表面处理 Finish	代号Code	表面处理 Finish
-10	喷塑亚光黑 Smoothly black powder coated	-39	亚光铬 stain chrome
-20	喷塑麻面黑 Black textured powder coated	-52	纳米喷漆(银亚光) NM spray painting (matte silver)
-30	电镀亮铬 Bright chrome	-32	喷塑RAL7032 Powder coated RAL7032
-79	喷沙镀铬 Textured chrome plated	-01	电镀锌 Zinc plating

止口高度与锁壳高度说明

Explanation of grip-range and housing height

直角转舌锁

Quarter Turn Lock

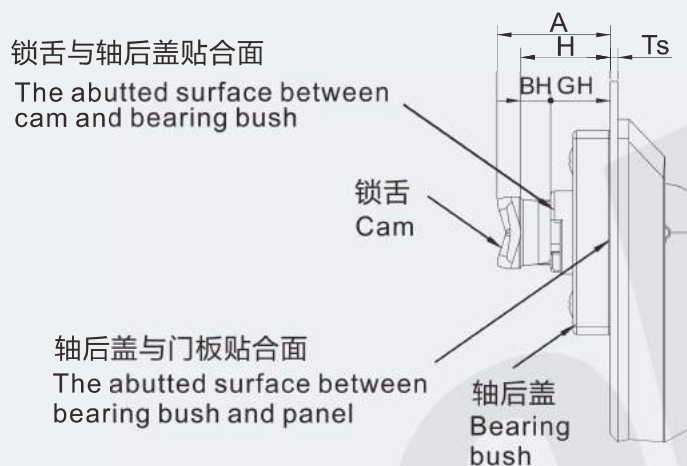


- GH: 锁壳高度；锁壳与密封垫贴合面到锁舌与锁壳贴合面的距离；
- BH: 锁舌打弯高度；正向打弯为“+”，反向打弯为“-”；
- H: 止口高度；锁壳与密封垫贴合面到锁舌折弯面的距离； $H=GH+BH$ ；
- A: 门板后锁的距离；随 T_s 板厚尺寸的改变而改变；
- T_s : 门板厚度1mm到Bmm； $B=(GH-12)$ ；
- GH: Housing height; the distance from the abutted surface between housing and sealing washer to the abutted surface between cam and housing
- BH: The bending height of cam; Reversed “+”, Offset “-”;
- H: Grip range; the distance from the abutted surface between sealing washer and sealing washer to bending surface of the cam, $H=GH+BH$;
- A: The length of the lock behind the panel; it changes with the thickness of panel
- T_s : Panel thickness from 1mm to Bmm; $B=(GH-12)$;

止口高度与锁壳高度说明

Explanation of grip-range and housing height

平面型转动把手 Swinghandle



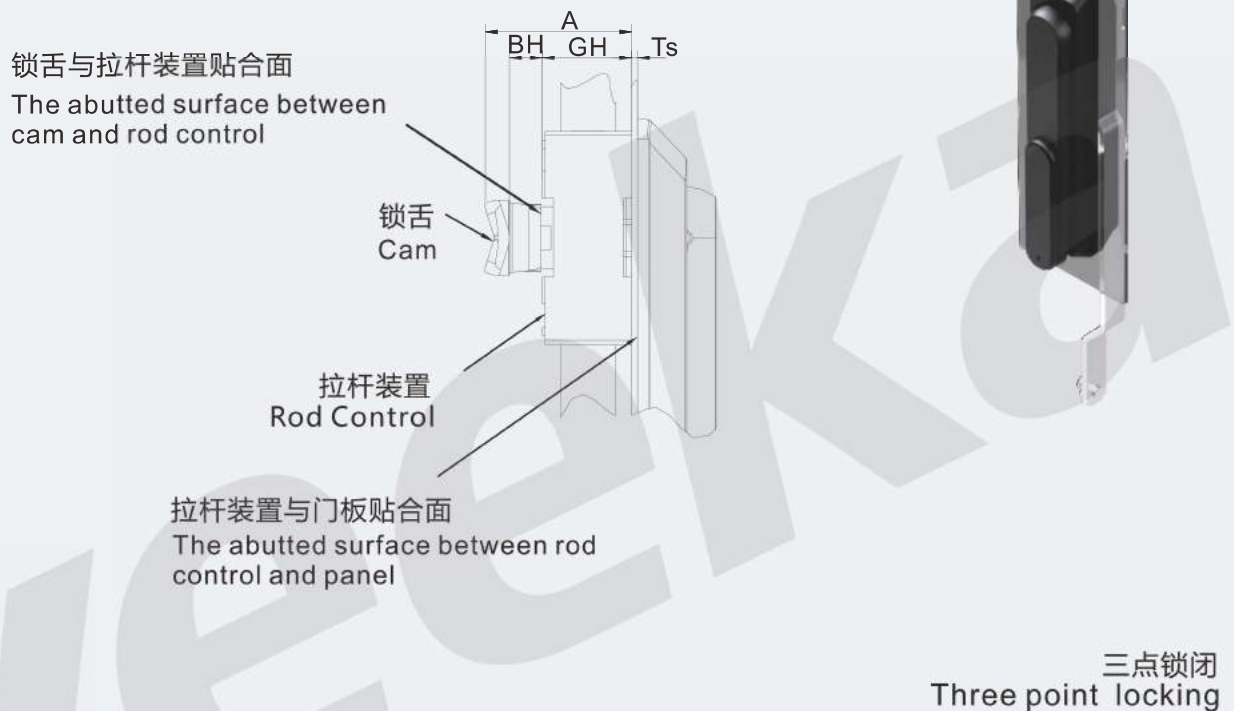
单点锁闭
Single point locking

- GH: 轴后盖高度; 轴后盖与门板贴合面到锁舌与轴后盖贴合面的距离;
 - BH: 锁舌打弯高度; 正向打弯为 "+", 反向打弯为 "-";
 - H: 止口高度; 锁壳与密封垫贴合面到锁舌折弯面的距离; $H=GH+BH$;
 - A: 门板后锁的距离; 不随Ts板厚尺寸的改变而改变, 其产品为两体可分离结构;
 - Ts: 门板厚度; 1.5mm到2.5mm;
-
- GH: Bearing bush height; the distance from the abutted surface between bearing bush and panel to the abutted surface between cam and bearing bush
 - BH: The bending height of cam; Reversed "+", Offset "-";
 - H: Grip range; the distance from the abutted surface between housing and sealing washer to bending surface of the cam, $H=GH+BH$;
 - A: The length of the lock behind the panel; it doesn't change with thickness of panel; two-body separable structure
 - Ts: Panel thickness, from 1.5mm to 2.5mm;

止口高度与锁壳高度说明

Explanation of grip-range and housing height

连杆型旋转把手 Rod Control Swinghandle



- GH: 拉杆装置高度;拉杆装置与门板贴合面到锁舌与拉杆装置贴合面的距离;
- BH: 锁舌打弯高度; 正向打弯为“+”, 反向打弯为“-”;
- H: 止口高度; 锁壳与密封垫贴合面到锁舌折弯面的距离; $H=GH+BH$;
- A: 门板后锁的距离; 不随Ts板厚尺寸的改变而改变, 其产品为两体可分离结构;
- Ts: 门板厚度; 1.5mm到2.5mm;

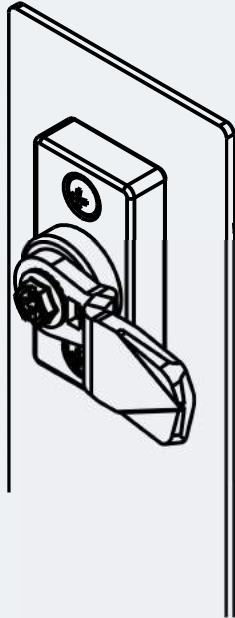
- GH: Rod control height; the distance from the abutted surface between rod control and panel to the abutted surface between cam and rod control
- BH: The bending height of cam; Reversed “+”, Offset “-”;
- H: Grip range; the distance from the abutted surface between housing and sealing washer to bending surface of the cam, $H=GH+BH$;
- A: The length of the lock behind the panel; it doesn't change with thickness of panel; two-body separable structure
- Ts: Panel thickness, from 1.5mm to 2.5mm;

锁舌型与扫体型说明

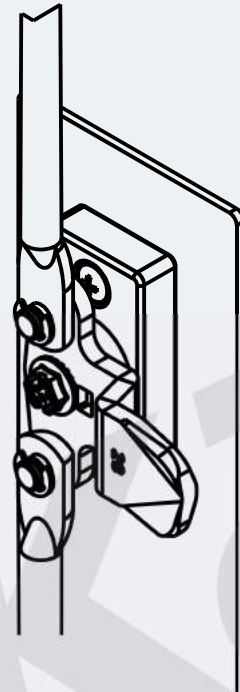
Explanation of cam control version and rod control version

锁舌型

Cam control version



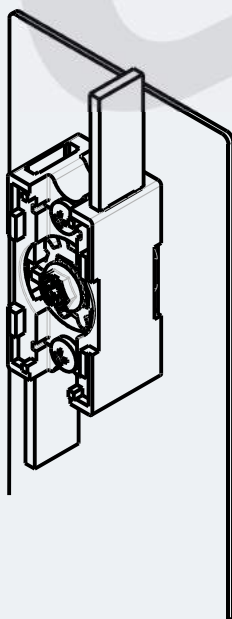
单点锁闭锁舌型
Single point cam control version



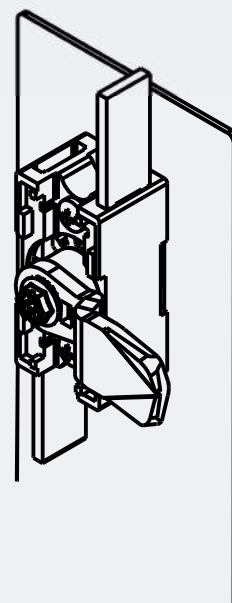
3点锁闭锁舌型
3 points cam control version

扫体型

Rod control version

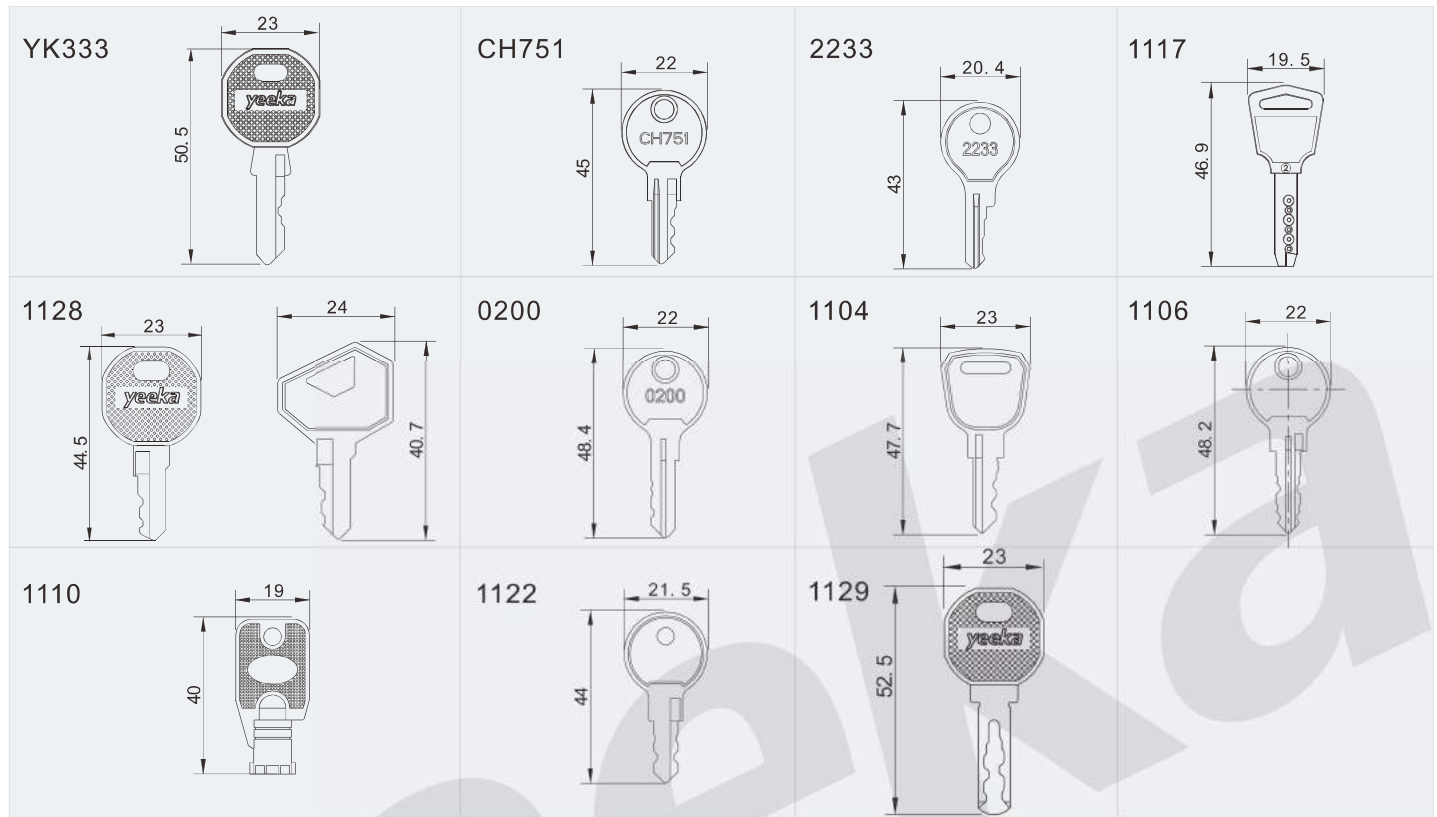


2点锁闭拉杆型
2 points rod control version



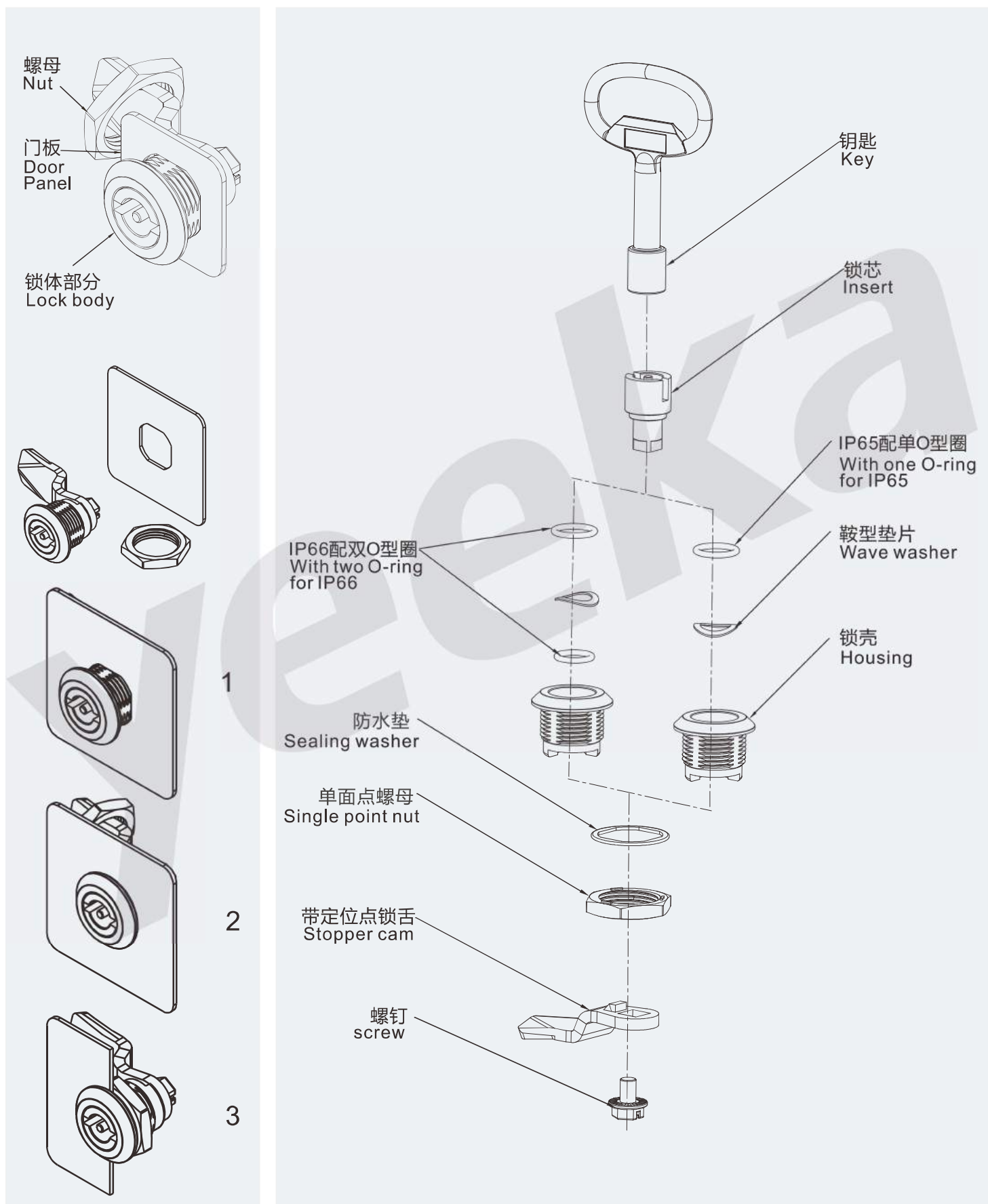
3点锁闭拉杆型
3 points rod control version

钥匙选型表 Key selection table



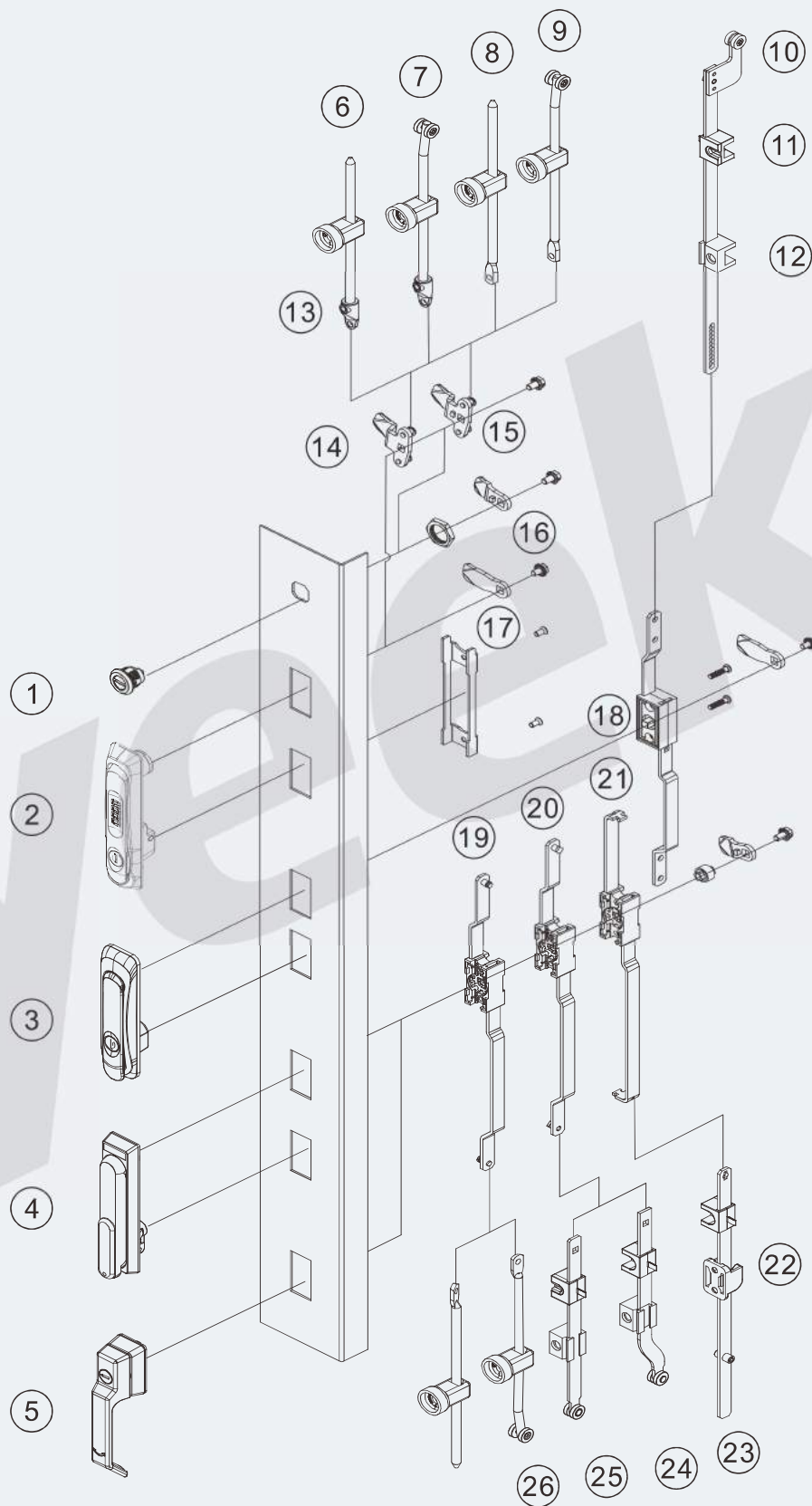
钥匙型号 Key Part Number	适用产品 Applicable product							单配组数 Key different
YK333	1100	1101	1102	1103	1107	1113	1114	120 组 120 Combinations
	1120	1123	1201	1208	1240	1241	1242	
	1242-A	1244	1245	1246	1254	1301	1310	
	1311	1401	1402-110	1403	1404	1437	1439	
	1601							
CH751	1100	1101	1102	1103	1113	1114	1120	30 组 30 Combinations
	1123	1201	1207	1208	1240	1241	1242	
	1242-A	1244	1245	1246	1254	1256	1271	
	1301	1310	1311	1401	1402-110	1403	1404	
	1430	1431	1437	1439	1451	1704		
2233	1402-210/310/410/510			1418	1101	1102	1103	
0200	1113	1403	1114	1201	1401			
	1104	1221	1101	1102	1103	1113	1114	
	1201	1401	1403					
1128	1128	1105						
1117	1117	1118	1222					
1104	1104	1221						
1106	1106							
1110	1110							
1122	1122							
1129	1129							

转舌锁安装示意图 Quarter turn lock installation instruction



锁具拉杆与锁舌及配件选型图

Latch and accessories program



锁具拉杆与锁舌及配件选型图 Latch and accessories program

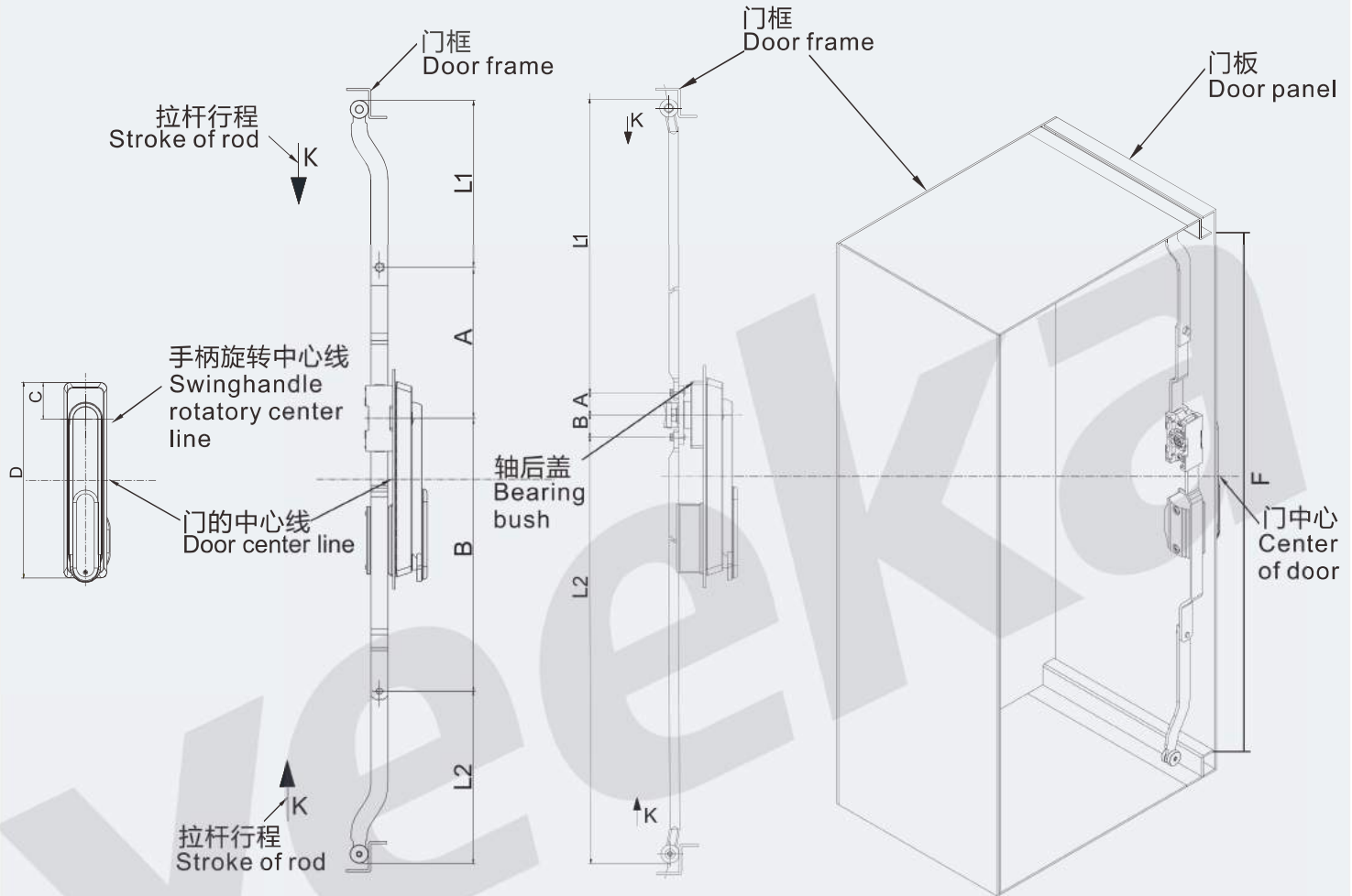
- 1.直角转舌锁 Quarter turn lock
- 2.平面型转动把手 Swinghandle lock
- 3.连杆式旋转把手 Rod control swinghandle
- 4.连杆式旋转把手 Rod control swinghandle
- 5.把手锁 Handle lock
- 6.9301-A 拉杆 9301-A Rod
- 7.9301-B 拉杆 9301-B Rod
- 8.9301-C 拉杆 9301-C Rod
- 9.9301-D 拉杆(适用于锁舌型带圆铆钉, 安装面与滚轮垂直)
9301-D Rod(Suitable for cam with round studs, mounting surface is perpendicular to the roller)
- 10.9301-X拉杆 9301-X Rod
- 11.9401-2622 导向件 9401-2622 Rod guide
- 12.9401-2622C 导向件 9401-2622C Rod guide
- 13.9405-01不带定位点锁舌 9405-01 With non-stopper cam
- 14.9100-95XXF 不带定位点锁舌 9100-95XXF With non-stopper cam
- 15.9100-95XX带定位点锁舌 9100-95XX With stopper cam
- 16.9100-04XX带定位点锁舌 9100-04XX With stopper cam
- 17.9100-04XXF不带定位点锁舌 9100-04XXF With non-stopper cam
- 18.1104拉杆装置 1104 Rod control
- 19.1193-01拉杆装置 1193-01 Rod control
- 20.1193-02拉杆装置 1193-02 Rod control
- 21.1193-04拉杆装置 1193-04 Rod control
- 22.9401-4026导向件 9401-4026 Rod guide
- 23.9301-H拉杆 9301-H Rod
- 24.9301-G/F拉杆 9301-G/F Rod
- 25.9301-E拉杆 9301-E Rod
- 26.9301-DA拉杆(适用于拉杆装置带圆铆钉, 安装面与滚轮平行)
9301-DA Rod(Suitable for rod control with round studs, mounting surface is parallel to the roller)

拉杆长度计算说明

Explanation of rod length calculation

拉杆安装示意图

Installation instruction of rod



拉杆长度计算公式 Rod length calculation formula

门板中心与锁体旋转中心线重合的连杆长度计算:

Rod length calculation that door panel center coincided with lock body rotatory center line

$$L1 = F/2 - A + (K - 2)$$

$$L2 = F/2 - B + (K - 2)$$

门板中心与锁体中心线重合的连杆长度计算:

Rod control length calculation that door panel center coincided with lock body center line

$$L1 = F/2 - [A + (D/2 - C)] + (K - 2)$$

$$L2 = F/2 - [B - (D/2 - C)] + (K - 2)$$

注:如有连接件(如9405-01),应减掉连接件的有效长度;其计算方法适用于密封条内安装连杆的长度计算;

其计算方法,仅供参考,使用时应考虑连杆的实际安装条件;

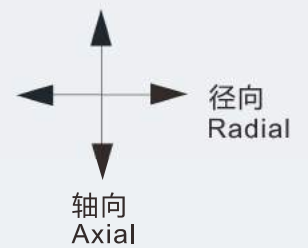
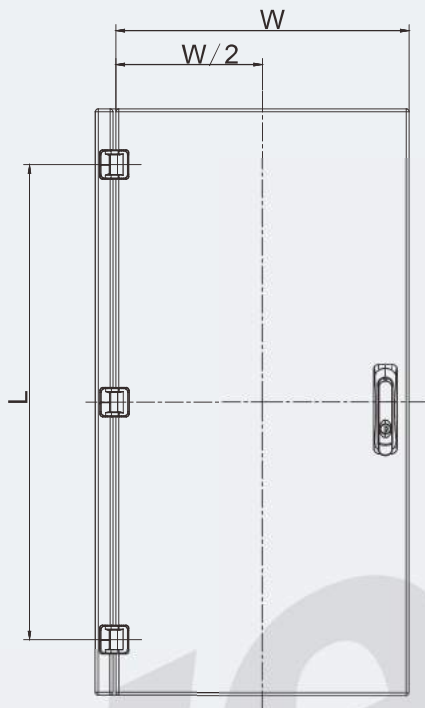
Note: If there are rod adaptors (such as 9405-01), the effective length of the rod adaptors should be reduced; The calculation method is suitable for the length calculation of the rod installed inside with the gasket; The calculation method is for reference only. The actual installation conditions of the rod should be considered during use;

K:传动伸缩行程代号 transmission telescopic stroke code

F:门框开口高 door opening height

铰链承载力计算

The calculation of hinge load capacity



铰链承载力计算公式

Calculation formula of hinge load capacity

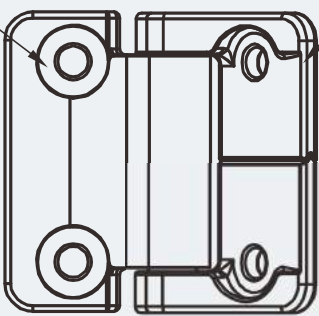
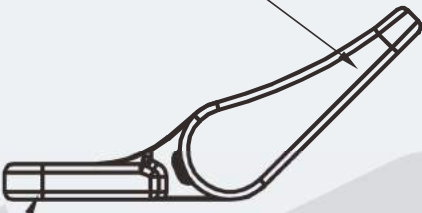
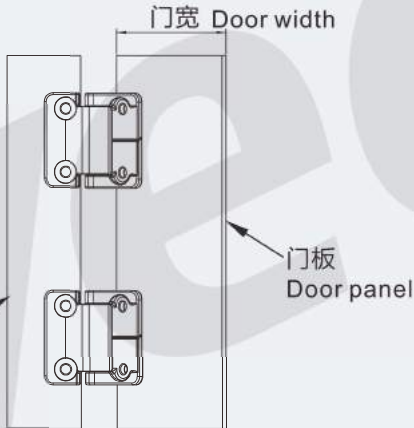
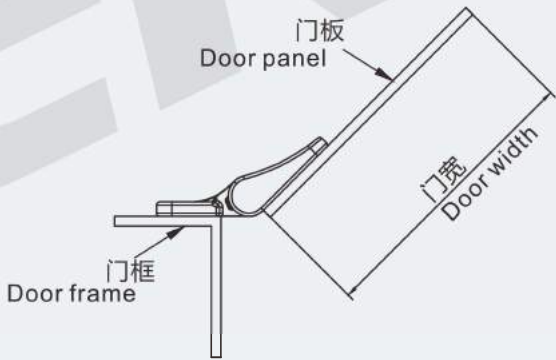
设置铰链的数量 n ,门宽为 W ,门重为 G ,铰链安装距离为 L

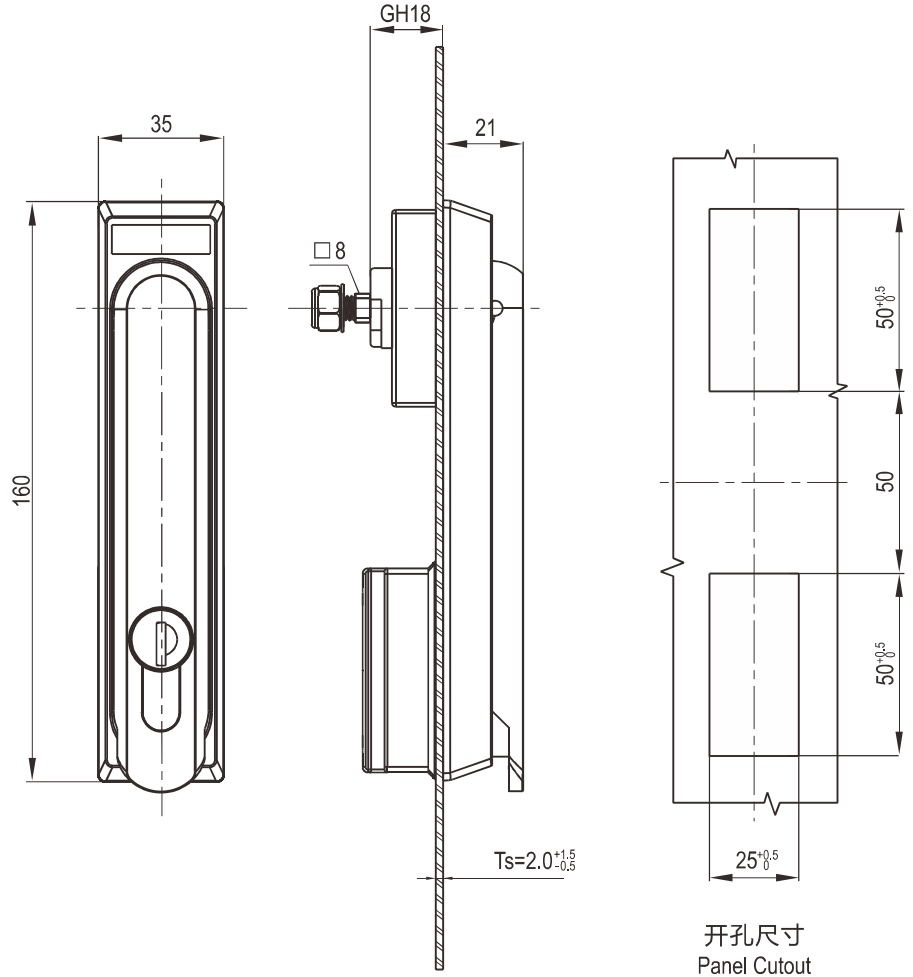
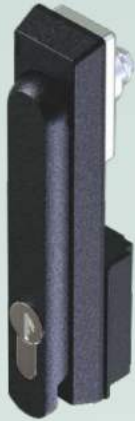
Suppose the quantity of hinges is n , door width is W , door weight is G , hinge installation distance is L

- 轴向承载力 $F1 = G/n$
Axial load capacity $F1 = G/n$
- 径向承载力 $F2 = G \cdot W / 2L$
Radial load capacity $F2 = G \cdot W / 2L$

扭矩铰链扭矩计算

The torque calculation of the torque hinge

<p>径向/垂直安装 (左右开合) Radial/ vertical installation (opening and closing transversely)</p>	<p>横向/水平安装 (上下开合) Lateral/horizontal installation (opening and closing lengthways)</p>
<p>固定在门框上 Fixed on the door frame</p> <p>固定在门板上 Fixed on the door panel</p>  <p>用手拨动门板左右来回的开启和关闭, 门板能停在任何位置 Open and close the door several times from left to right, the door can be stopped at any position</p>	<p>固定在门板上 Fixed on the door panel</p>  <p>用手拨动门板上下来回的开启和关闭, 门板能停在任何位置 Open and close the door several times from up to down, the door can be stopped at any position.</p> <p>固定在门框上 Fixed on the door frame</p>
<p>安装示意图 Installation Instruction</p>	<p>安装示意图 Installation Instruction</p>
 <p>门宽 Door width</p> <p>门板 Door panel</p> <p>门框 Door frame</p>	 <p>门板 Door panel</p> <p>门框 Door frame</p> <p>门宽 Door width</p>
<p>需知条件:</p> <ol style="list-style-type: none"> 1.门的重量: 千克(门重+门上所安装物品的总重量) 2.门板的宽度: 米 3.摩擦系数: 0.12 <p>Information required:</p> <ol style="list-style-type: none"> 1.The weight of the door: KG (The weight of the door + the total weight of the items installed on the door) 2.Width of door panel: M 3.Friction coefficient: 0.12 	<p>需知条件:</p> <ol style="list-style-type: none"> 1.门的重量: 千克(门重+门上所安装物品的总重量) 2.门板的宽度: 米 <p>Information required:</p> <ol style="list-style-type: none"> 1.The weight of the door: KG (The weight of the door + the total weight of the items installed on the door) 2.Width of door panel: M
<p>计算公式:</p> <p>扭矩值 (N*M)=门宽 (M)/2*门重 (KG)*9.8*摩擦系数</p> <p>Calculation formula :</p> <p>Torque value (N*M)=Width of door panel (M)/2*The weight of the door (KG)*9.8* Friction coefficient</p>	<p>计算公式:</p> <p>扭矩值 (N*M)=门宽 (M)/2*门重 (KG)*9.8</p> <p>Calculation formula :</p> <p>Torque value (N*M)=Width of door panel (M)/2*The weight of the door (KG)*9.8</p>



开孔尺寸
Panel Cutout

锌合金锁体喷塑亚光黑, 锌合金拉杆装置, 镀锌钢转轴和拉杆, 不锈钢挂锁座
Zinc die body black powder coated, zinc die rod control, m.s. zinc plated shaft and flat rod, SUS304 padlockable device.

锁芯 Cylinder style	Version A(锁舌型 Cam control)	
	有防尘盖 With Dust Cap	无防尘盖 Without Dust Cap
半圆柱 YK333 相同钥匙 Alike YK333 Profile Round Cylinder	1100-1P01-C	1100-1P01-NC
双翅 4mm (Double Bit 4mm)	1100-1P02-C	1100-1P02-NC
四方锁芯 7mm (Square 7mm)	1100-1P03-C	1100-1P03-NC
三角锁芯 8mm (Triangular 8mm)	1100-1P04-C	1100-1P04-NC

可选配件 Accessories ref. to page #

1. 锁舌 见页面 9A-001 CAM ref. to page 9A-001

备注: Remark

1. 专用钥匙可选 Key different on request.

2. CH751 钥匙可选, CH751 key code on request

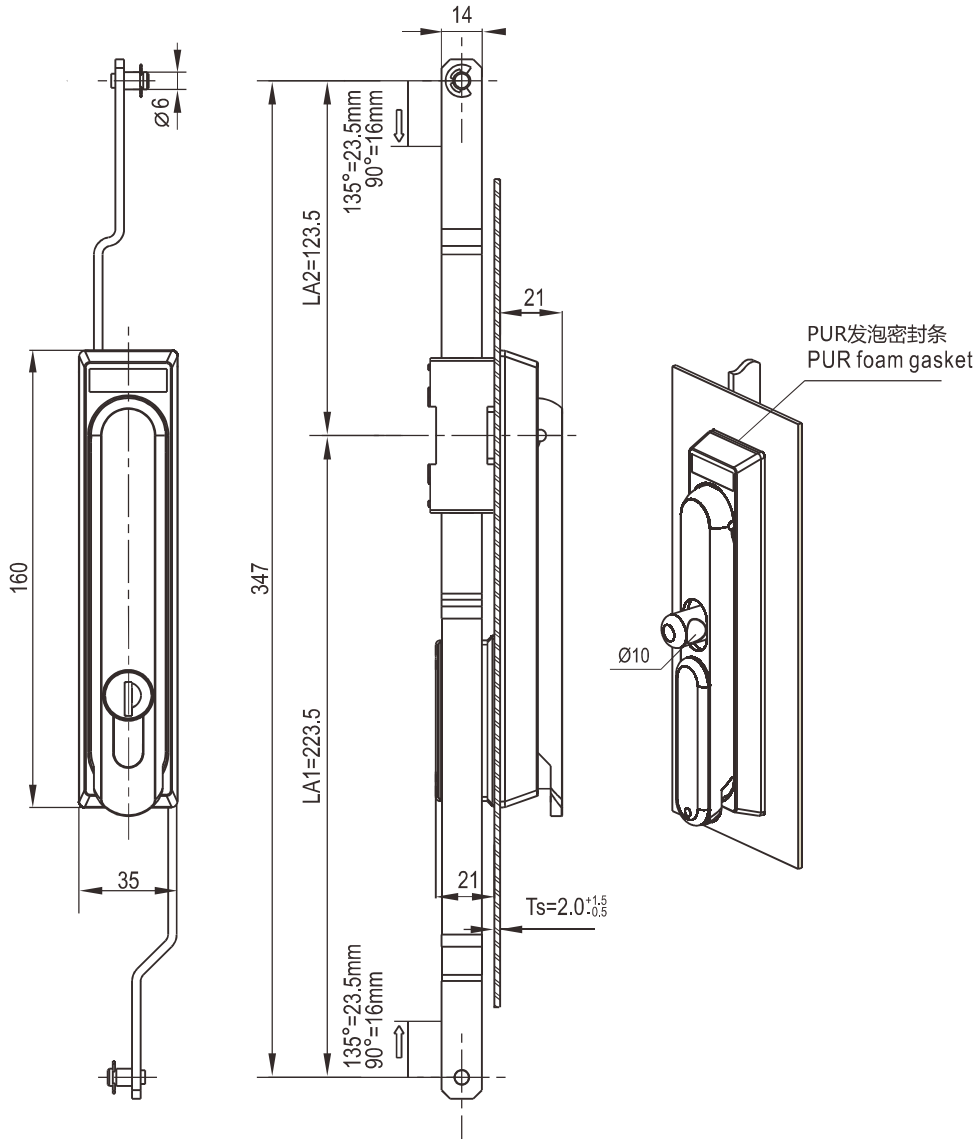
3. 可配挂锁 Padlockable on request

4. 默认YK333钥匙 Keyed YK333

连杆型旋转把手 Rod Control Swinghandle

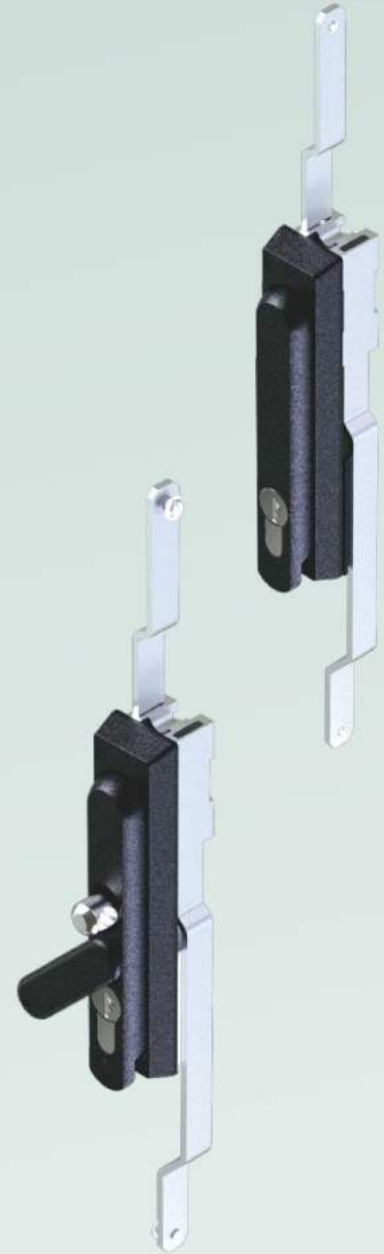
产品系列: 1100

yeeka



锌合金锁体喷塑亚光黑, 锌合金拉杆装置, 镀锌钢转轴和拉杆, 不锈钢挂锁座
Zinc die body black powder coated, zinc die rod control, m.s. zinc plated shaft and flat rod, SUS304 padlockable device.

锁芯 Cylinder style	Version B(两点拉杆型 2P.rod control)		Version C(三点拉杆型 3P.rod control)	
	有防尘盖 With Dust Cap	无防尘盖 Without Dust Cap	有防尘盖 With Dust Cap	无防尘盖 Without Dust Cap
半圆柱 YK333 相同钥匙 Alike YK333 Profile Round Cylinder	1100-2P01-C	1100-2P01-NC	1100-3P01-C	1100-3P01-NC
双翅 4mm (Double Bit 4mm)	1100-2P02-C	1100-2P02-NC	1100-3P02-C	1100-3P02-NC
四方锁芯 7mm (Square 7mm)	1100-2P03-C	1100-2P03-NC	1100-3P03-C	1100-3P03-NC
三角锁芯 8mm (Triangular 8mm)	1100-2P04-C	1100-2P04-NC	1100-3P04-C	1100-3P04-NC



此产品不对德国,意大利,西班牙,英国市场销售。

This product is not available for selling to the markets of Germany,Italy,Spain,England.

可选配件 Accessories ref. to page #

1. 锁舌 见页面 9A-001 CAM ref. to page 9A-001
2. 拉杆装置1193系列 Rod control 1193 series

备注: Remark

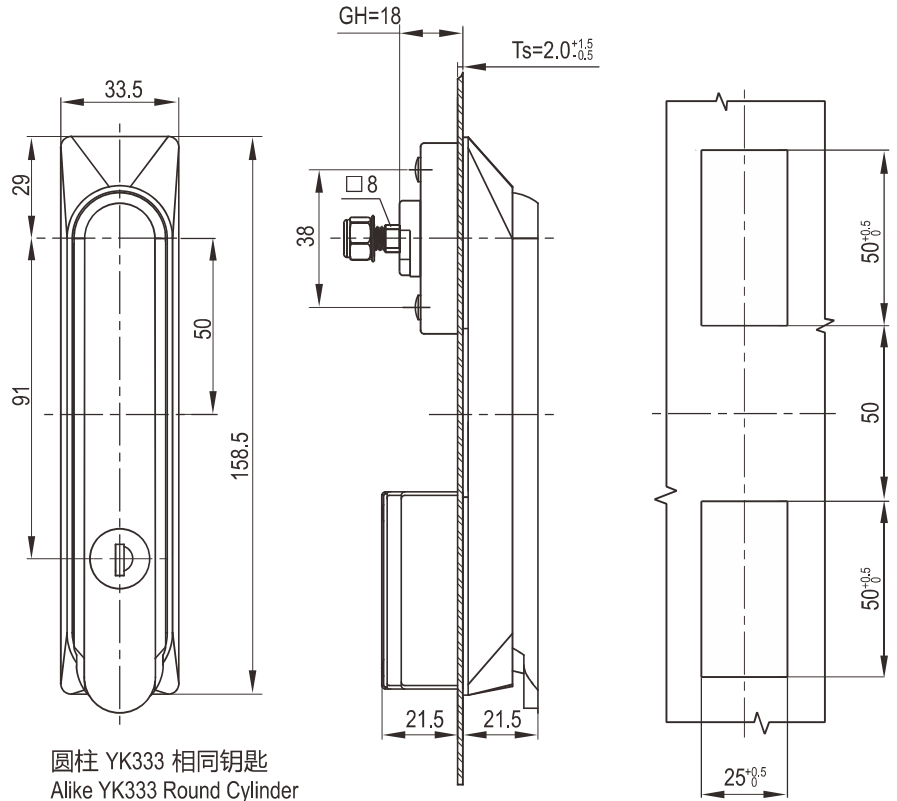
1. 专用钥匙可选 Key different on request.
2. CH751 钥匙可选,CH751 key code on request
3. 可配挂锁 Padlockable on request
4. 默认YK333钥匙 Keyed YK333

目录
Index

锁具 Lock

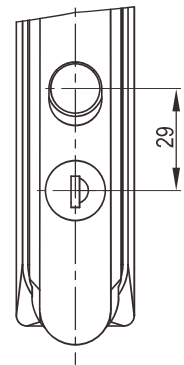
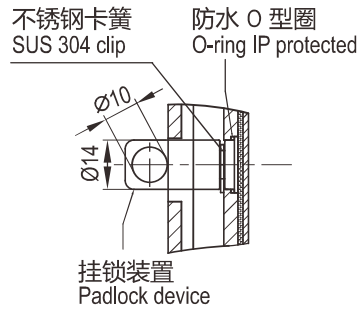
To get product 3D models freely, Please contact info@yeekaco.com

1A-002



圆柱 YK333 相同钥匙
Alike YK333 Round Cylinder

开孔尺寸
Panel Cutout



黑色 PA 塑料锁体, 镀锌钢转轴, 安装紧固件
PA lock body, m.s zinc plated shaft and fixing parts

可选配件 Accessories ref. to page #
1. 锁舌 见页面 9A-001 CAM ref. to page 9A-001

- 备注: Remark
1. 专用钥匙可选 Key different on request.
 2. CH751 钥匙可选, CH751 key code on request
 3. 可配挂锁 Padlockable on request
 4. 默认YK333钥匙 Keyed YK333

锁芯 Cylinder style	Version A(锁舌型 Cam control)	
	有防尘盖 With Dust Cap	无防尘盖 Without Dust Cap
圆柱 YK333 相同钥匙 Alike YK333 Round Cylinder	1101-1001-C	1101-1001-NC

连杆型旋转把手 Rod Control Swinghandle

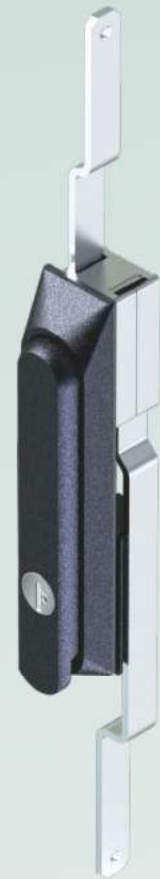
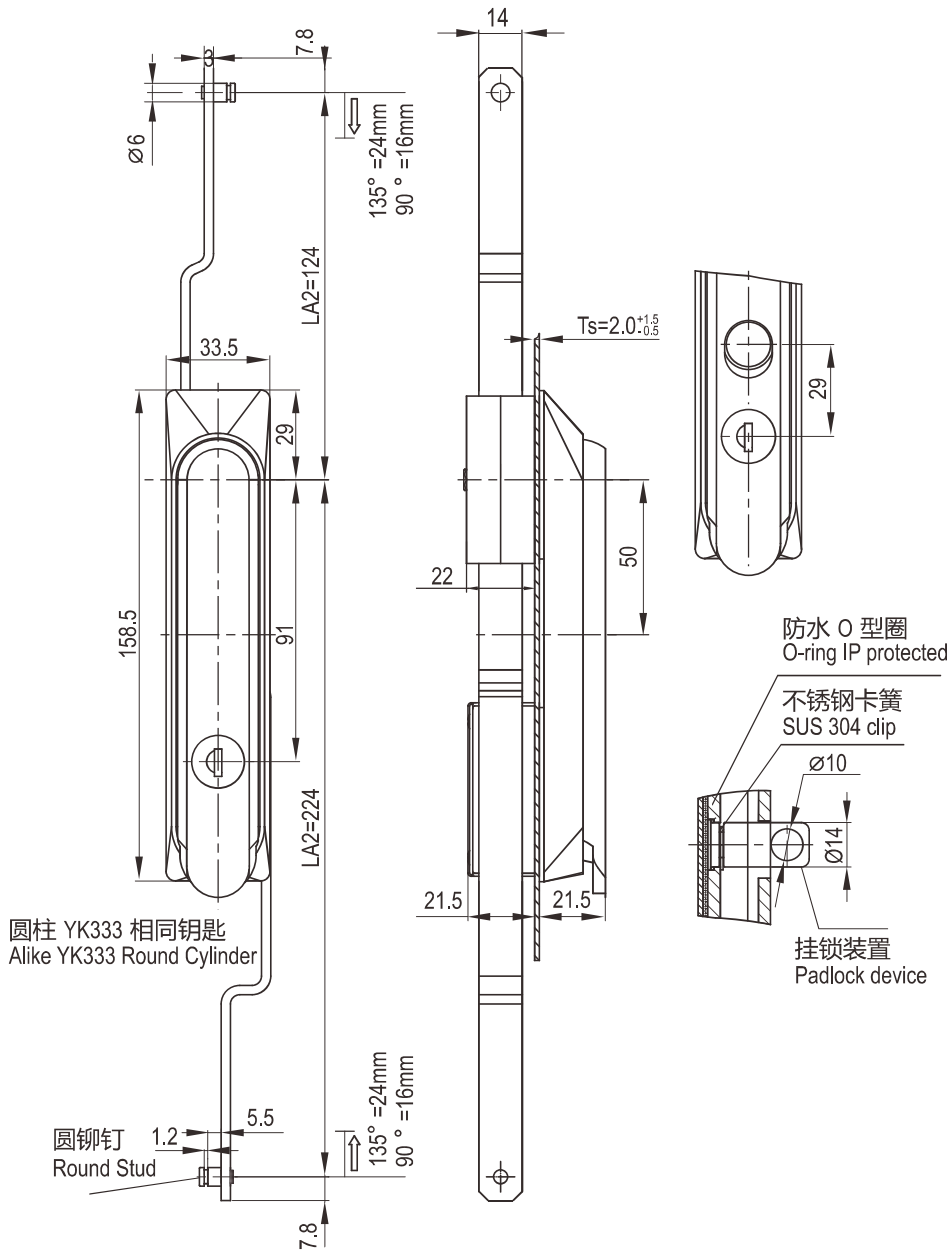
产品系列: 1101

yeeka



目录
Index

锁具
Lock



黑色 PA 塑料锁体, 锌合金拉杆装置, 镀锌钢转轴和拉杆
PA lock body, zinc die rod control, m.s. zinc plated shaft and flat rod.

锁芯 Cylinder style	Version B(两点拉杆型 2P.rod control)		Version C(三点拉杆型 3P.rod control)	
	有防尘盖 With Dust Cap	无防尘盖 Without Dust Cap	有防尘盖 With Dust Cap	无防尘盖 Without Dust Cap
圆柱 YK333 相同钥匙 Alike YK333 Round Cylinder	1101-2001-C	1101-2001-NC	1101-3001-C	1101-3001-NC

可选配件 Accessories ref. to page #

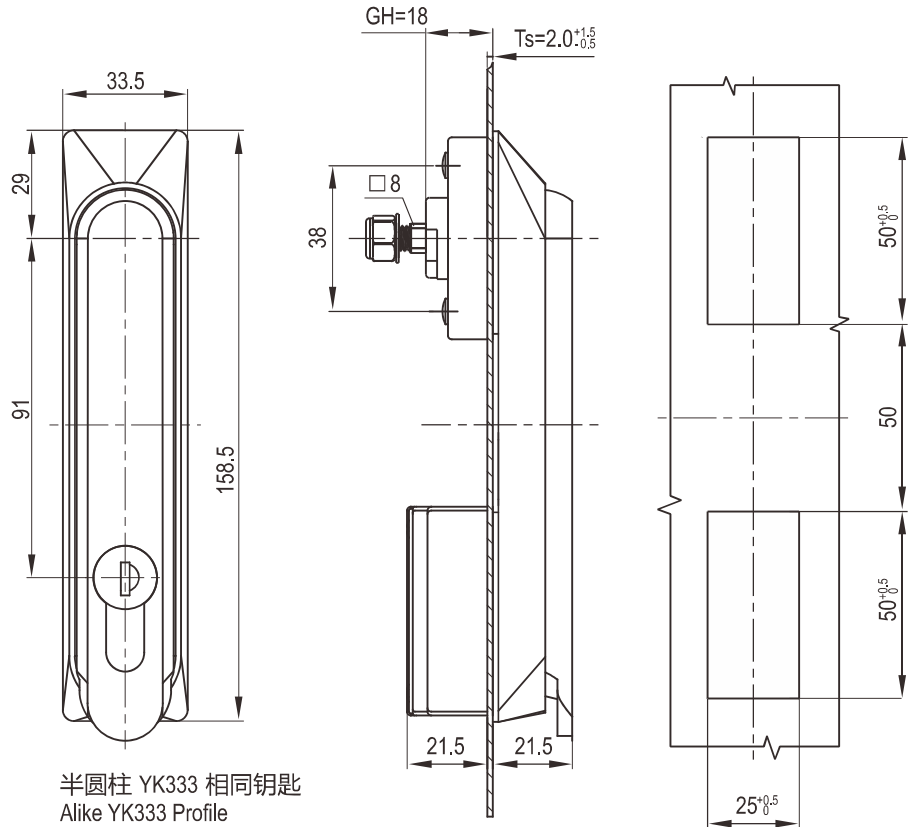
1. 锁舌 见页面 9A-001 CAM ref. to page 9A-001
2. 拉杆装置1190系列 Rod control 1190 series

备注: Remark

1. 专用钥匙可选 Key different on request.
2. CH751 钥匙可选, CH751 key code on request
3. 可配挂锁 Padlockable on request
4. 默认 YK333 钥匙 Keyed YK333

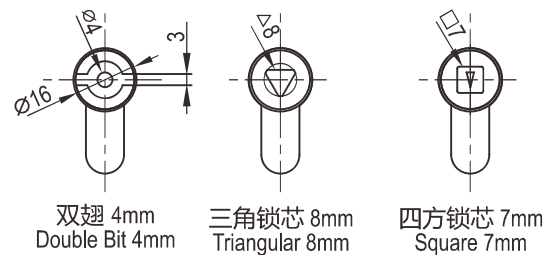
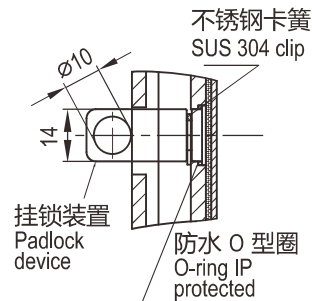
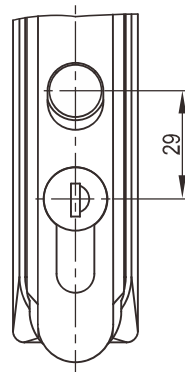
To get product 3D models freely, Please contact info@yeekaco.com

1A-004



半圆柱 YK333 相同钥匙
Alike YK333 Profile
Round Cylinder

开孔尺寸
Panel Cutout



黑色 PA 塑料锁体，镀锌钢转轴，安装紧固件
PA lock body, m.s zinc plated shaft and fixing parts

锁芯 Cylinder style	Version A(锁舌型 Cam control)	
	有防尘盖 With Dust Cap	无防尘盖 Without Dust Cap
半圆柱 YK333 相同钥匙 Alike YK333 Profile Round Cylinder	1101-1P01-C	1101-1P01-NC
双翅 4mm Double Bit 4mm	1101-1P02-C	1101-1P02-NC
四方锁芯 7mm Square 7mm	1101-1P03-C	1101-1P03-NC
三角锁芯 8mm Triangular 8mm	1101-1P04-C	1101-1P04-NC

可选配件 Accessories ref. to page #

1. 锁舌 见页面 9A-001 CAM ref. to page 9A-001

备注: Remark

1. 专用钥匙可选 Key different on request.

2. CH751 钥匙可选, CH751 key code on request

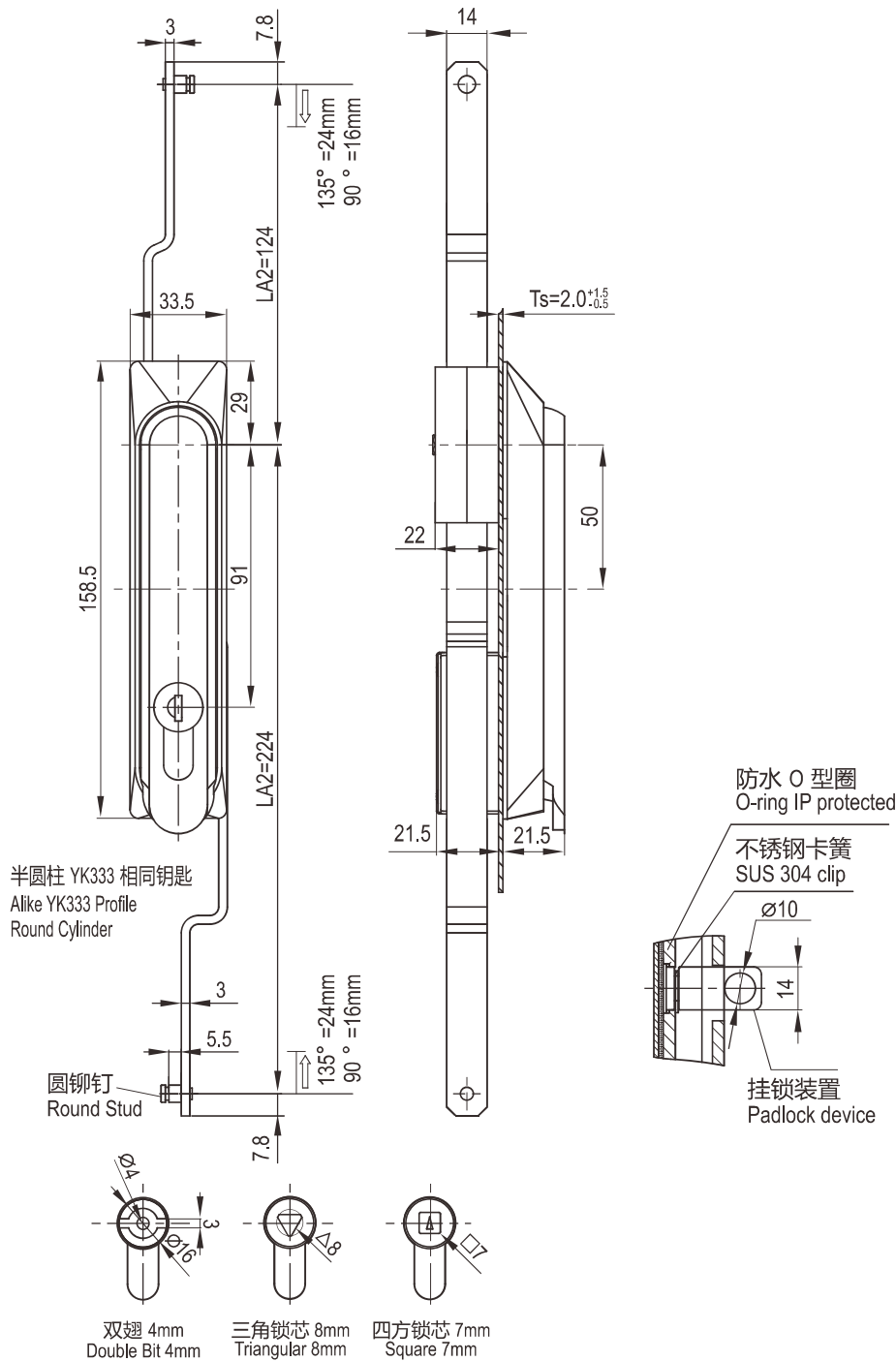
3. 可配挂锁 Padlockable on request

4. 默认 YK333 钥匙 Keyed YK333

连杆型旋转把手 Rod Control Swinghandle

产品系列: 1101

yeeka



目录
Index

锁具
Lock



To get product 3D models freely, Please contact info@yeekaco.com

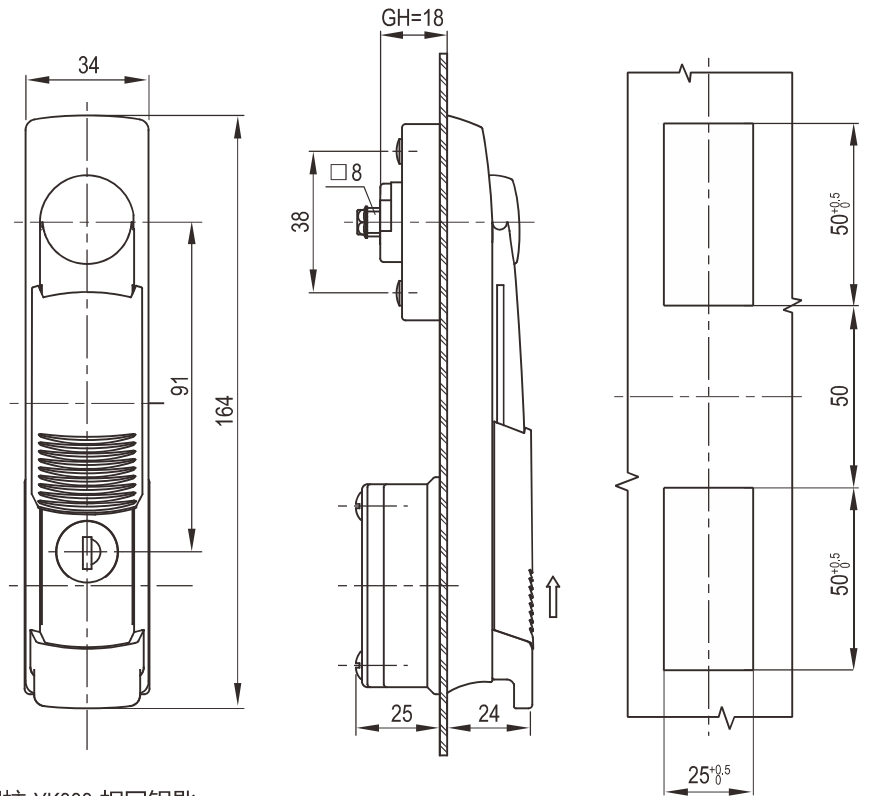
黑色 PA 塑料锁体，锌合金拉杆装置，镀锌钢转轴和拉杆
PA lock body, zinc die rod control, m.s. zinc plated shaft and flat rod.

锁芯 Cylinder style	Version B(两点拉杆型 2P.rod control)		Version C(三点拉杆型 3P.rod control)	
	有防尘盖 With Dust Cap	无防尘盖 Without Dust Cap	有防尘盖 With Dust Cap	无防尘盖 Without Dust Cap
半圆柱 YK333 相同钥匙 Alike YK333 Profile Round Cylinder	1101-2P01-C	1101-2P01-NC	1101-3P01-C	1101-3P01-NC
双翅 4mm Double Bit 4mm	1101-2P02-C	1101-2P02-NC	1101-3P02-C	1101-3P02-NC
四方锁芯 7mm Square 7mm	1101-2P03-C	1101-2P03-NC	1101-3P03-C	1101-3P03-NC
三角锁芯 8mm Triangular 8mm	1101-2P04-C	1101-2P04-NC	1101-3P04-C	1101-3P04-NC

可选配件 Accessories ref. to page #
1. 锁舌 见页面 9A-001 CAM ref. to page 9A-001
2. 拉杆装置1190系列 Rod control 1190 series

备注: Remark
1. 专用钥匙可选 Key different on request.
2. CH751 钥匙可选, CH751 key code on request
3. 可配挂锁 Padlockable on request
4. 默认YK333钥匙 Keyed YK333

1A-006



圆柱 YK333 相同钥匙
Alike YK333 Round Cylinder

开孔尺寸
Panel Cutout

如需获得产品3D模型图，请联系 info@yeekaco.com

可选配件 Accessories ref. to page #
1. 锁舌 见页面 9A-001 CAM ref. to page 9A-001

备注: Remark

1. 专用钥匙可选 Key different on request.
2. CH751 钥匙可选, CH751 key code on request
3. 默认YK333钥匙 Keyed YK333

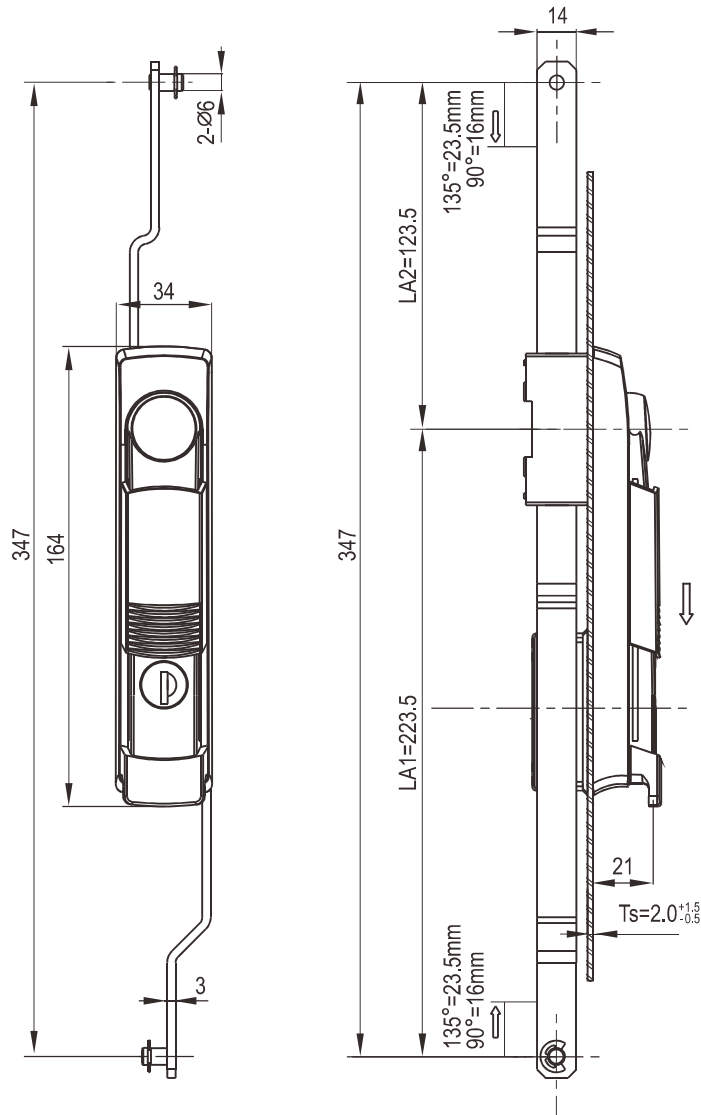
黑色 PA 塑料锁体, 铜转轴 镀锌钢安装紧固件
PA lock body, brass handle shaft, m.s zinc plated fixing parts

锁芯 Cylinder style	Version A(锁舌型 Cam control)
	有防尘盖 With Dust Cap
圆柱 YK333 相同钥匙 Alike YK333 Round Cylinder	1102-1001-C

连杆型旋转把手 Rod Control Swinghandle

产品系列: 1102

yeeka



黑色 PA 塑料锁体, 锌合金拉杆装置, 镀锌钢转轴和拉杆
PA lock body, zinc die casting rod control, m.s. zinc plated shaft and flat rod.

锁芯 Cylinder style	Version B(两点拉杆型 2P.rod control)	Version C(三点拉杆型 3P.rod control)
	有防尘盖 With Dust Cap	有防尘盖 With Dust Cap
圆柱 YK333 相同钥匙 Alike YK333 Round Cylinder	1102-2001-C	1102-3001-C



此产品不对德国,意大利,西班牙,英国市场销售。

This product is not available for selling to the markets of Germany,Italy,Spain,England.

可选配件 Accessories ref. to page #

1. 锁舌 见页面 9A-001 CAM ref. to page 9A-001
2. 拉杆装置1193系列 Rod control 1193 series

备注: Remark

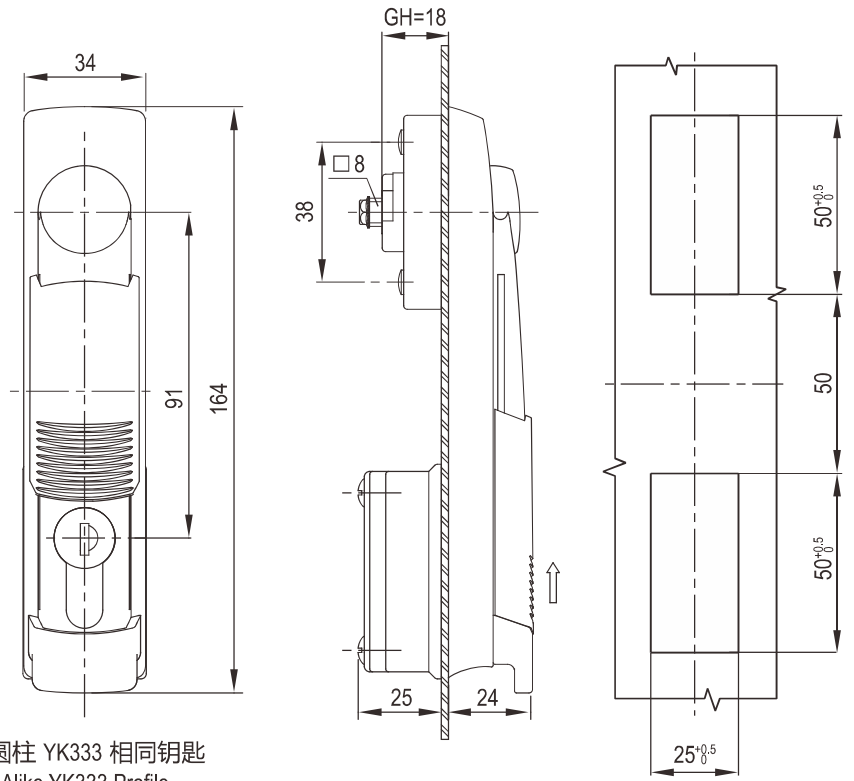
1. 专用钥匙可选 Key different on request.
2. CH751 钥匙可选,CH751 key code on request
3. 默认YK333钥匙 Keyed YK333

目录
Index

锁具 Lock

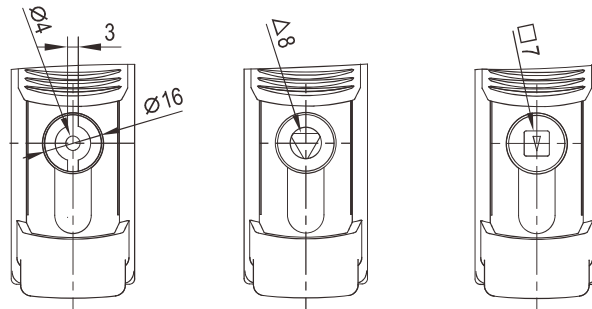
To get product 3D models freely, Please contact info@yeekaco.com

1A-008



半圆柱 YK333 相同钥匙
Alike YK333 Profile
Round Cylinder

开孔尺寸
Panel Cutout



双翅 4mm
Double Bit 4mm

三角锁芯 8mm
Triangular 8mm

四方锁芯 7mm
Square 7mm

黑色 PA 塑料锁体, 铜转轴 镀锌钢安装紧固件
PA lock body, brass handle shaft, m.s zinc plated fixing parts

锁芯 Cylinder style	Version A(锁舌型 Cam control)
	有防尘盖 With Dust Cap
半圆柱 YK333 相同钥匙 Alike YK333 Profile Round Cylinder	1102-1P01-C
双翅 4mm Double Bit 4mm	1102-1P02-C
四方锁芯 7mm Square 7mm	1102-1P03-C
三角锁芯 8mm Triangular 8mm	1102-1P04-C

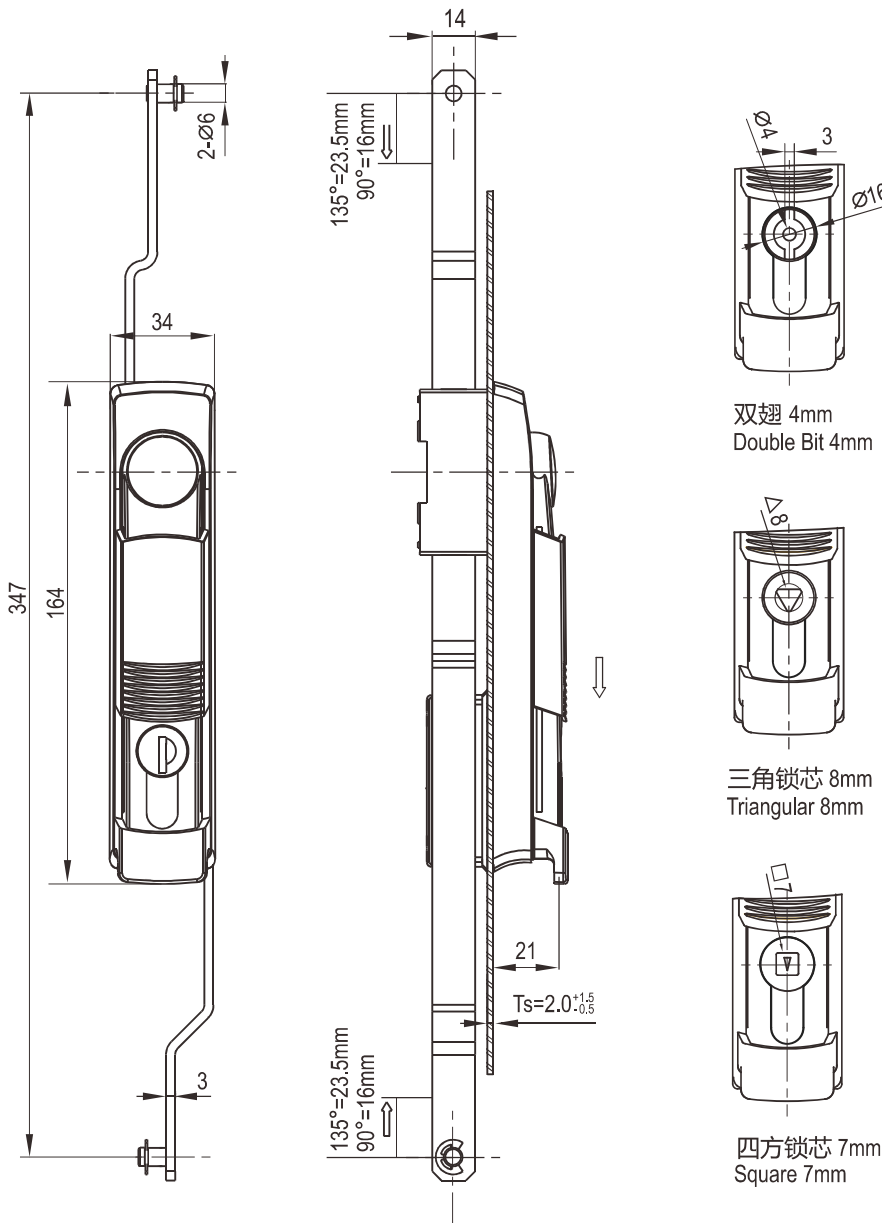
可选配件 Accessories ref. to page #
1. 锁舌 见页面 9A-001 CAM ref. to page 9A-001

备注: Remark
1. 专用钥匙可选 Key different on request.
2. CH751 钥匙可选, CH751 key code on request
3. 默认YK333钥匙 Keyed YK333

连杆型旋转把手 Rod Control Swinghandle

产品系列: 1102

yeeka



RL IP65 NEW

目录
Index

锁具
Lock



黑色 PA 塑料锁体，锌合金拉杆装置，镀锌钢转轴和拉杆
PA lock body, zinc die casting rod control, m.s. zinc plated shaft and flat rod.

锁芯 Cylinder style	Version B(两点拉杆型 2P.rod control)	Version C(三点拉杆型 3P.rod control)
	有防尘盖 With Dust Cap	有防尘盖 With Dust Cap
半圆柱 YK333 相同钥匙 Alike YK333 Profile Round Cylinder	1102-2P01-C	1102-3P01-C
双翅 4mm Double Bit 4mm	1102-2P02-C	1102-3P02-C
四方锁芯 7mm Square 7mm	1102-2P03-C	1102-3P03-C
三角锁芯 8mm Triangular 8mm	1102-2P04-C	1102-3P04-C

此产品不对德国,意大利,西班牙,英国市场销售。

This product is not available for selling to the markets of Germany,Italy,Spain,England.

可选配件 Accessories ref. to page #

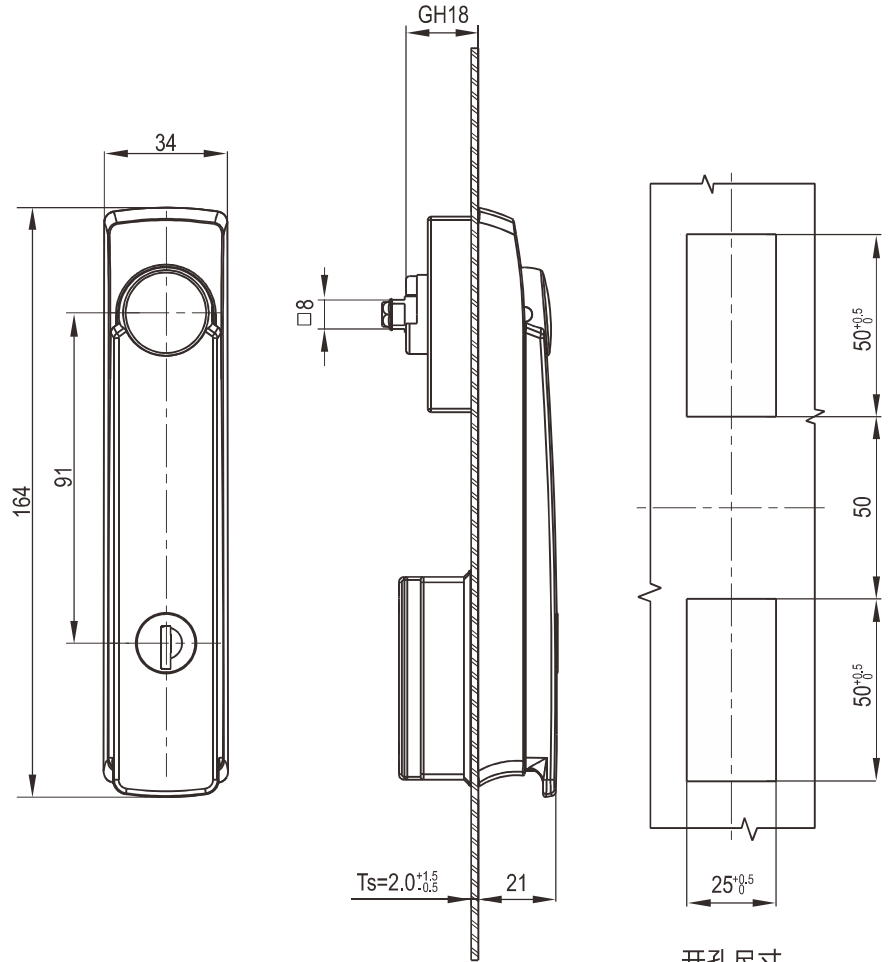
1. 锁舌 见页面 9A-001 CAM ref. to page 9A-001
2. 拉杆装置1193系列 Rod control 1193 series

备注: Remark

1. 专用钥匙可选 Key different on request.
2. CH751 钥匙可选,CH751 key code on request
3. 默认YK333钥匙 Keyed YK333

To get product 3D models freely, Please contact info@yeekaco.com

1A-010



开孔尺寸
Panel Cutout

黑色PA塑料锁体,喷塑锌合金手柄、转轴
Black PA body, zinc die handle black powder coated.

可选配件 Accessories ref. to page #
1. 锁舌 见页面 9A-001 CAM ref. to page 9A-001

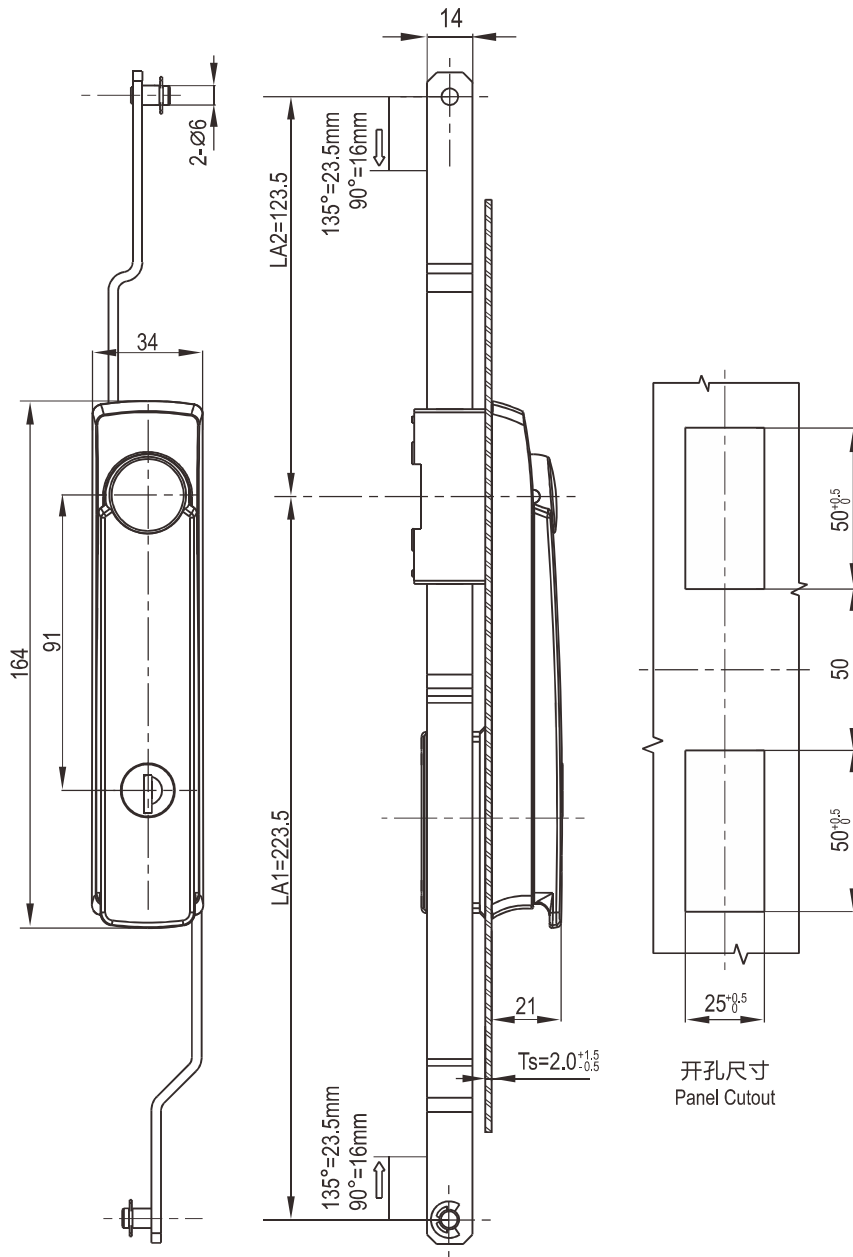
- 备注: Remark
1. 专用钥匙可选 Key different on request.
 2. CH751 钥匙可选, CH751 key code on request
 3. 可配挂锁 Padlockable on request
 4. 默认YK333钥匙 Keyed YK333

Version A(锁舌型 Cam control)	
锌合金手柄,塑料锁壳, Zinc die handle,PA lock housing	1102-1002-NC

连杆型旋转把手 Rod Control Swinghandle

产品系列: 1102

yeeka



黑色PA塑料锁体, 喷塑锌合金手柄、转轴

Black PA body, zinc die handle black powder coated, zinc die shaft and rod control, m.s. zinc plated flat rod

	Version B(两点拉杆型 2P.rod control)	Version C(三点拉杆型 3P.rod control)
锌合金手柄, 塑料锁壳, Zinc die handle, PA lock housing	1102-2002-NC	1102-3002-NC

此产品不对德国,意大利,西班牙,英国市场销售。

This product is not available for selling to the markets of Germany, Italy, Spain, England.

可选配件 Accessories ref. to page #

1. 锁舌 见页面 9A-001 CAM ref. to page 9A-001
2. 拉杆装置1193系列 Rod control 1193 series

备注: Remark

1. 专用钥匙可选 Key different on request.
2. CH751 钥匙可选, CH751 key code on request
3. 可配挂锁 Padlockable on request
4. 默认YK333钥匙 Keyed YK333

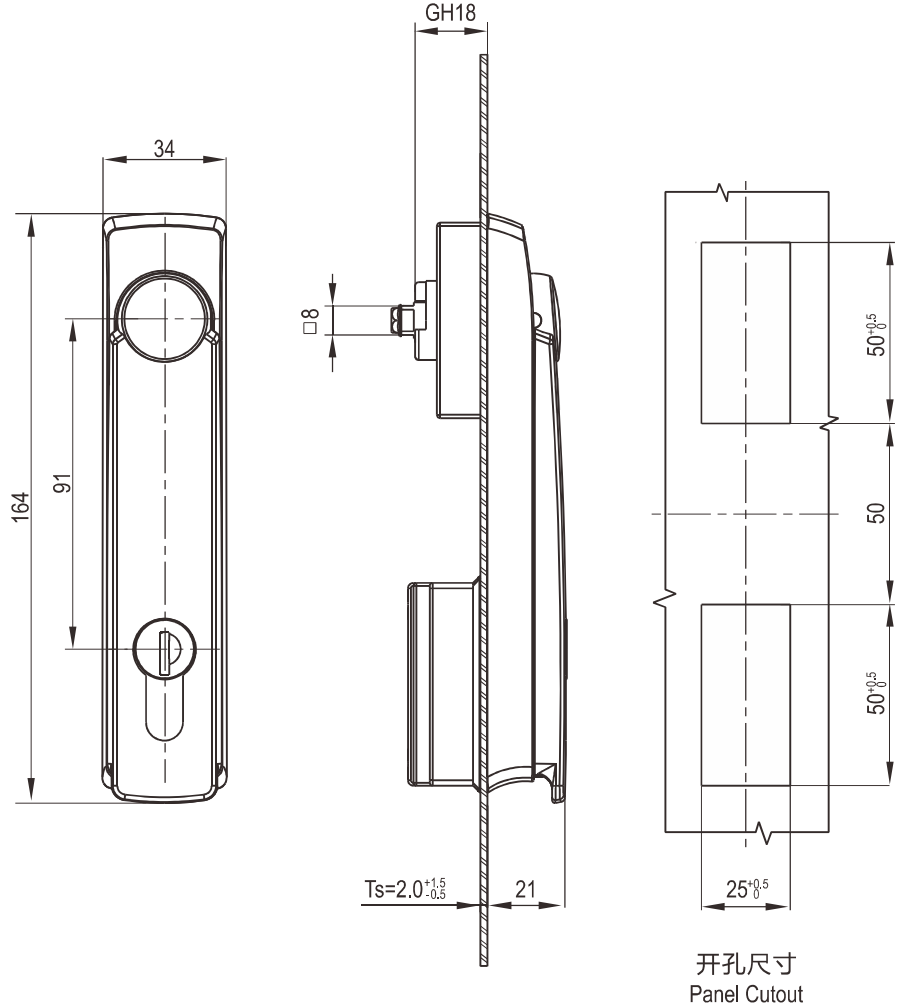
目录
Index

锁具 Lock



To get product 3D models freely, Please contact info@yeekaco.com

1A-012



黑色PA塑料锁体,喷塑锌合金手柄、转轴.

Black PA body, zinc die handle and shaft black powder coated

可选配件 Accessories ref. to page #

1. 锁舌 见页面 9A-001 CAM ref. to page 9A-001

备注: Remark

1. 专用钥匙可选 Key different on request.

2. CH751 钥匙可选, CH751 key code on request

3. 可配挂锁 Padlockable on request

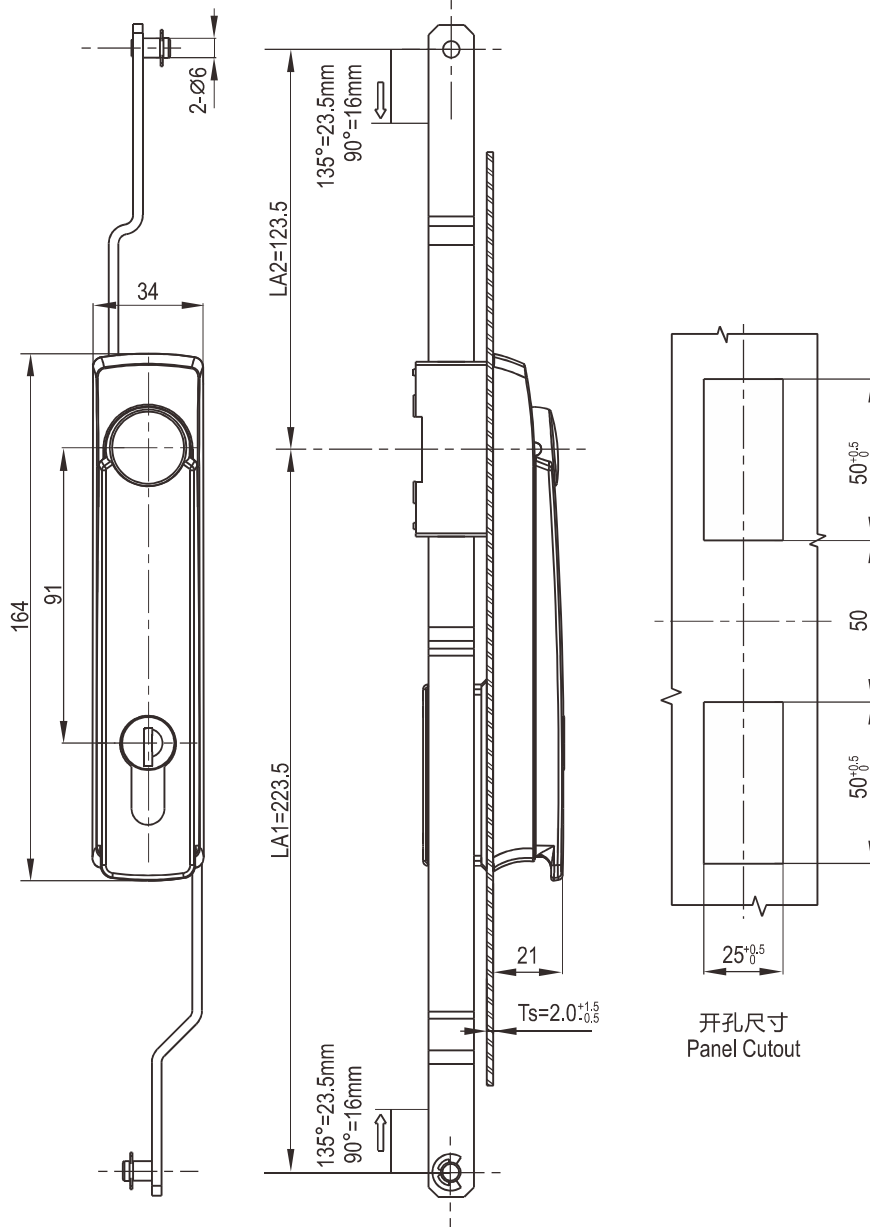
4. 默认YK333钥匙 Keyed YK333

锁芯 Cylinder style	Version A(锁舌型 Cam control)
半圆柱 YK333 相同钥匙 Alike YK333 Profile Round Cylinder	1102-1P01-NC
双翅 4mm Double Bit 4mm	1102-1P02-NC
四方锁芯 7mm Square 7mm	1102-1P03-NC
三角锁芯 8mm Triangular 8mm	1102-1P04-NC

连杆型旋转把手 Rod Control Swinghandle

产品系列: 1102

yeeka



开孔尺寸
Panel Cutout

黑色PA塑料锁体,喷塑锌合金手柄、转轴。
Black PA body, zinc die handle black powder coated,
zinc die shaft and rod control, m.s. zinc plated flat rod

锁芯 Cylinder style	Version B(两点拉杆型 2P.rod control)	Version C(三点拉杆型 3P.rod control)
半圆柱 YK333 相同钥匙 Alike YK333 Profile Round Cylinder	1102-2P01-NC	1102-3P01-NC
双翅 4mm Double Bit 4mm	1102-2P02-NC	1102-3P02-NC
四方锁芯 7mm Square 7mm	1102-2P03-NC	1102-3P03-NC
三角锁芯 8mm Triangular 8mm	1102-2P04-NC	1102-3P04-NC

此产品不对德国,意大利,西班牙,英国市场销售。

This product is not available for selling to the markets of Germany,Italy,Spain,England.

可选配件 Accessories ref. to page #

1. 锁舌 见页面 9A-001 CAM ref. to page 9A-001
2. 拉杆装置1193系列 Rod control 1193 series

备注: Remark

1. 专用钥匙可选 Key different on request.
2. CH751 钥匙可选,CH751 key code on request
3. 可配挂锁 Padlockable on request
4. 默认YK333钥匙 Keyed YK333

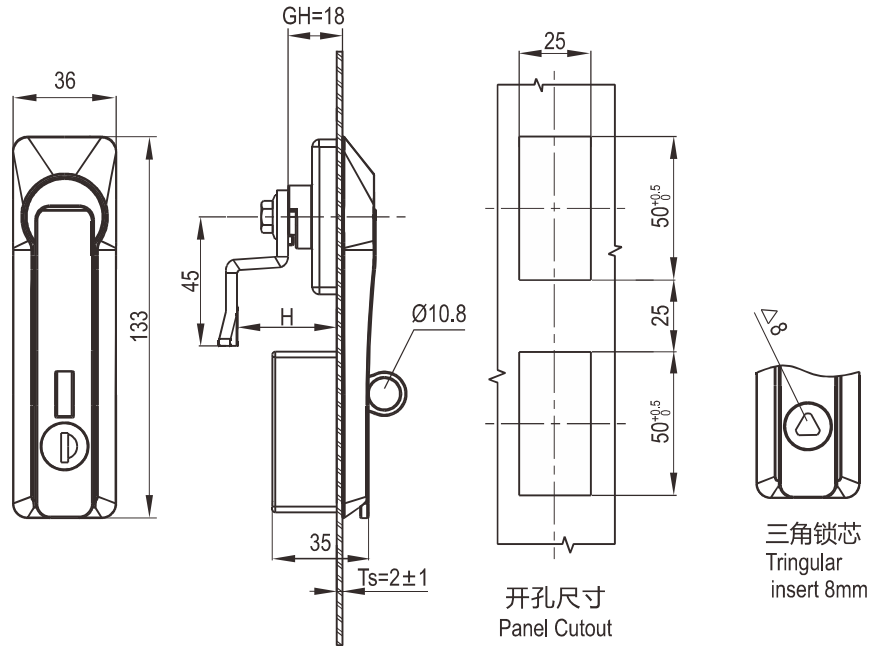
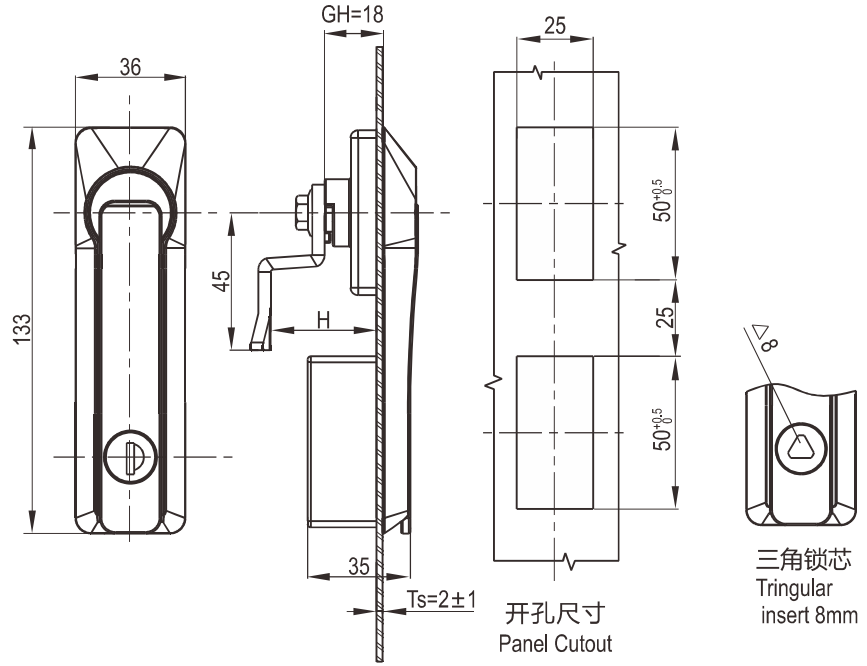
目录
Index

锁具
Lock



To get product 3D models freely, Please contact info@yeekaco.com

1A-014



锌合金锁体，表面处理可做喷塑及电镀
Zinc die body, black powder coated or black E-coated.

锁芯 Cylinder style	Version A(锁舌型 Cam control)		
	电泳黑 Black E-Coated	喷塑亚光黑 Black powder coated	
YK333 锁芯 YK333 cylinder	带挂 Padlockable	1103-1001-50-P	1103-1001-10-P
	不带挂 Without padlock	1103-1001-50-NP	1103-1001-10-NP
三角锁芯 Triangle insert	带挂 Padlockable	1103-1003-50-P	1103-1003-10-P
	不带挂 Without padlock	1103-1003-50-NP	1103-1003-10-NP

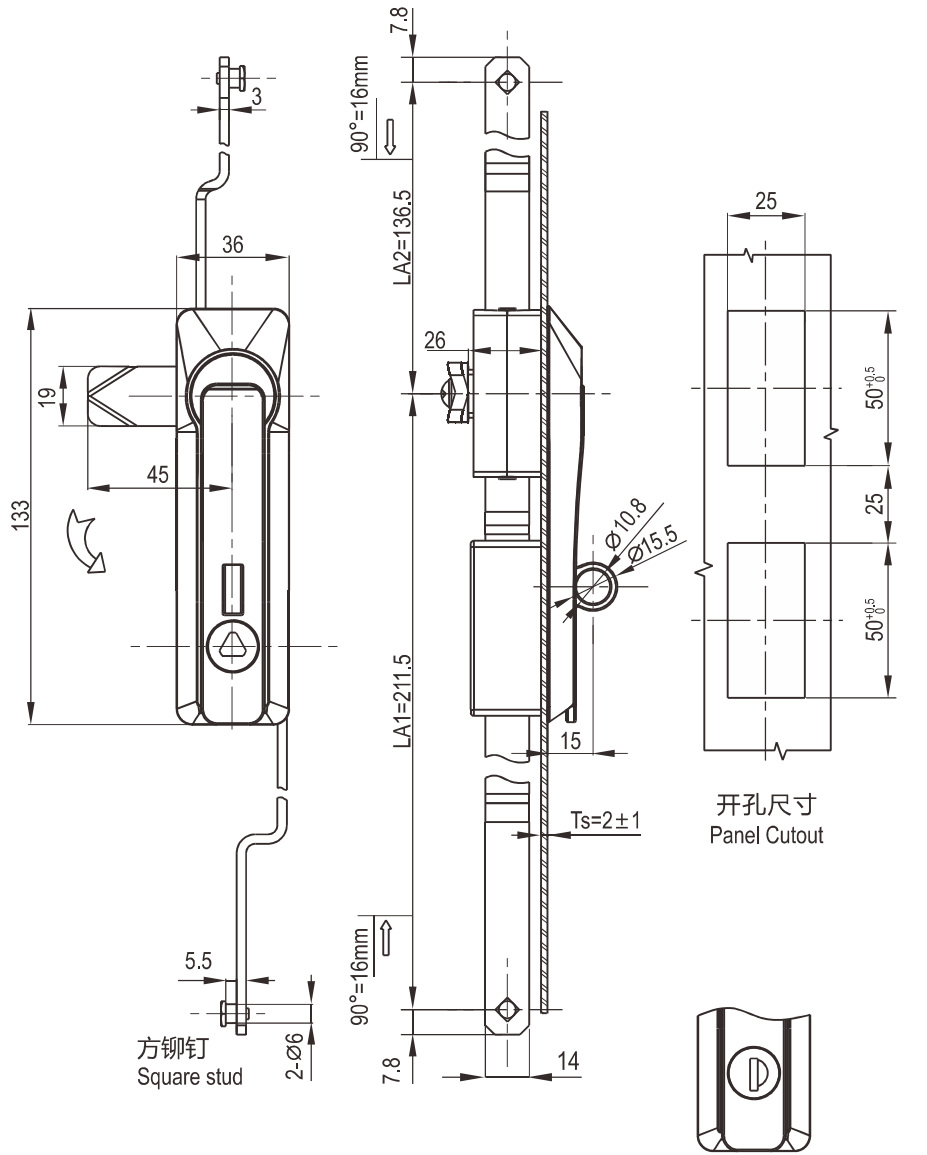
可选配件 Accessories ref. to page #
1. 锁舌 见页面 9A-001 CAM ref. to page 9A-001

备注: Remark
1. 专用钥匙可选 Key different on request.
2. CH751 钥匙可选, CH751 key code on request
3. 可配挂锁 Padlockable on request
4. 默认YK333钥匙 Keyed YK333

连杆型旋转把手 Rod Control Swinghandle

产品系列: 1103

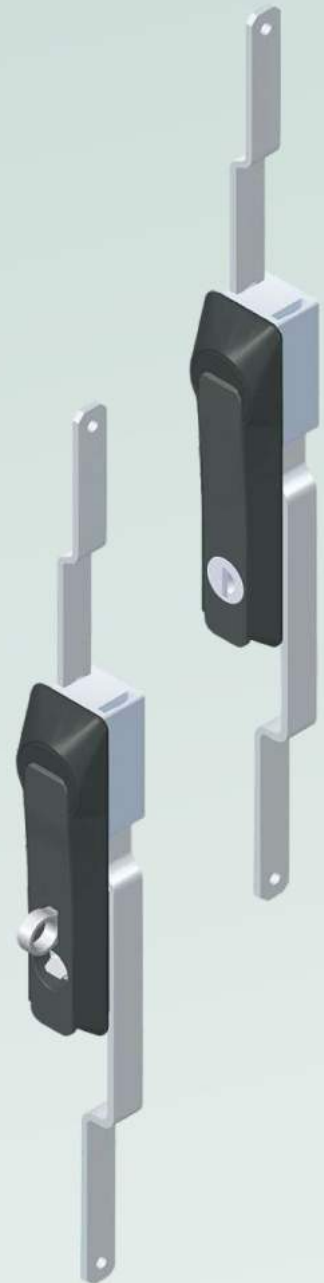
yeeka



锁背可换成带K333锁芯
YK333 round cylinder available

锌合金锁体，锌合金拉杆装置，镀锌钢拉杆，锁体表面可做 喷塑与电泳黑
Zinc die body and rod control, m.s. zinc plated cam, black powder coated or E-coated

锁芯 Cylinder style		Version B(两点拉杆型 2P.rod control)		Version C(三点拉杆型 3P.rod control)	
		电泳黑 Black E-Coated	喷塑亚光黑 Black powder coated	电泳黑 Black E-Coated	喷塑亚光黑 Black powder coated
YK333 锁芯 YK333 cylinder	带挂 Padlockable	1103-2001-50-P	1103-2001-10-P	1103-3001-50-P	1103-3001-10-P
	不带挂 Without padlock	1103-2001-50-NP	1103-2001-10-NP	1103-3001-50-NP	1103-3001-10-NP
三角锁芯 Triangle insert	带挂 Padlockable	1103-2003-50-P	1103-2003-10-P	1103-3003-50-P	1103-3003-10-P
	不带挂 Without padlock	1103-2003-50-NP	1103-2003-10-NP	1103-3003-50-NP	1103-3003-10-NP



可选配件 Accessories ref. to page #

1. 锁舌 见页面 9A-001 CAM ref. to page 9A-001
2. 拉杆装置1191系列 Rod control 1191 series

备注: Remark

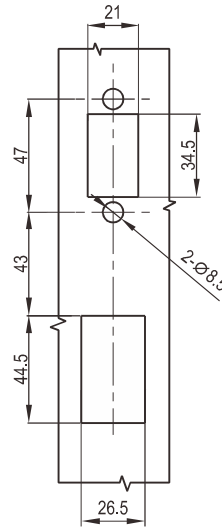
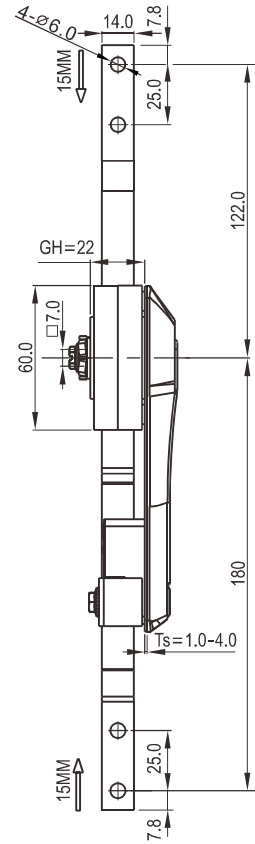
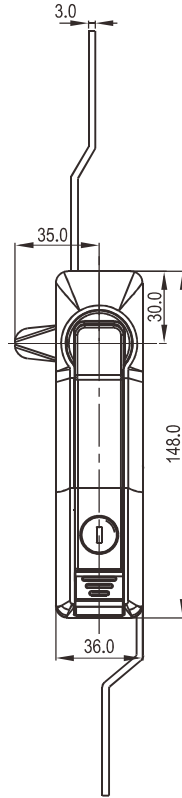
1. 专用钥匙可选 Key different on request.
2. CH751 钥匙可选, CH751 key code on request
3. 可配挂锁 Padlockable on request
4. 默认YK333钥匙 Keyed YK333

目录
Index

锁具
Lock

To get product 3D models freely, Please contact info@yeekaco.com

1A-016



开孔尺寸
Panel Cutout

锌合金锁体，表面处理可做喷塑及电镀

Zinc die body, black powder coated or satin chrome plated

Version A(锁舌型 Cam control)		Version B(两点拉杆型 2P.rod control)		Version C(三点拉杆型 3P.rod control)	
纳米喷漆(银亚光) NM spray painting (matte silver)	喷塑亚光黑 Black powder coated	纳米喷漆(银亚光) NM spray painting (matte silver)	喷塑亚光黑 Black powder coated	纳米喷漆(银亚光) NM spray painting (matte silver)	喷塑亚光黑 Black powder coated
1104-1001-52R	1104-1001-10R	1104-2001-52R	1104-2001-10R	1104-3001-52R	1104-3001-10R

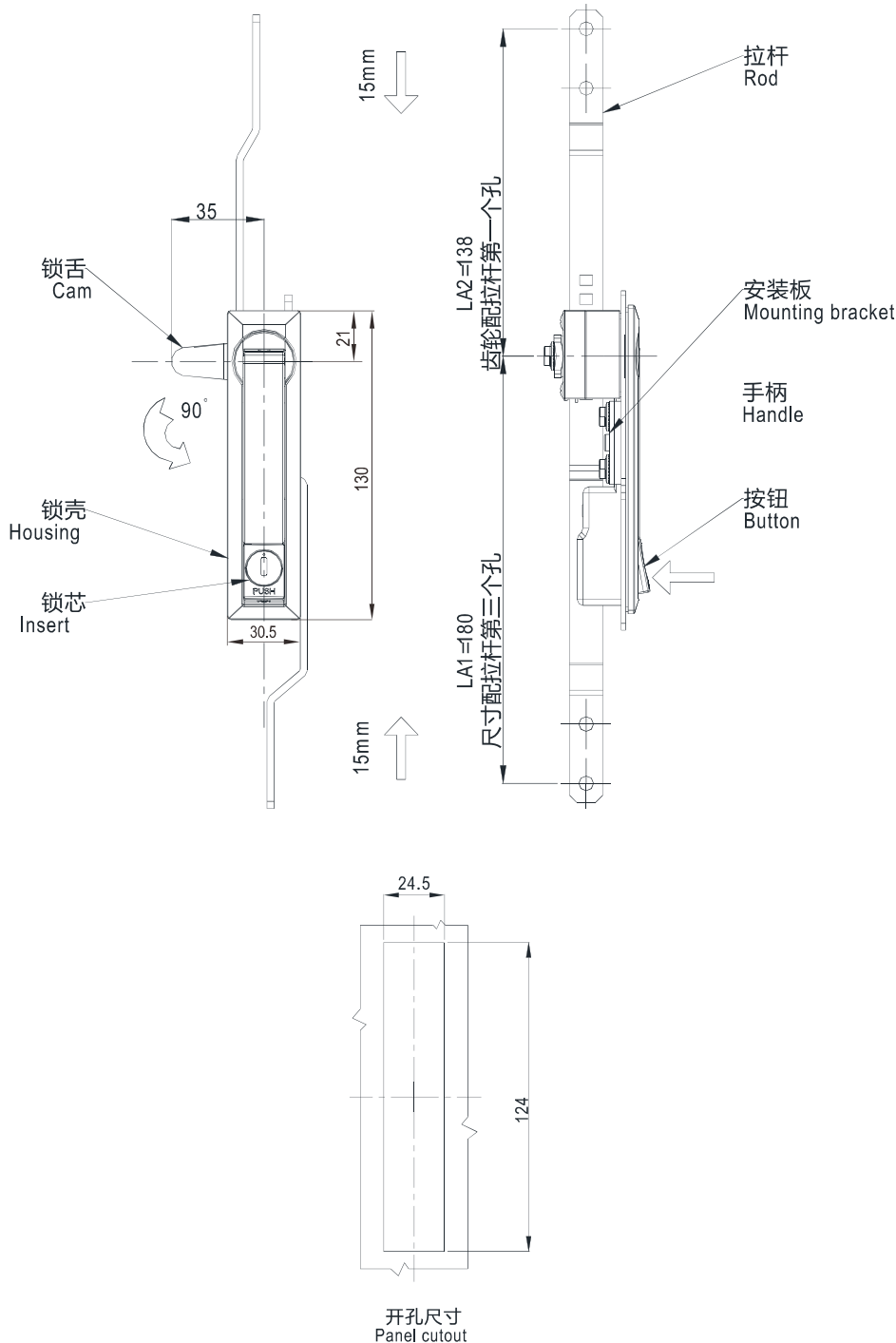
备注: Remark

1. 默认手柄右转开启 Default : Right Hand

连杆型旋转把手 Rod Control Swinghandle

产品系列: 1105

yeeka



RL IP64

NEW



目录
Index

锁具
Lock

锌合金锁体, 表面处理可做喷塑及电镀
Zinc die body, black powder coated or satin chrome

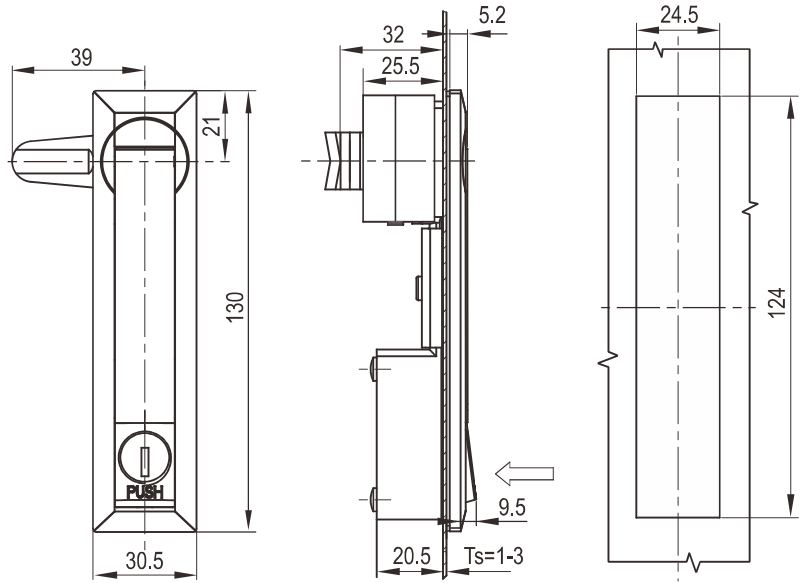
Version C(三点拉杆型 3P.rod control)

纳米喷漆(银亚光) NM spray painting(matte silver)	喷塑亚光黑 Black powder coated
1105-3101-52	1105-3101-10

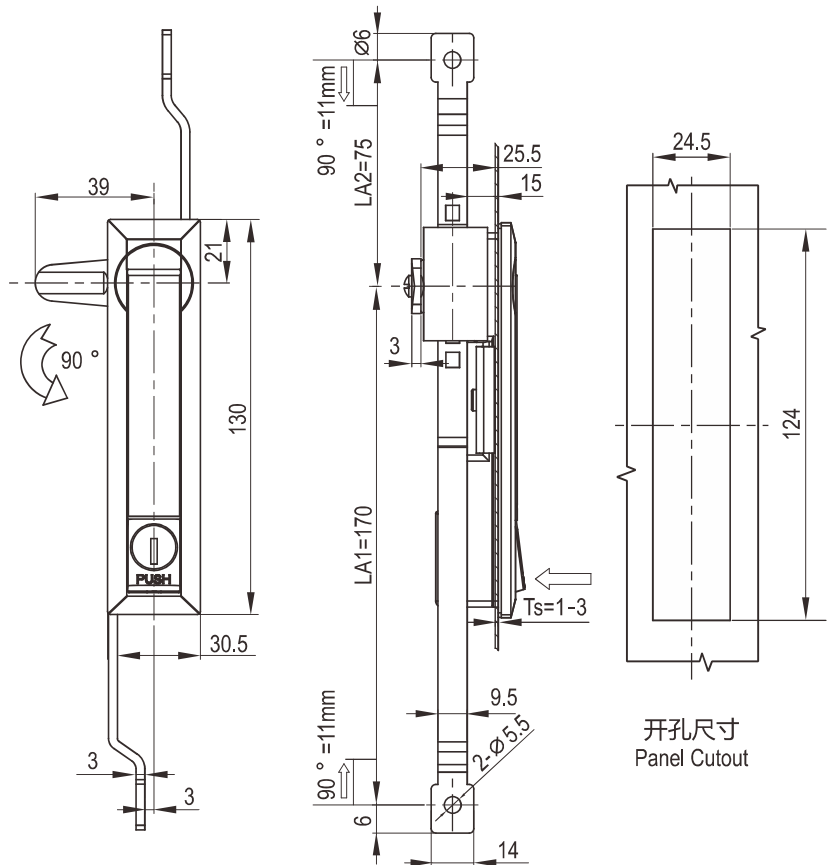
To get product 3D models freely, Please contact info@yeekaco.com

1A-018

RL IP64 NEW



开孔尺寸
Panel Cutout



开孔尺寸
Panel Cutout

锌合金锁体，表面处理可做喷塑及电镀
Zinc die body, black powder coated or satin chrome

Version A(锁舌型 Cam control)		Version C(三点拉杆型 3P.rod control)	
纳米喷漆(银亚光) NM spray painting(matte silver)	喷塑亚光黑 Black powder coated	纳米喷漆(银亚光) NM spray painting(matte silver)	喷塑亚光黑 Black powder coated
1105-1001-52	1105-1001-10	1105-3001-52	1105-3001-10

旋转把手 Swinghandle

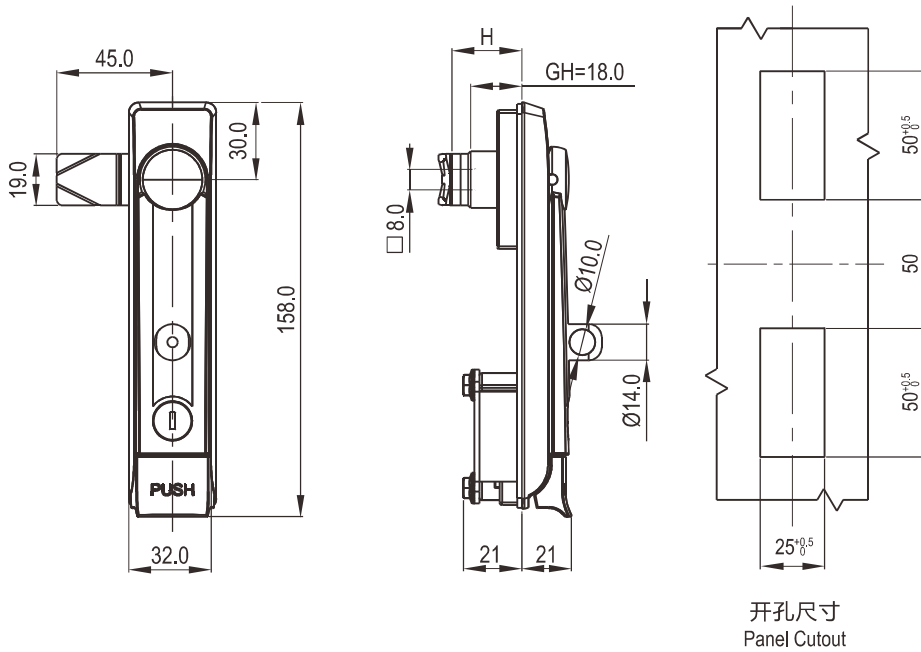
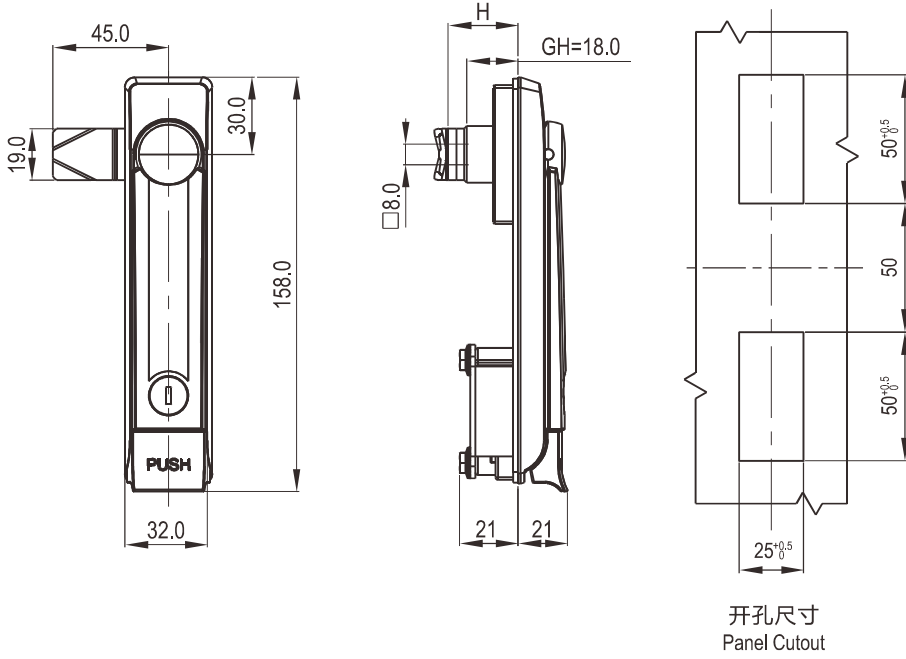
产品系列: 1106

yeeka



目录
Index

锁具
Lock



锌合金手柄、锁壳、按钮；镀锌锁舌、传动条。表面处理可做喷塑及电镀
Zinc die handle, housing and button ; m.s. zinc plated cam and control rod. powder coated or chrome plating

Version A(锁舌型 Cam control)		
	带挂 Padlockable	不带挂 Without padlock
麻面黑 Black Textured powder coated	1106-1001-20-P	1106-1001-20

可选配件 Accessories ref. to page #

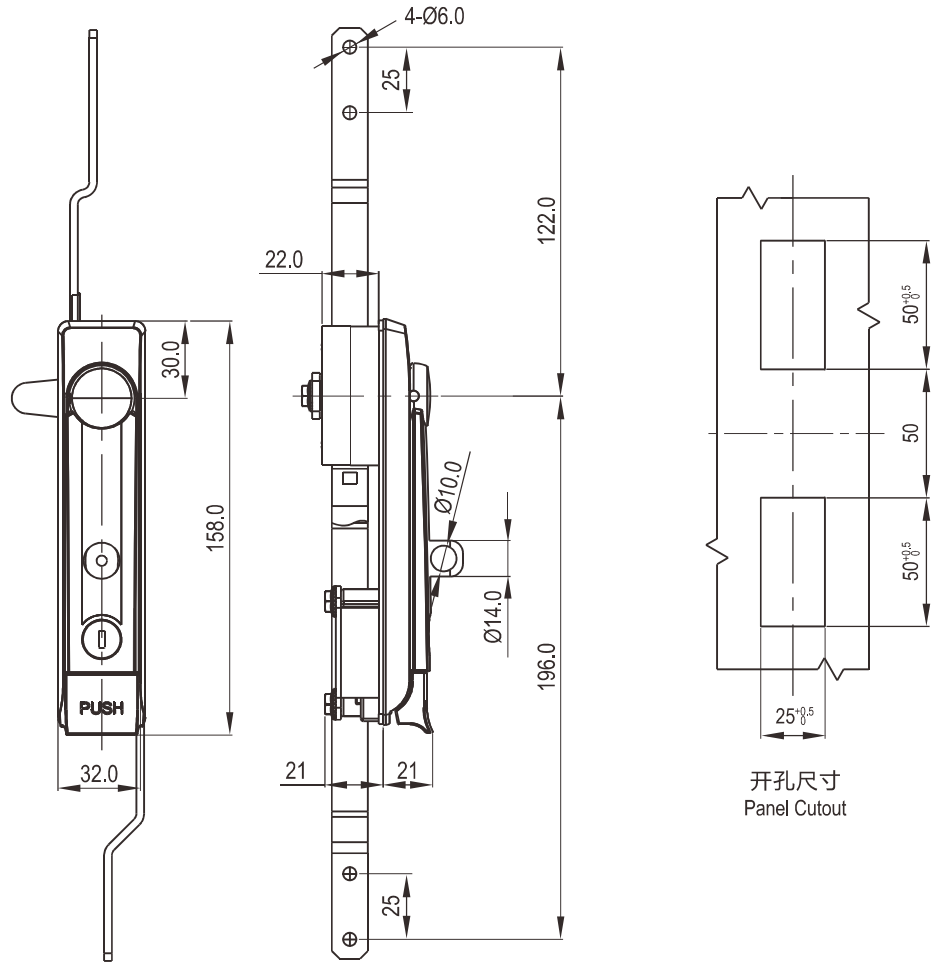
1. 锁舌 见页面 9A-001
CAM ref. to page 9A-001
2. 配不带定位点锁舌
With non-stopper cam.

备注: Remark

1. 可配挂锁 Padlockable on request

To get product 3D models freely, Please contact info@yeekaco.com

1A-020



开孔尺寸
Panel Cutout

可选配件 Accessories ref. to page #

1. 锁舌 见页面 9A-001 CAM ref. to page 9A-001

备注: Remark

1. 可配挂锁 Padlockable on request

锌合金手柄、锁壳、按钮；镀锌锁舌、传动条。表面处理可做喷塑及电镀

Zinc die handle, housing and button ; m.s. zinc plated cam and control rod. powder coated or chrome plating

Version C(三点拉杆型 3P.rod control)

	带挂 Padlockable	不带挂 Without padlock
麻面黑 Black Textured powder coated	1106-3001-20-P	1106-3001-20

连杆型旋转把手 Rod Control Swinghandle

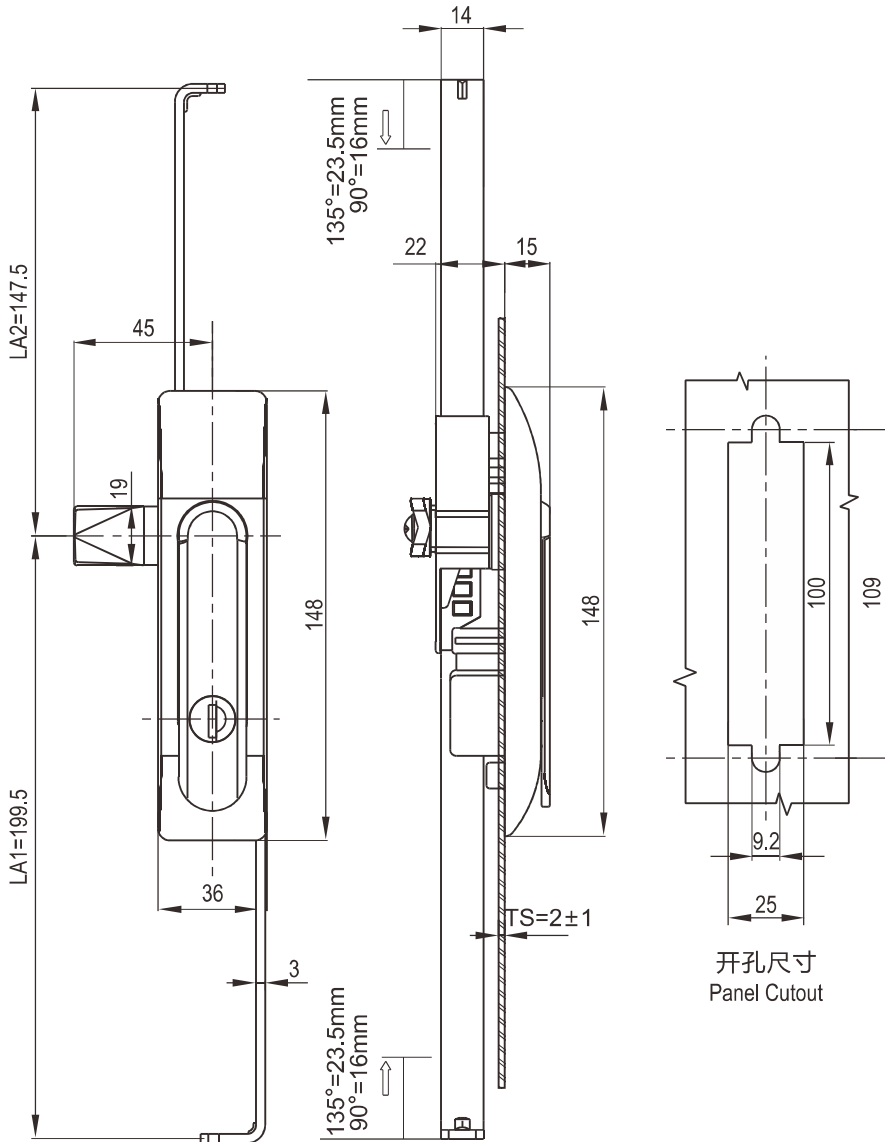
产品系列: 1107

yeeka



目录
Index

锁具
Lock



可选配件 Accessories ref. to page #

1. 锁舌 见页面 9A-001
CAM ref. to page 9A-001

备注: Remark

1. 专用钥匙可选 Key different on request.
2. CH751 钥匙可选, CH751 key code on request
3. 默认YK333钥匙 Keyed YK333

黑色 PA 或锌合金锁壳, 锌合金手柄, 镀锌钢传动条
Black PA or zinc die housing; zinc die handle black powder coated; m.s. zinc plated control flat rod

锁芯 Cylinder style	全锌合金 Zinc Die		锌合金手柄, 塑料锁壳 Zinc die handle, PA lock housing	
	Version B(两点拉杆型 2P.rod control)	Version C(三点拉杆型 3P.rod control)	Version B(两点拉杆型 2P.rod control)	Version C(三点拉杆型 3P.rod control)
圆柱 YK333 相同钥匙 Alike YK333 Round Cylinder	1107-2P01-20	1107-3P01-20	1107-2001-20	1107-3001-20

To get product 3D models freely, Please contact info@yeekaco.com

1A-022



产品正在开发中
2020年12月份开始供
Under development,
shall be available on
December, 2020.



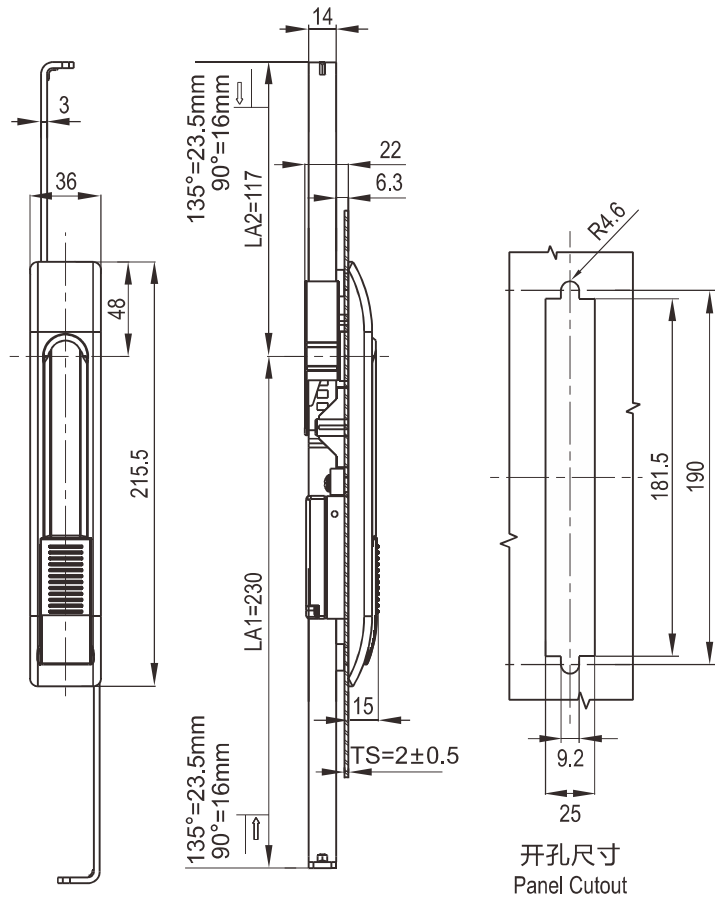
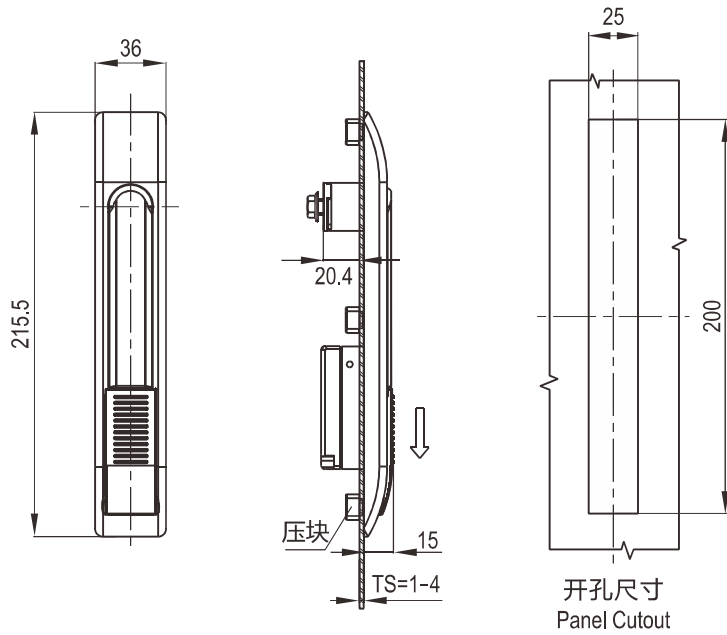
产品正在开发中
2020年12月份开始供
Under development,
shall be available on
December, 2020.

可选配件 Accessories ref. to page #

1. 锁舌 见页面 9A-001
CAM ref. to page 9A-001

备注: Remark

1. 专用钥匙可选 Key different on request.
2. CH751 钥匙可选, CH751 key code on request



黑色 PA , 锌合金手柄, 镀锌钢传动条。

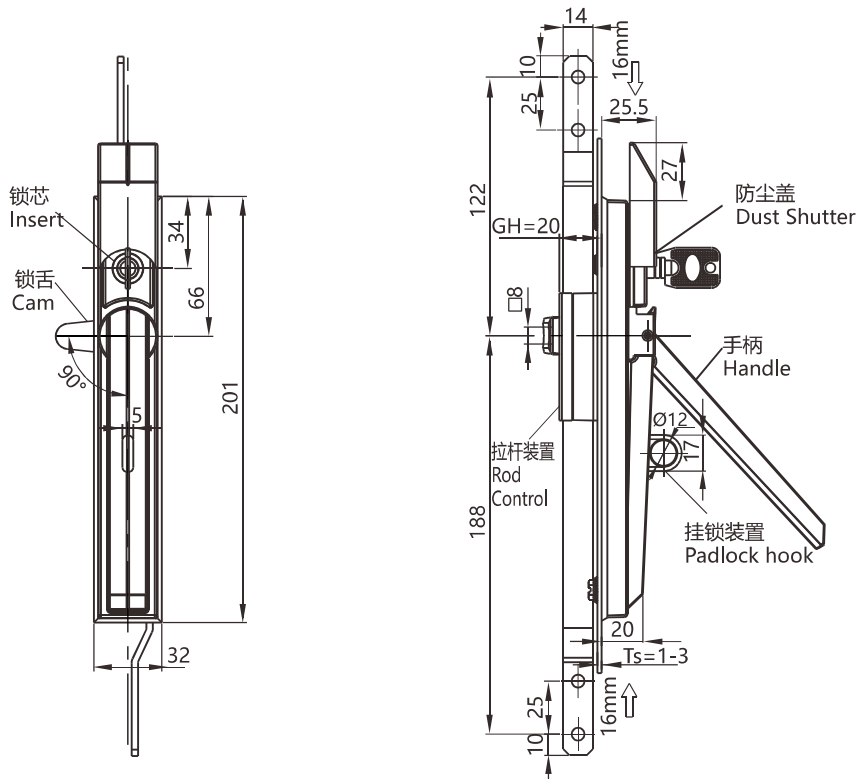
Black PA housing ; zinc die handle black powder coated ; m.s. zinc plated control flat rod

Version A(锁舌型 Cam control)	Version C(三点拉杆型 3P.rod control)
麻面黑 Black textured powder coated	麻面黑 Black Textured powder coated
1108-1001-20	1108-3001-20

连杆型旋转把手 Rod Control Swinghandle

产品系列: 1110

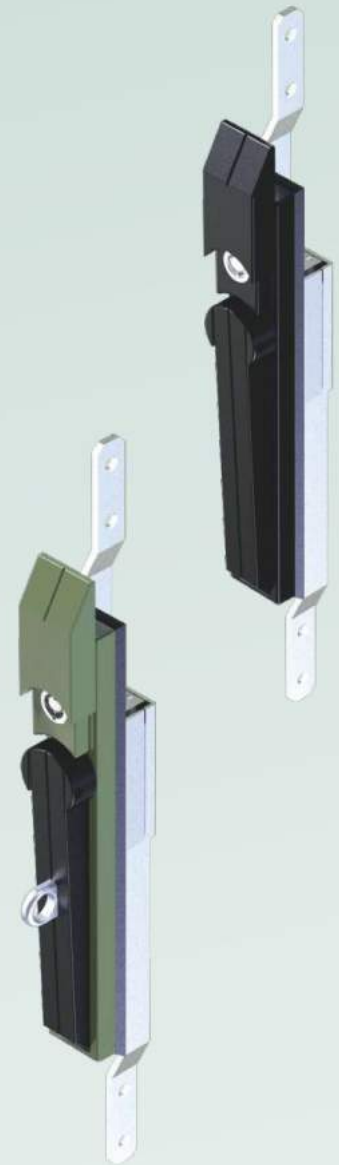
yeeka



开孔尺寸
Panel cutout

锌合金锁壳 手柄, 不锈钢挂锁座, 表面处理可做喷塑亚光黑
Zinc housing handle, SUS316 pedlock device, black powder coated.

RL IP40



备注: Remark
1. 可配挂锁 Padlockable on request

Version C(三点拉杆型 3P.rod control)	铁锁舌 M.S.plated Cam	锌合金锁舌 Zinc Cam
喷塑亚光黑 Black Powder Coated	1110-3001-10	1110-3001-10-S
喷塑 RAL7032 Powder Coated RAL7032	1110-3001-32	1110-3001-32-S

目录
Index

锁具
Lock

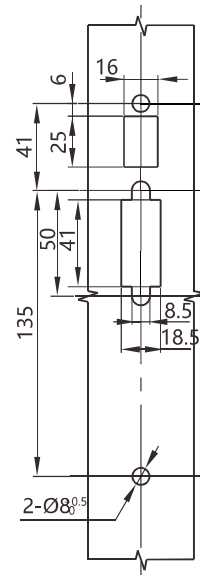
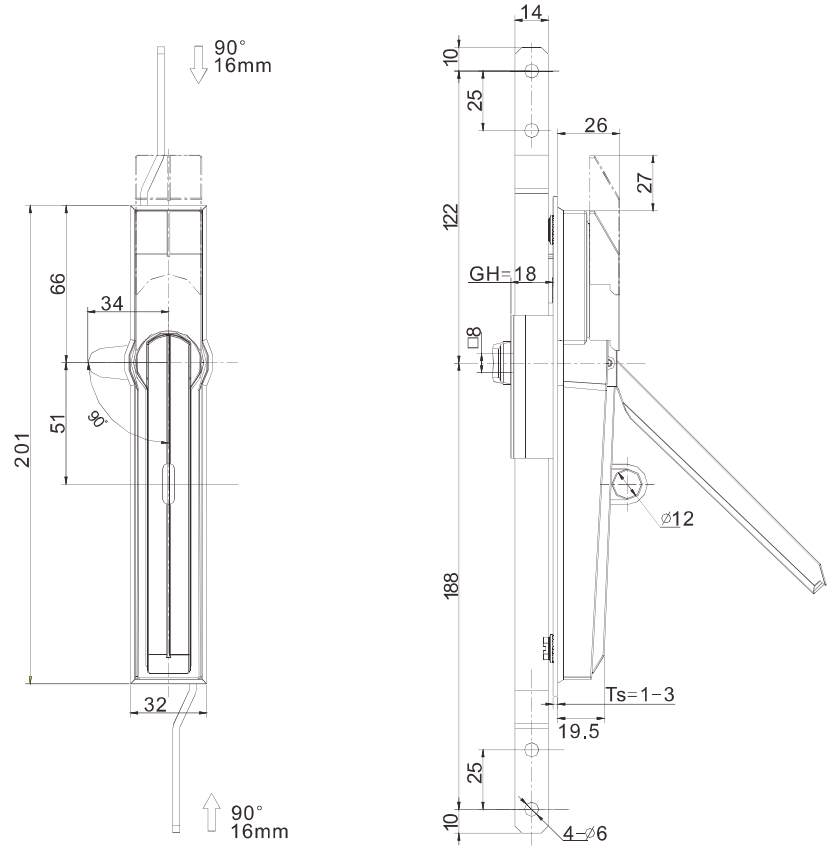
To get product 3D models freely, Please contact info@yeekaco.com

1A-024

RL IP40 NEW

目录
Index

锁具
Locks



开孔尺寸
Panel cutout



备注: Remark

1. 具有更加可靠的锁紧功能和防盗性能。
Better locking function and security.
2. 手柄开启后可以自动撑起。
The handle can be raised automatically when opened.
3. 可配挂锁
Padlockable on request

锌合金锁壳 手柄, 不锈钢挂锁座, 表面处理可做喷塑亚光黑
Zinc housing handle, SUS316 pedlock device, black powder coated.

Version C (三点拉杆型 3P.rod control)

喷塑亚光黑 Black Powder Coated

纳米喷漆(银亚光)
NM spray painting(matte silver)

1110-3002-10

1110-3002-52

如需获得产品3D模型图, 请联系 info@yeekaco.com

连杆型旋转把手 Rod Control Swinghandle

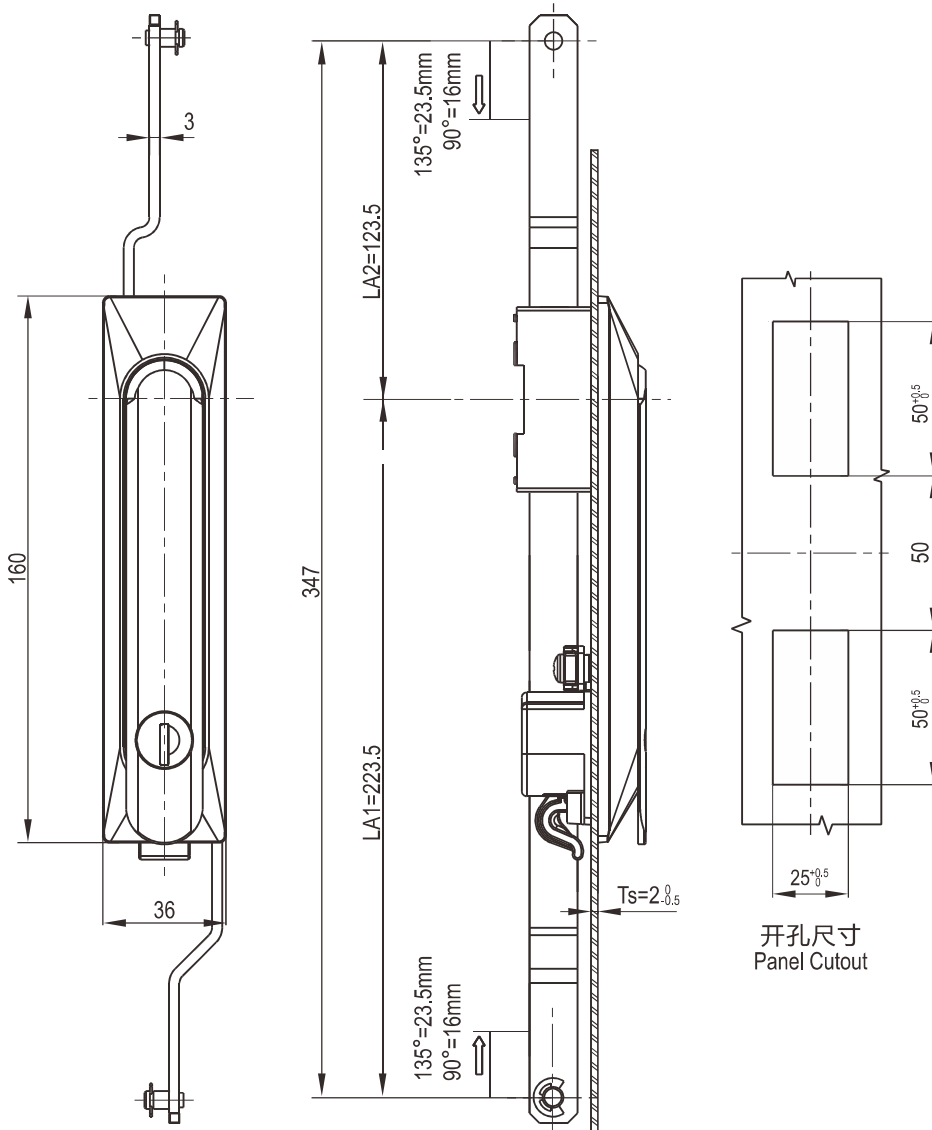
产品系列: 1113

yeeka



目录
Index

锁具
Lock



开孔尺寸
Panel Cutout



黑色PA塑料锁体, 喷塑锌合金手柄、转轴。
Black PA body, zinc die handle powder coated,
zinc die shaft and rod control, m.s. zinc plated flat rod

Version B (2点拉杆型 2P.rod cotrol)	Version C (三点拉杆型 3P.rod control)
1113-2001-01	1113-3001-01

此产品不对德国,意大利,西班牙,英国市场销售。

This product is not available for selling to the markets of Germany, Italy, Spain, England.

可选配件 Accessories ref. to page #

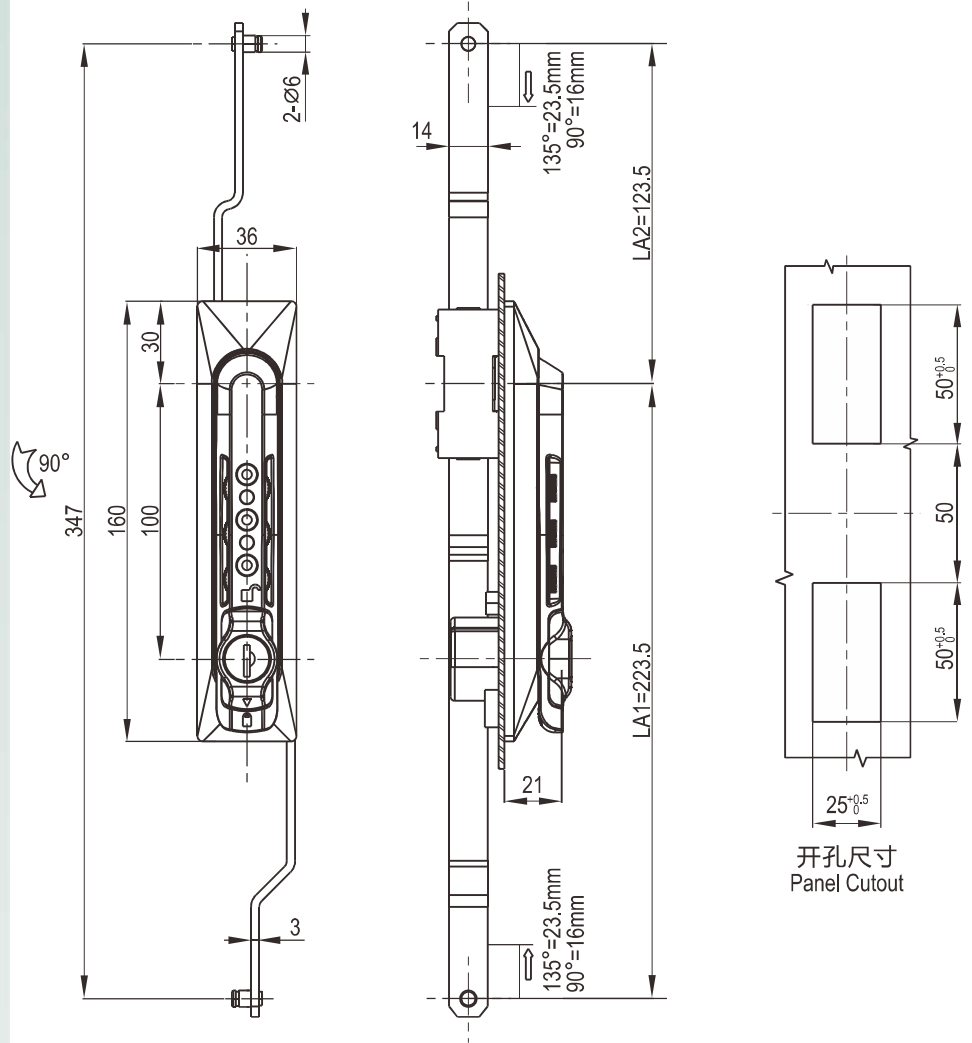
1. 锁舌 见页面 9A-001 CAM ref. to page 9A-001
2. 拉杆装置1193系列 Rod control 1193 series

备注: Remark

1. 专用钥匙可选 Key different on request.
2. CH751 钥匙可选, CH751 key code on request
3. 可配挂锁 Padlockable on request
4. 默认YK333钥匙 Keyed YK333

To get product 3D models freely, Please contact info@yeekaco.com

1A-026



开孔尺寸
Panel Cutout

此产品不对德国,意大利,西班牙,英国市场销售。

This product is not available for selling to the markets of Germany, Italy, Spain, England.

可选配件 Accessories ref. to page #

1. 锁舌 见页面 9A-001 CAM ref. to page 9A-001
2. 拉杆装置1193系列 Rod control 1193 series

备注: Remark

1. 专用钥匙可选 Key different on request.
2. CH751 钥匙可选, CH751 key code on request
3. 默认YK333钥匙 Keyed YK333

黑色PA塑料锁体, 喷塑锌合金手柄、转轴。

Black PA body, zinc die shaft and rod control zinc plated, m.s. zinc plated flat rod

Version B (二点拉杆型 2.Prod cotrol)	Version C (三点拉杆型 3.Prod control)
1114-2001-01	1114-3001-01

旋转把手 Swinghandle

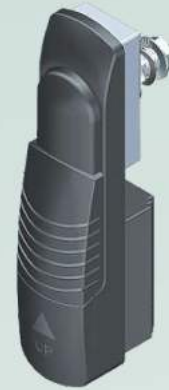
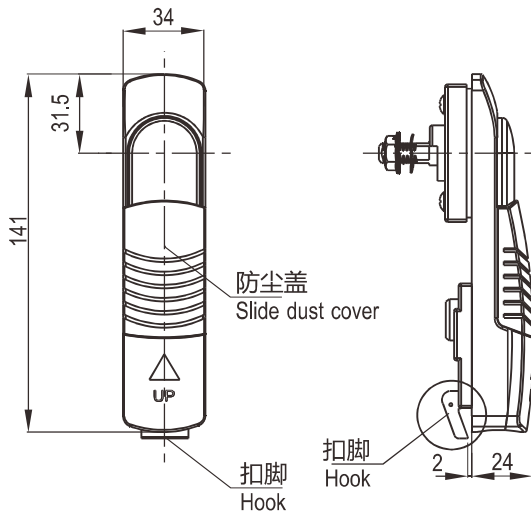
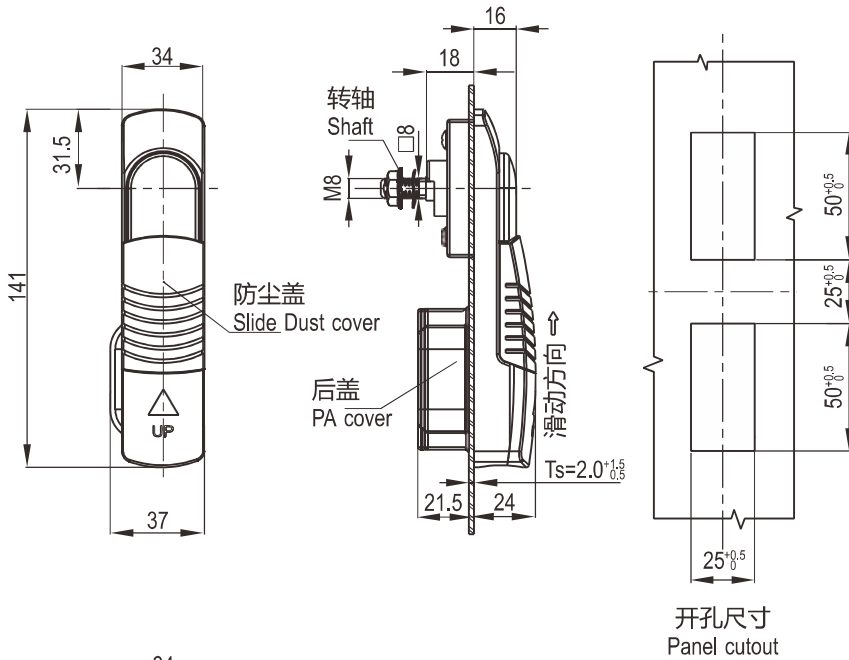
产品系列: 1116

yeeka



目录
Index

锁具
Lock



产品正在开发中
2020年12月份开始供货
Under development,
shall be available on
December, 2020.

可选配件 Accessories ref. to page #

1. 锁舌 见页面 9A-001
CAM ref. to page 9A-001

备注: Remark

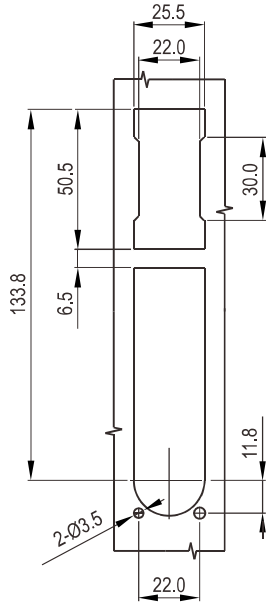
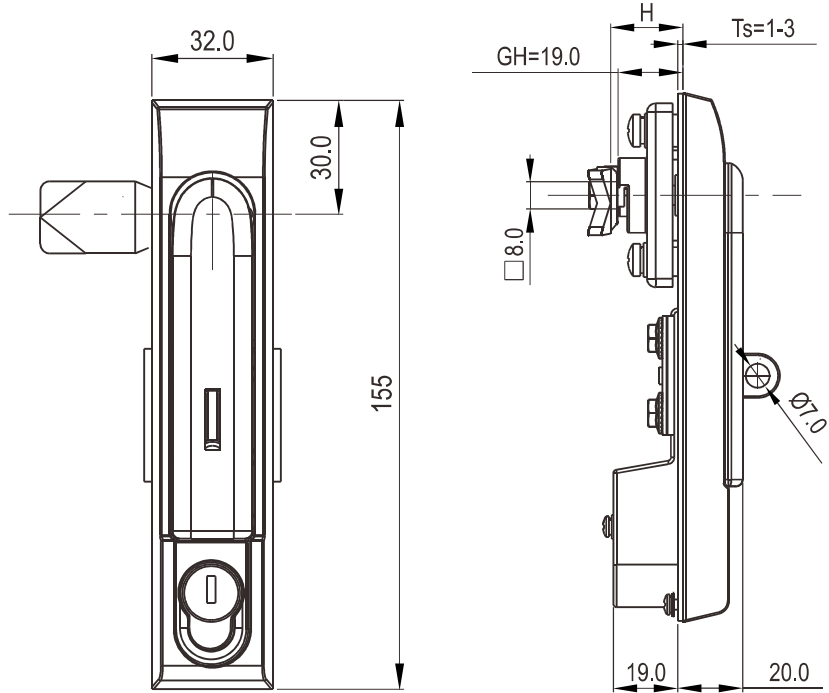
1. 专用钥匙可选 Key different on request.
2. CH751 钥匙可选, CH751 key code on request

塑料锁体
Black PA 30% GF

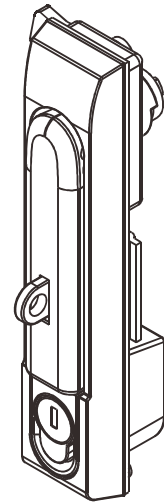
安装方式 Mounting style	
螺丝安装 Mounting by cap	1116-1001-C
卡式安装 Mounting by hook	1116-1011-C

To get product 3D models freely, Please contact info@yeekaco.com

1A-028



开孔尺寸
Panel cutout



可选配件 Accessories ref. to page #
1. 锁舌 见页面 9A-001
CAM ref. to page 9A-001

备注: Remark
1. 可配挂锁 Padlockable on request

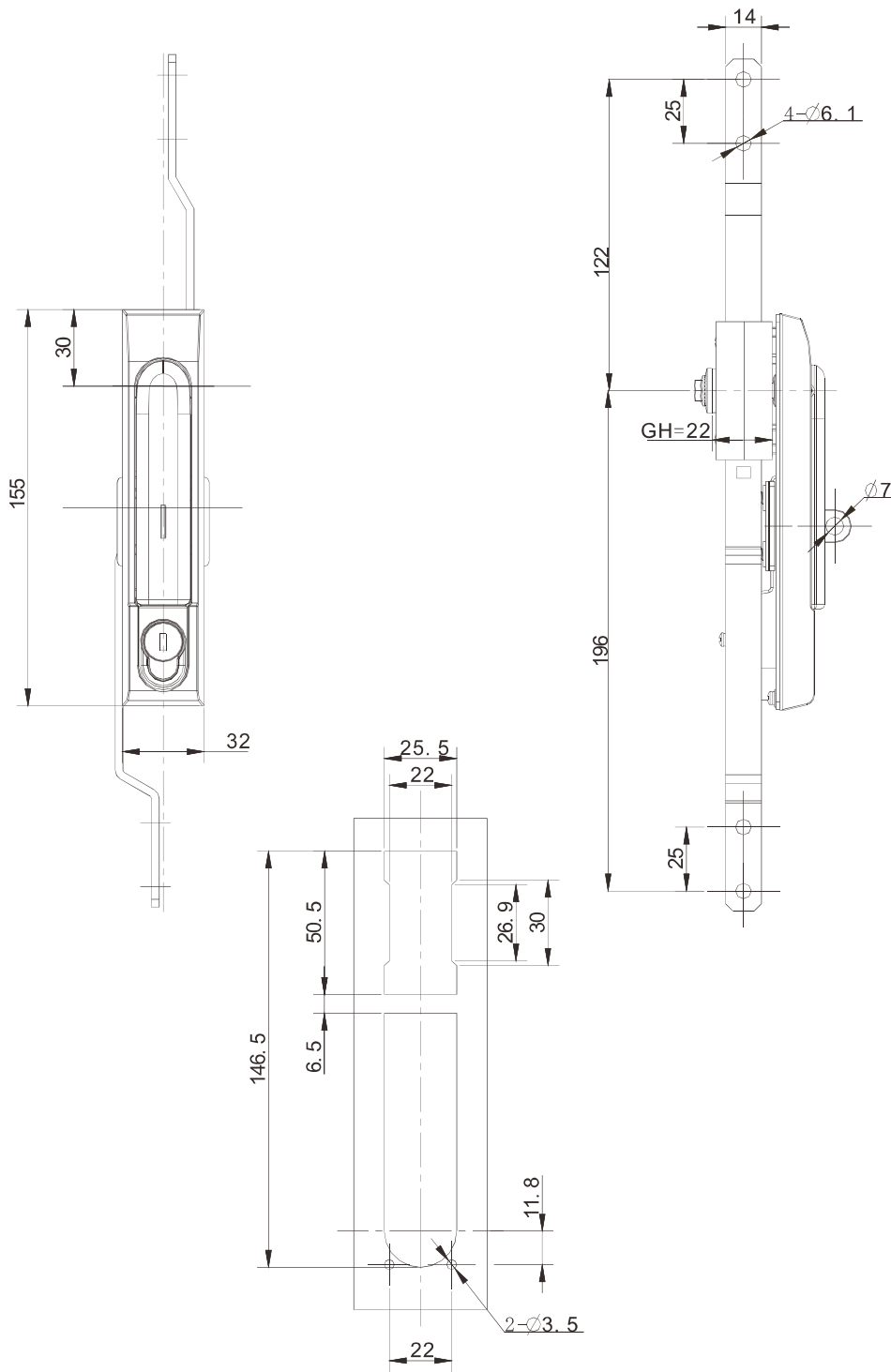
锌合金锁体, 表面处理可做喷塑及电镀
Zinc die body, black powder coated or plating

Version A (锁舌型 Cam control)		
	带挂 Padlockable	不带挂 Without padlock
喷塑亚光黑 Black Powder Coated	1117-1001-10-P	1117-1001-10

连杆型旋转把手 Rod Control Swinghandle

产品系列: 1117

yeeka



锌合金锁体，表面处理可做喷塑及电镀
Zinc die body, black powder coated or plating

	Version B (两点拉杆型 2Prod control)	Version C (三点拉杆型 3Prod control)
	喷塑亚光黑 Black Powder Coated	喷塑亚光黑 Black Powder Coated
不带挂 Without padlock	1117-2001-10	1117-3001-10
带挂 Padlockable	1117-2001-10-P	1117-3001-10-P



目录
Index

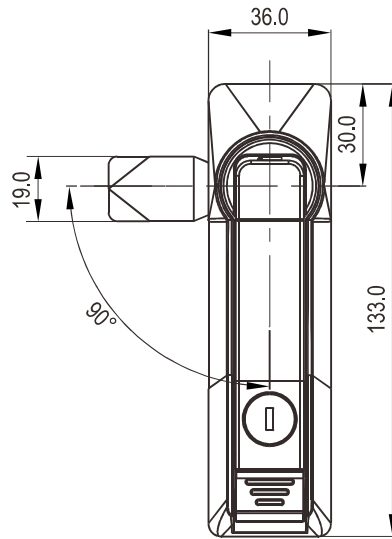
锁具
Lock

可选配件 Accessories ref. to page #
1. 锁舌 见页面 9A-001 CAM ref. to page 9A-001

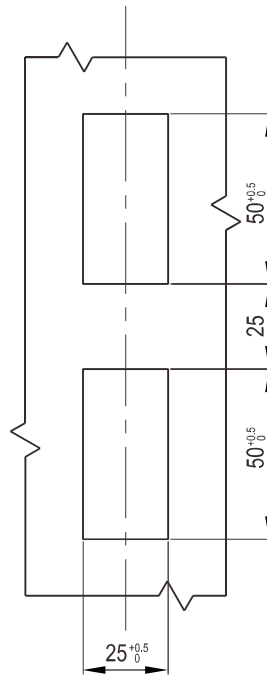
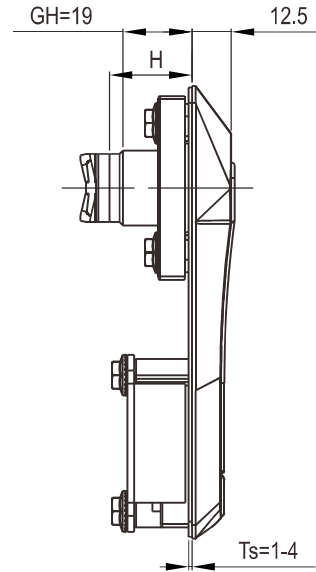
备注: Remark
1. 可配挂锁 Padlockable on request

To get product 3D models freely, Please contact info@yeekaco.com

1A-030



带按钮
With Trigger



开孔尺寸
Panel Cutout

锌合金锁体，表面处理可做喷塑及电镀
Zinc die body, black powder coated or black plating

可选配件 Accessories ref. to page #

- 1. 锁舌 见页面 9A-001
CAM ref. to page 9A-001

备注: Remark

- 1. 可配挂锁 Padlockable on request

Version A (锁舌型 Cam control)	
喷塑亚光黑 Black Powder Coated	1118-1001-10

连杆型旋转把手 Rod Control Swinghandle

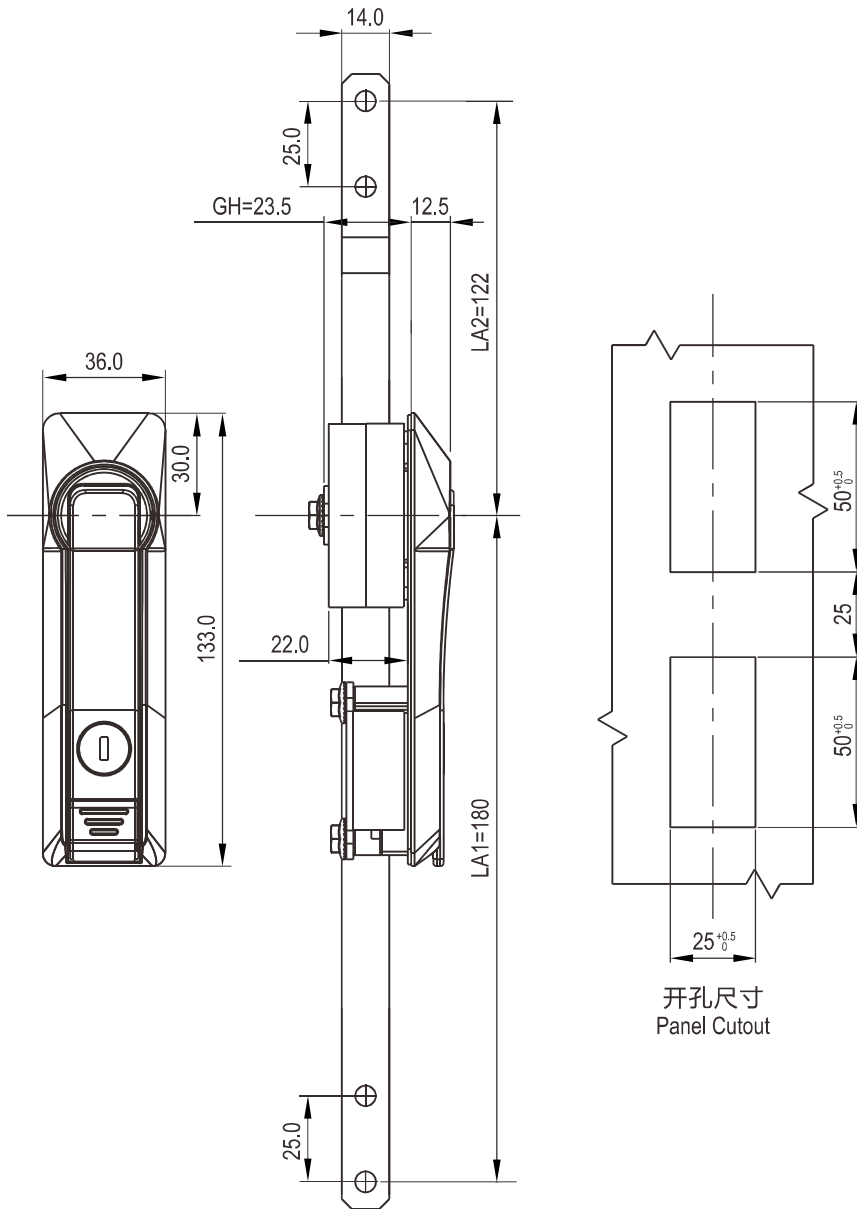
产品系列: 1118

yeeka



目录
Index

锁具
Lock



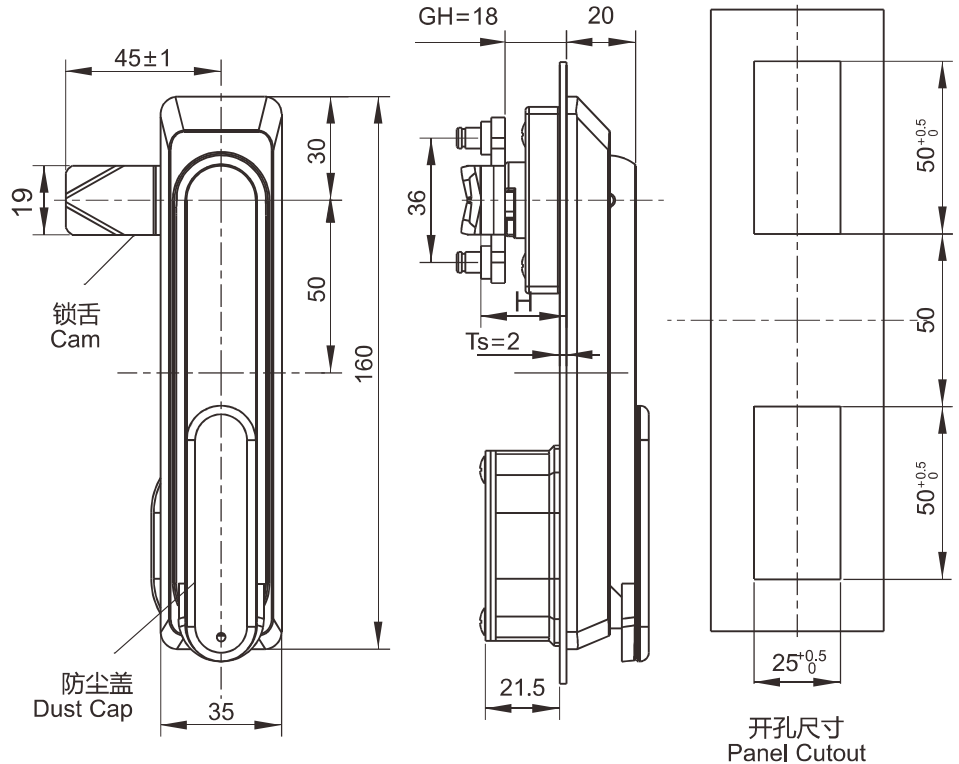
To get product 3D models freely, Please contact info@yeekaco.com

锌合金锁体, 锌合金拉杆装置, 镀锌钢拉杆, 锁体表面可做 喷塑与电泳黑
Zinc die body and rod control, m.s. zinc plated cam, Black powder coated or black E-coated

可选配件 Accessories ref. to page #
1. 锁舌 见页面 9A-001 CAM ref. to page 9A-001

备注: Remark
1. 可配挂锁 Padlockable on request
2. 默认YK333钥匙 Keyed YK333

Version B (两点拉杆型 2P.rod control)	Version C (三点拉杆型 3P.rod control)
喷塑亚光黑 Black Powder Coated	喷塑亚光黑 Black Powder Coated
1118-2001-10	1118-3001-10



304不锈钢旋转手柄，带40mm异性半圆柱锁芯，303不锈钢手柄轴和挂锁附件
Swinghandle SUS 304 for 40 mm profile half cylinder, shaft and padlock device SUS 303; cap polyamide black, with seal

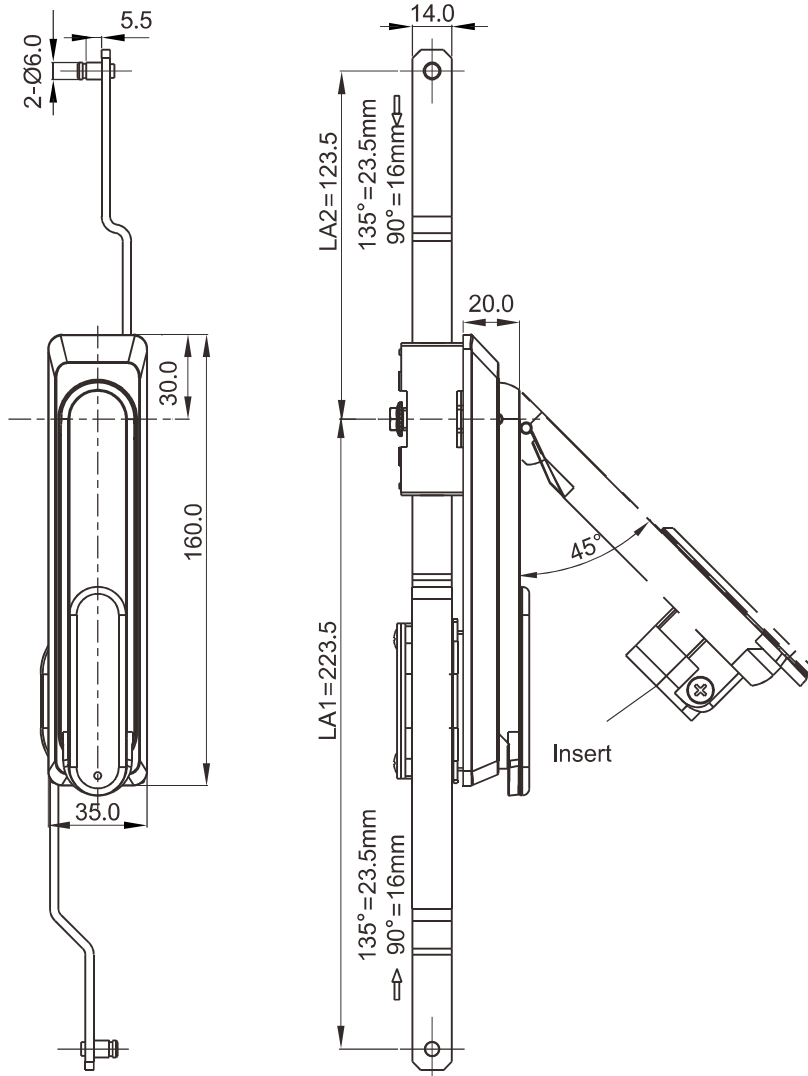
锁芯 Cylinder style	Version A(锁舌型 Cam control)	
	有防尘盖 with Dust Cap	无防尘盖 Without Dust Cap
Hs8异型锁芯 HS8 Profile Cylinder	1120-1P01-C	1120-1P01-NC
圆柱 YK333 相同钥匙 Alike YK333 Round Cylinder	1120-1P02-C	1120-1P02-NC
双翅 4mm (Double Bit 4mm)	1120-1P03-C	1120-1P03-NC
四方锁芯 7mm (Square 7mm)	1120-1P04-C	1120-1P04-NC

备注: Remark
1. 默认YK333钥匙 Keyed YK333

不锈钢连杆型旋转把手 SUS 304 Rod Control Swinghandle

产品系列: 1120

yeeka



目录
Index

锁具
Lock



不锈钢锁体和拉杆
Stainless steel lock body and rods

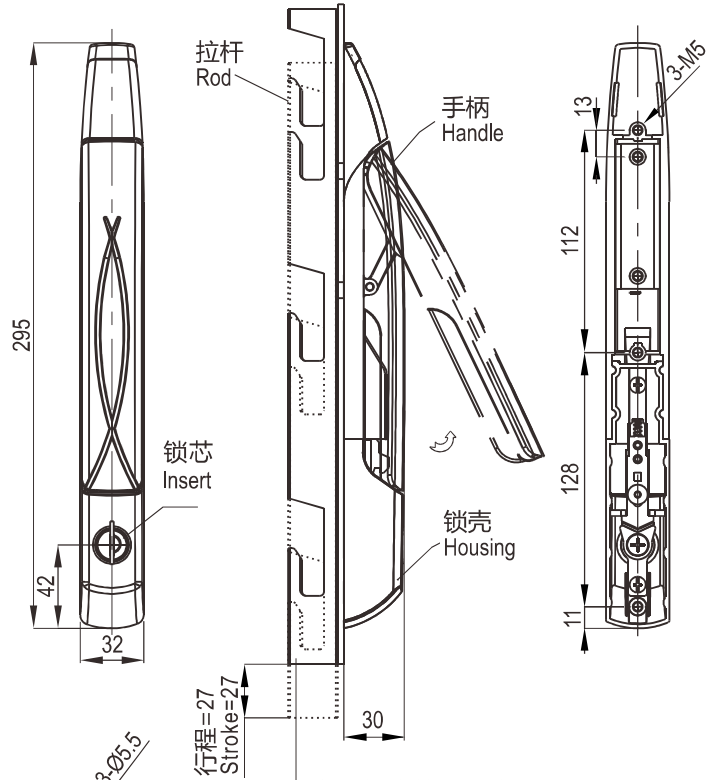
锁芯 Cylinder style	Version B(两点拉杆型 2P.rod control)		Version C(三点拉杆型 3P.rod control)	
	有防尘盖 With Dust Cap	无防尘盖 Without Dust Cap	有防尘盖 With Dust Cap	无防尘盖 Without Dust Cap
Hs8异型锁芯 HS8 Profile Cylinder	1120-2P01-C	1120-2P01-NC	1120-3P01-C	1120-3P01-NC
圆柱 YK333 相同钥匙 Alike YK333 Round Cylinder	1120-2P02-C	1120-2P02-NC	1120-3P02-C	1120-3P02-NC
双翅 4mm (Double Bit 4mm)	1120-2P03-C	1120-2P03-NC	1120-3P03-C	1120-3P03-NC
四方锁芯 7mm (Square 7mm)	1120-2P04-C	1120-2P04-NC	1120-3P04-C	1120-3P04-NC

备注: Remark
1. 默认YK333钥匙 Keyed YK333
2. 配拉杆装置1193-07
With rod control 1193-07

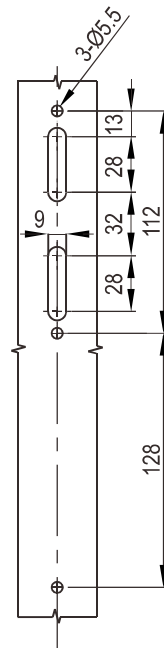
To get product 3D models freely, Please contact info@yeekaco.com

1A-034

RL IP40



连杆部分单独订购
Rod system needs to be ordered separately.



开孔尺寸
Panel Cutout



双翅4锁芯
Double Bit 4mm

锌合金, 不锈钢安装板、推板、挡板和销子, 表面可做喷塑亚光黑或者喷塑黄灰色 (RAL7032)
Zinc die, SUS mounting bracket, push plate, baffle plate and pin, black powder coated or yellowish grey powder coated (RAL7032)

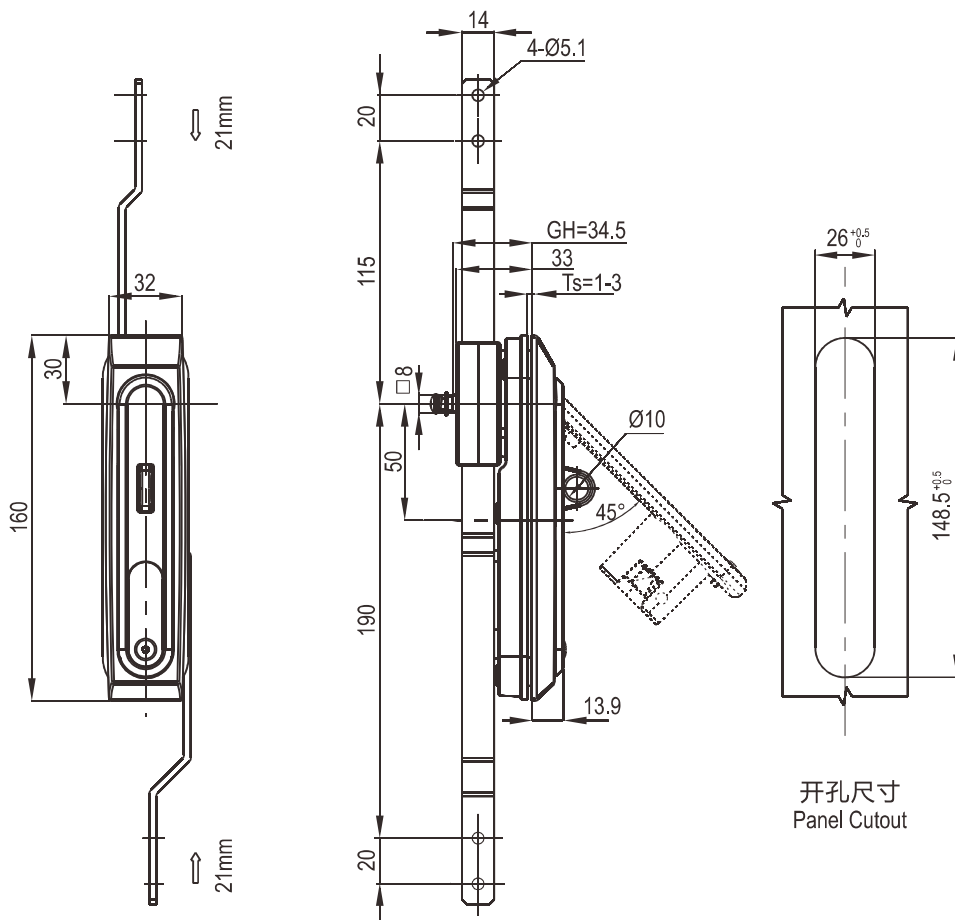
如需获得产品3D模型图, 请联系 info@yeekaco.com

锁芯 Cylinder style	麻面黑 Black Textured Powder Coated	喷塑黄灰色 RAL7032 Powder Coated
1122专用钥匙 1122 Key	1122-2001-20	1122-2001-32
双翅4锁芯 Double Bit 4mm	1122-2014-20	1122-2014-32

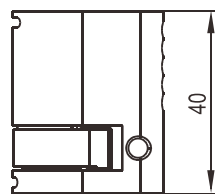
连杆型旋转把手 Rod Control Swinghandle

产品系列: 1124

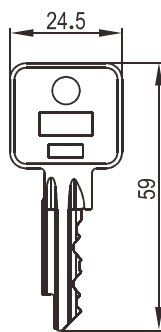
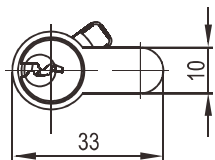
yeeka



开孔尺寸
Panel Cutout



默认锁头
Default profile cylinder



默认钥匙
Default key

锌合金锁体喷黑色漆, 不锈钢门体、传动条、挂锁座
Zinc die lock body, black finish, stainless steel rod control, padlock device

Version B (两点拉杆型 2P.rod control)	Version C (三点拉杆型 3P.rod control)
不带挂 Without padlock	带挂 Padlockable
1124-2P01-55	1124-3P01-55-P




产品正在开发中
2020年12月份开始供
Under development,
shall be available on
December, 2020.

可选配件 Accessories ref. to page #
1. 锁舌 见页面 9A-001 CAM ref. to page 9A-001

备注: Remark
1. 可配挂锁 Padlockable on request
2. 锁头可换 Interchangeable profile cylinder

目录
Index

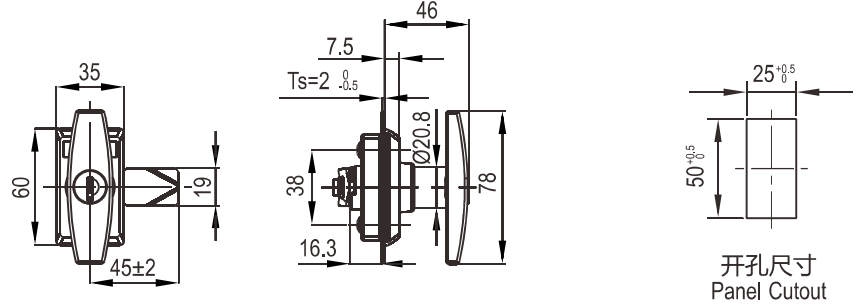
锁具
Lock

To get product 3D models freely, Please contact info@yeekaco.com

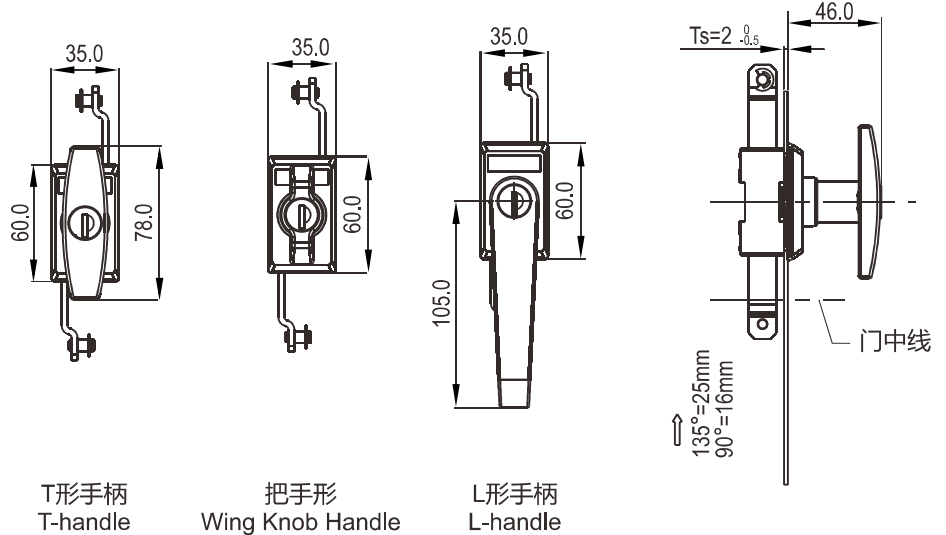
1A-036



锁舌型
cam control



拉杆型
Rod control



T形手柄
T-handle

把手形
Wing Knob Handle

L形手柄
L-handle

此产品不对德国,意大利,西班牙,英国市场销售。

This product is not available for selling to the markets of Germany, Italy, Spain, England.

可选配件 Accessories ref. to page #

1. 锁舌 见页面 9A-001 CAM ref. to page 9A-001
2. 拉杆装置1192系列 Rod control 1192 series

备注: Remark

1. 专用钥匙可选 Key different on request.
2. CH751 钥匙可选, CH751 key code on request
3. 默认YK333钥匙 Keyed YK333

黑色PA锁壳, 锌合金喷塑亚光黑手柄, 镀锌钢或不锈钢锁舌

Black PA housing, zinc die handle, black powder coated, m.s.zinc plated or sus304

如需获得产品3D模型图, 请联系 info@yeekaco.com

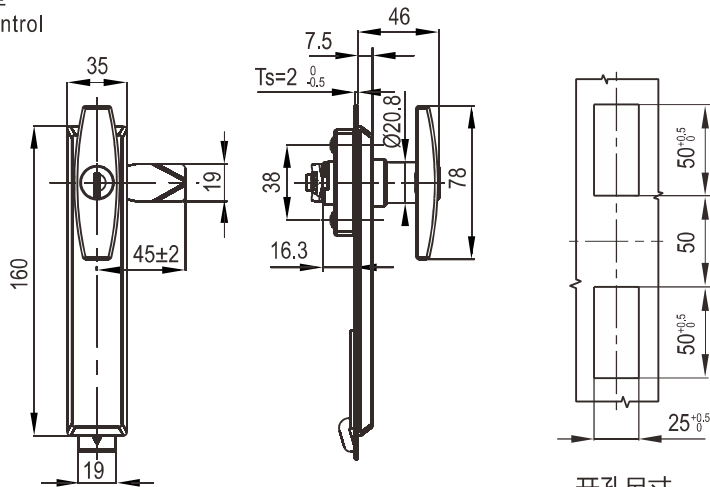
手柄类型 Handle type	Version A (锁舌型 Cam control)		Version B (两点拉杆型 2P.rod control)		Version C (三点拉杆型 3P.rod control)	
	不带锁芯 Non-Locking	带锁芯 Key Locking	不带锁芯 Non-Locking	带锁芯 Key Locking	不带锁芯 Non-Locking	带锁芯 Key Locking
T形手柄 T-handle	1123-1000-S190	1123-1001-S190	1123-2000-S190	1123-2001-S190	1123-3000-S190	1123-3001-S190
L形手柄 L-handle	1123-1000-S290	1123-1001-S290	1123-2000-S290	1123-2001-S290	1123-3000-S290	1123-3001-S290
把手型 Wing Knob Handle	1123-1000-S390	1123-1001-S390	1123-2000-S390	1123-2001-S390	1123-3000-S390	1123-3001-S390

连杆型旋转把手 Rod Control Swinghandle

产品系列: 1123

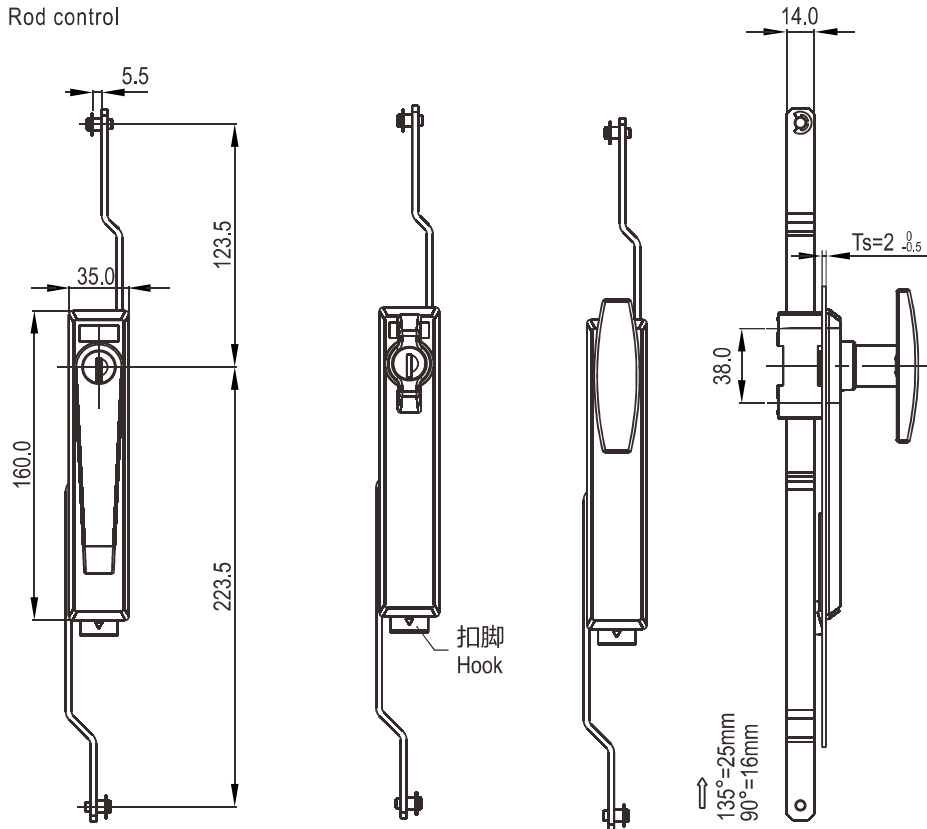
yeeka

锁舌型
cam control



开孔尺寸
Panel Cutout

拉杆型
Rod control



L形手柄
L-handle

把手形
Wing Knob Handle

T形手柄
T-handle



此产品不对德国,意大利,西班牙,英国市场销售。

This product is not available for selling to the markets of Germany,Italy,Spain,England.

可选配件 Accessories ref. to page #

1. 锁舌 见页面 9A-001 CAM ref. to page 9A-001
2. 拉杆装置1193系列 Rod control 1193 series

备注: Remark

1. 专用钥匙可选 Key different on request.
2. CH751 钥匙可选,CH751 key code on request
3. 默认YK333钥匙 Keyed YK333

手柄类型 Handle type	Version A(锁舌型 Cam control)		Version B (两点拉杆型 2P.rod control)		Version C (三点拉杆型 3P.rod control)	
	不带锁芯 Non-Locking	带锁芯 Key Locking	不带锁芯 Non-Locking	带锁芯 Key Locking	不带锁芯 Non-Locking	带锁芯 Key Locking
T形手柄 T-handle	1123-1000-L190	1123-1001-L190	1123-2000-L190	1123-2001-L190	1123-3000-L190	1123-3001-L190
L形手柄 L-handle	1123-1000-L290	1123-1001-L290	1123-2000-L290	1123-2001-L290	1123-3000-L290	1123-3001-L290
把手型 Wing Knob Handle	1123-1000-L390	1123-1001-L390	1123-2000-L390	1123-2001-L390	1123-3000-L390	1123-3001-L390

目录
Index

锁具
Lock

To get product 3D models freely, Please contact info@yeekaco.com

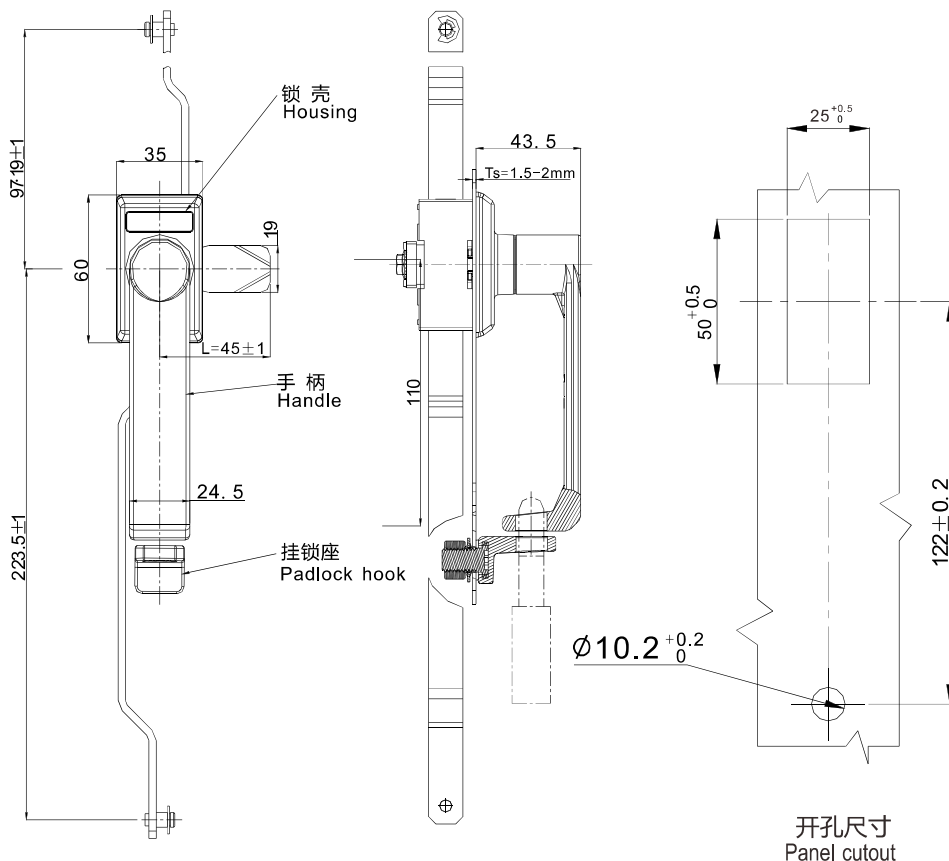
1A-038

RL IP65

NEW

目录
Index

锁具
Locks



手柄挂锁座: 锌合金, 麻面黑; 锁壳: PA6+30%黑色
Handle/Padlock hook: Zinc die, Black textured powder coated; Housing: Black PA body

	Version B(两点拉杆型 2P,rod control)	Version C(三点拉杆型 3P,rod control)
不带挂 Without padlock	1123-2001-10	1123-3001-10
带挂 Padlockable	1123-2001-10-P	1123-3001-10-P

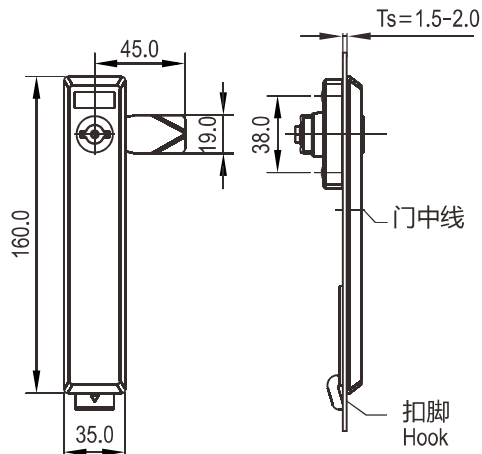
如需获得产品3D模型图, 请联系 info@yeekaco.com

连杆型旋转把手 Rod Control Swinghandle

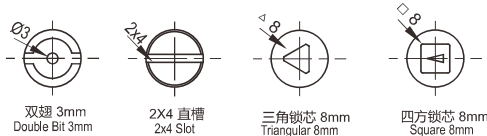
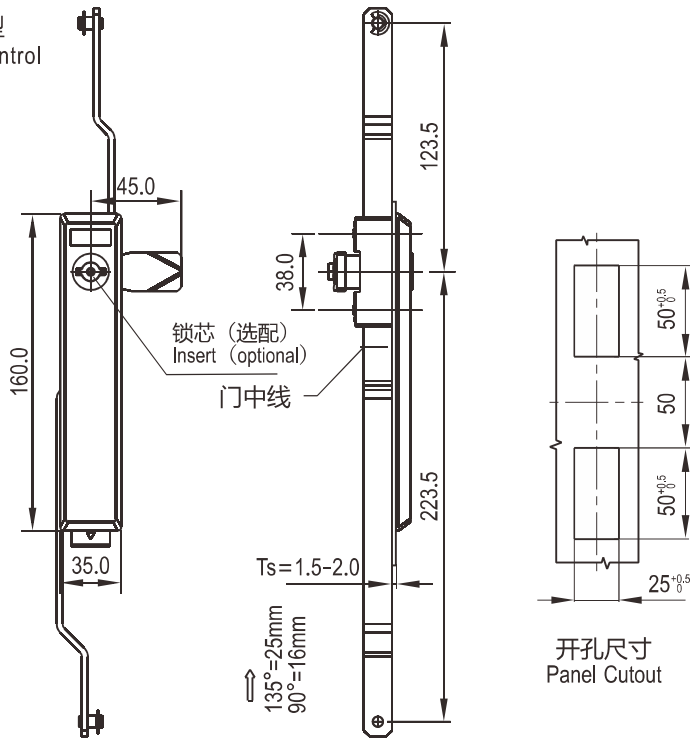
产品系列: 1127

yeeka

锁舌型
cam control



拉杆型
Rod control



黑色PA塑料锁体, 锌合金锁芯亮铬锁芯, 镀锌钢锁舌
Black PA lock body, zinc die insert with bright chrome plated, m.s. zinc plated cam

RL IP65



此产品不对德国,意大利,西班牙,英国市场销售。

This product is not available for selling to the markets of Germany, Italy, Spain, England.

备注: Remark

可选配件 Accessories ref. to page #

1. 锁舌 见页面 9A-001

CAM ref. to page 9A-001

2. 拉杆装置 1193系列

Rod control 1193 series

锁芯类型 Insert type	Version A(锁舌型 Cam control)	Version B (两点拉杆型 2P.rod control)	Version C (三点拉杆型 3P.rod control)
双翅3mm Double Bit 3mm	1127-1013-L190	1127-2013-L190	1127-3013-L190
双翅5mm Double Bit 5mm	1127-1015-L190	1127-2015-L190	1127-3015-L190
2x4直槽型 2x4 Slot	1127-1024-L190	1127-2024-L190	1127-3024-L190
三角8mm Triangular 8mm	1127-1038-L190	1127-2038-L190	1127-3038-L190
四方8mm Square 8mm	1127-1048-L190	1127-2048-L190	1127-3048-L190

目录
Index

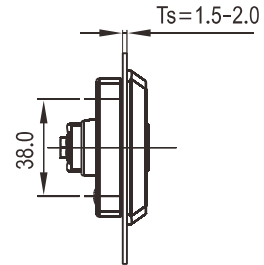
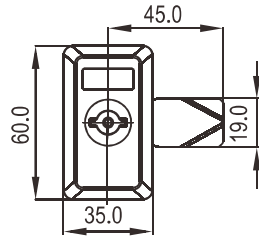
锁具
Lock

To get product 3D models freely, Please contact info@yeekaco.com

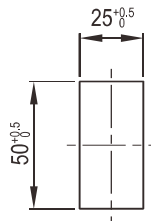
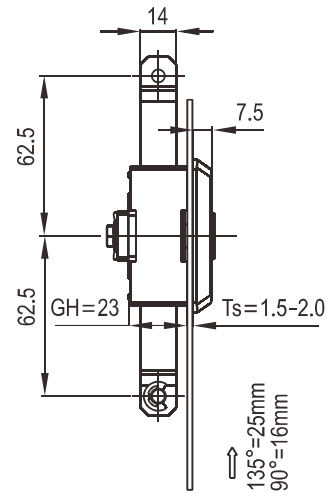
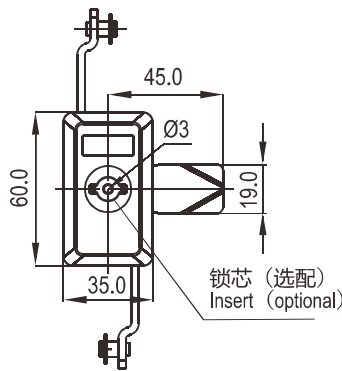
1A-040

RL IP65

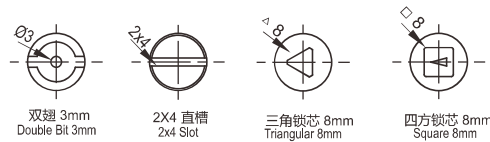
锁舌型
cam control



拉杆型
Rod control



开孔尺寸
Panel Cutout



黑色PA塑料锁体, 锌合金锁芯亮光铬锁芯, 镀锌钢锁舌
Black PA lock body, zinc die insert with bright chrome plated, m.s. zinc plated cam



此产品不对德国,意大利,西班牙,英国市场销售。

This product is not available for selling to the markets of Germany, Italy, Spain, England.

备注: Remark

可选配件 Accessories ref. to page #

1. 锁舌 见页面 9A-001
CAM ref. to page 9A-001
2. 拉杆装置 1192系列
Rod control 1192 series

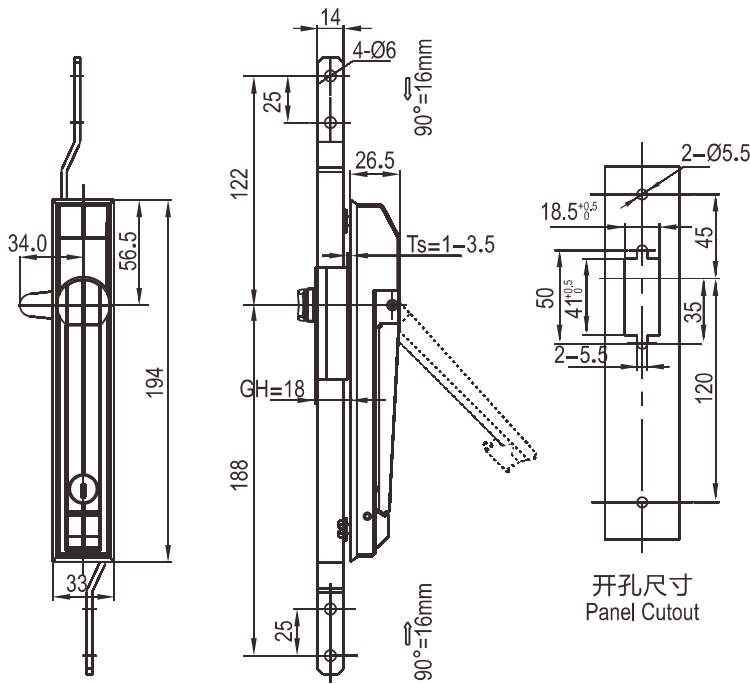
如需获得产品3D模型图, 请联系 info@yeekaco.com

锁芯类型 Insert type	Version A(锁舌型 Cam control)	Version B (两点拉杆型 2P.rod control)	Version C (三点拉杆型 3P.rod control)
双翅3mm Double Bit 3mm	1127-1013-S190	1127-2013-S190	1127-3013-S190
双翅5mm Double Bit 5mm	1127-1015-S190	1127-2015-S190	1127-3015-S190
2x4直槽型 2x4 Slot	1127-1024-S190	1127-2024-S190	1127-3024-S190
三角8mm Triangular 8mm	1127-1038-S190	1127-2038-S190	1127-3038-S190
四方8mm Square 8mm	1127-1048-S190	1127-2048-S190	1127-3048-S190

连杆型旋转把手 Rod Control Swinghandle

产品系列: 1128、1129

yeeka



锌合金锁体, 锁壳喷塑黄灰, 手柄、按钮喷塑亚光黑, 镀锌钢拉杆、锁舌。
Zinc die lock body, housing with yellowish grey powder coated (RAL7032), handle & button with smoothly black powder coated, ms.zinc plated flat rod & cam

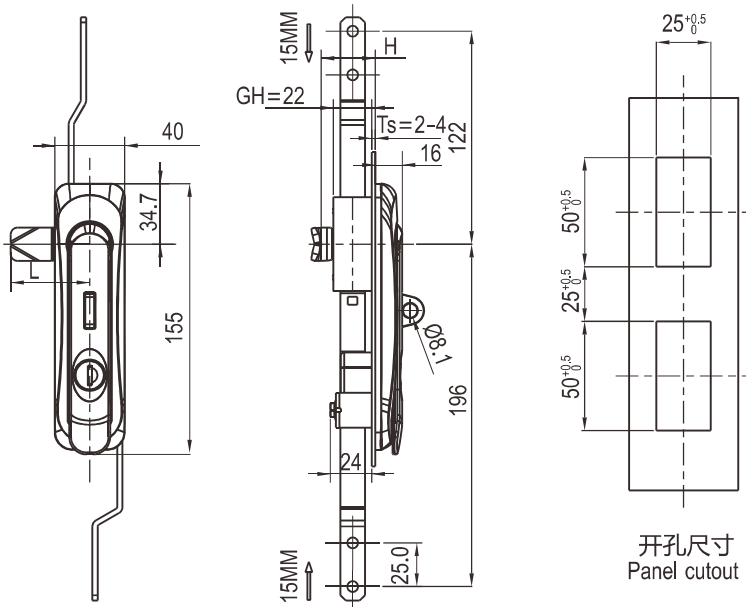
Version C (三点拉杆型 3P.rod control)	铁锁舌 M.S.plated Cam	锌合金锁舌 Zinc Cam
喷塑亚光黑 Black Powder Coated	1128-3001-10	1128-3001-10-S
喷塑 RAL7032 Powder Coated RAL7032	1128-3001-32	1128-3001-32-S

RL IP65



目录
Index

锁具
Lock



锌合金锁体, 锌合金拉杆装置, 镀锌钢拉杆, 锁体表面可做喷塑与电泳黑
Zinc die body and rod control, zinc plated cam, black powder coated or E-coated

	Version B (2点拉杆型 2P.rod control)	Version C (三点拉杆型 3P.rod control)
带挂 Padlockable	1129-2001-10-P	1129-3001-10-P
不带挂 Without padlock	1129-2001-10	1129-3001-10

RL IP65  NEW



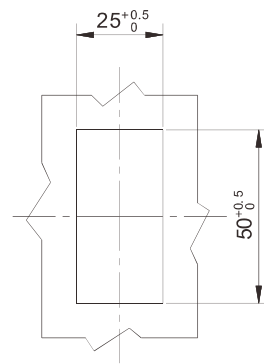
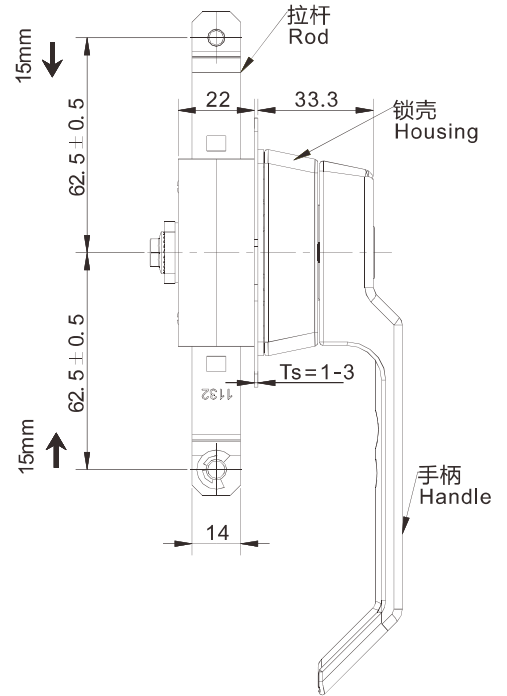
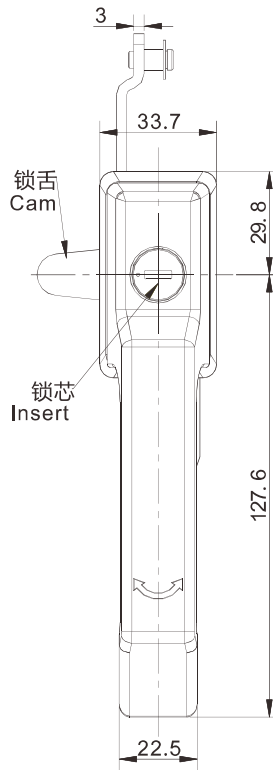
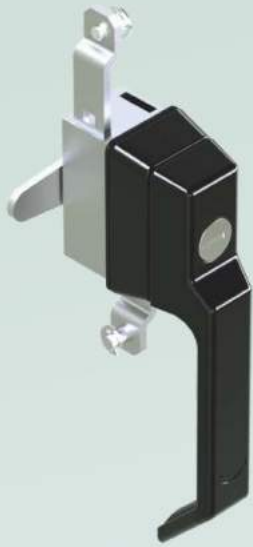
To get product 3D models freely, Please contact info@yeekaco.com

1A-042

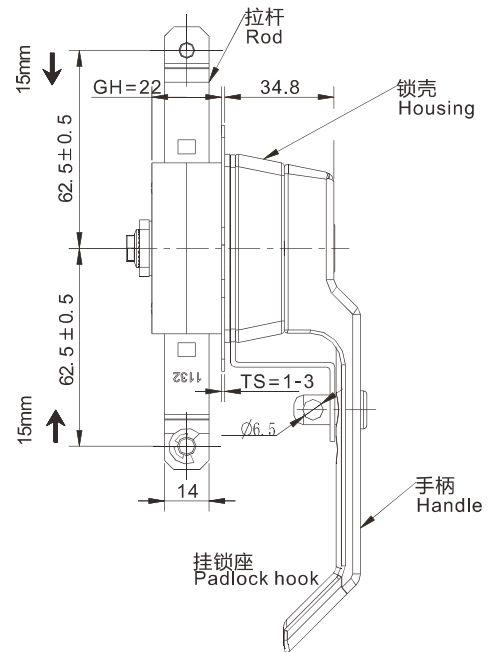
RL IP65 NEW

目录
Index

锁具
Locks



开孔尺寸
Panel cutout



可选配件 Accessories ref. to page #

1. 锁舌 见页面 9A-001
CAM ref. to page 9A-001
2. 配不带定位点锁舌
With non-stopper cam.
3. 配专用拉杆
With special rod control

备注: Remark

1. 可配挂锁 Padlockable on request

手柄, 锁壳: 锌合金, 喷塑亚光黑; 拉杆, 锁舌: Q235, 三价彩锌

Handle, Housing: Zinc alloy, Black smooth powder coated; Rod, Cam: Q235, Trivalent chromate zinc plated

	带挂 Padlockable	不带挂 Without padlock
喷塑亚光黑 Black Powder Coated	1132-3001-10	1132-3001-10-P

如需获得产品3D模型图, 请联系 info@yeekaco.com

1A-043

异形锁芯 Profile Cylinder

产品系列: 1189

yeeka

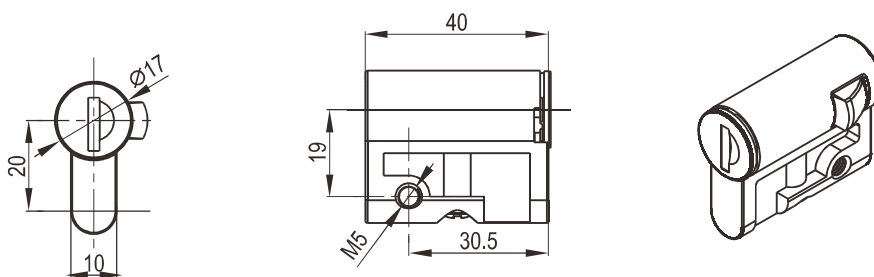
款式 A
Version A



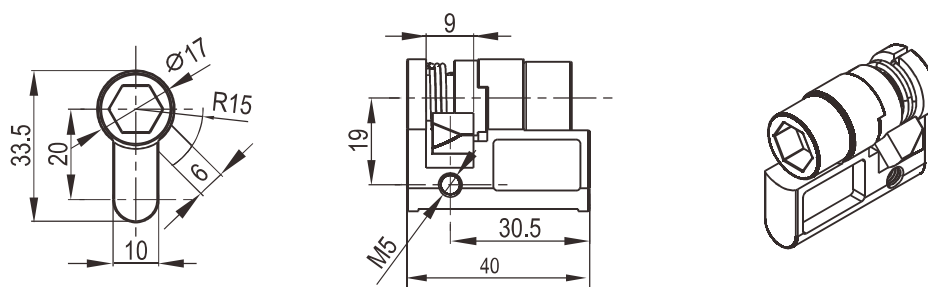
款式 B
Version B



款式 A
Version A



款式 B
Version B



锌合金本体, 电镀亮铬
Zinc die body, bright chrome plated

锁芯类型 Insert type	款式 A Version A	款式 B Version B
圆柱YK3333相同钥匙Alike YK333	1189-333-A	1189-333-B
双翅3mm Double Bit 3mm	1189-013-A	1189-013-B
双翅4mm Double Bit 4mm	1189-014-A	1189-014-B
双翅5mm Double Bit 5mm	1189-015-A	1189-015-B
2×4直槽型2×4 Slot	1189-024-A	1189-024-B
2×4直槽防硬币型2×4 Slot coin proof	1189-124-A	1189-124-B
三角7mm Triangular 7mm	1189-037-A	1189-037-B
三角8mm Triangular 8mm	1189-038-A	1189-038-B
四方7mm Square 7mm	1189-046-A	1189-046-B
四方8mm Square 8mm	1189-048-A	1189-048-B
四方7mm 带槽Square 7mm with slot	1189-147-A	1189-147-B
四方8mm 带槽Square 8mm with slot	1189-148-A	1189-148-B
内四方8型Female square 8mm	1189-248-A	1189-248-B
内六角8mm Hexagon female 8mm	1189-168-A	1189-168-B
内六角9mm Hexagon female 9mm	1189-169-A	1189-169-B
内六角8mm带槽3mm Hexagon female 8mm with 3mm pin	1189-268-A	1189-268-B
外六角10型Hexagon male 10mm	1189-360-A	1189-360-B

目录
Index

锁具
Lock

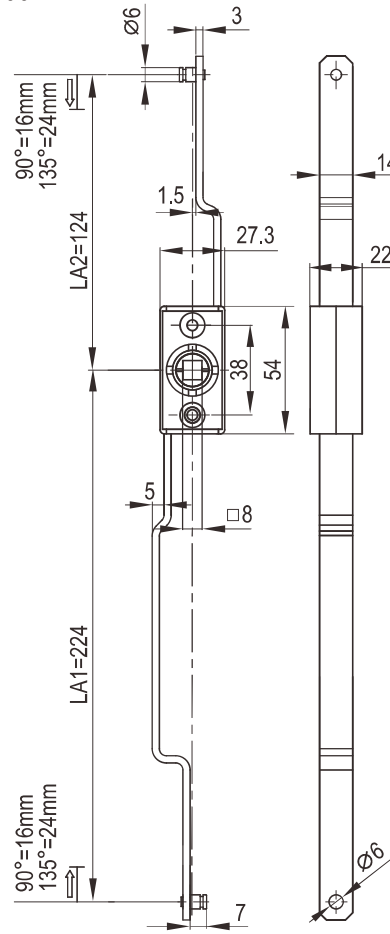
To get product 3D models freely, Please contact info@yeekaco.com

1A-044

RL

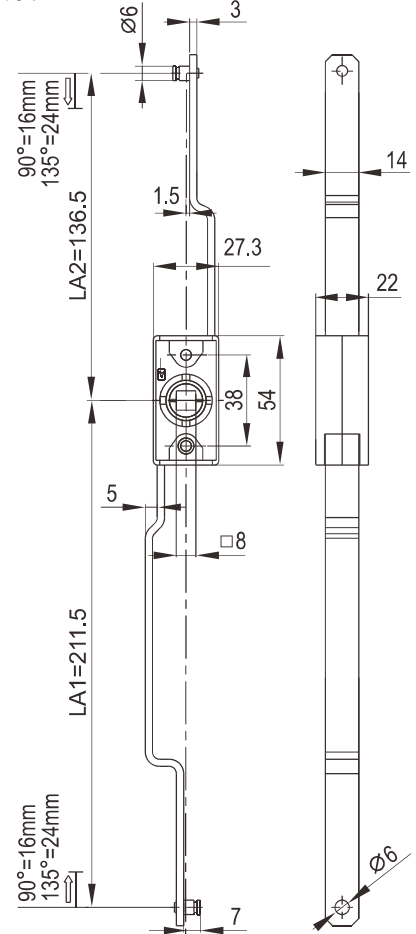


1190

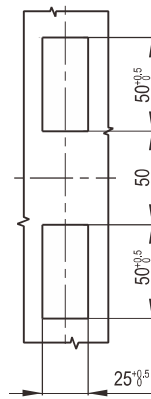


圆铆钉
Round Stud

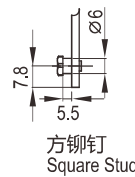
1191



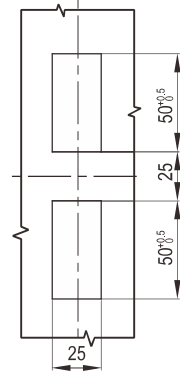
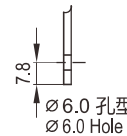
圆铆钉
Round Stud



适用于开孔型 A
For cutout: Version A



方铆钉
Square Stud



适用于开孔型 B
For cutout: Version B

锌合金本体·镀锌钢拉杆
Zinc die body, zinc plated. m.s. zinc plated flat rod

如需获得产品3D模型图, 请联系 info@yeekaco.com

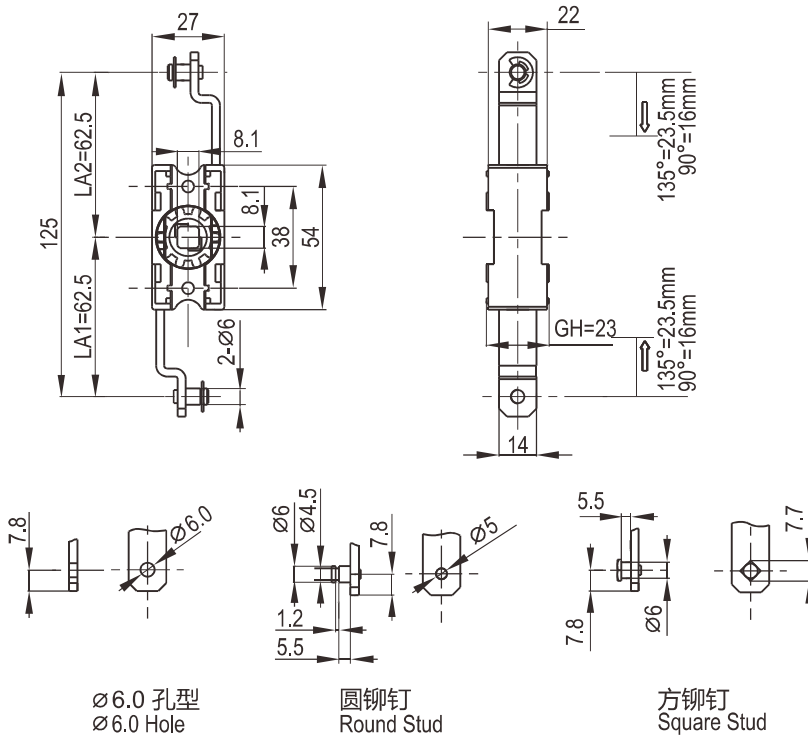
铆钉款式 Rivet Style	适用于孔型 A For cutout: Version A	适用于孔型 B For cutout: Version B
带圆铆钉 Round Studs	1190-01	1191-01
带方铆钉 Square Studs	1190-02	1191-02
带 6.0 孔 6.0 Hole	1190-03	1191-03

拉杆装置 Rod Control

产品系列: 1192、1194

yeeka

1192



RL

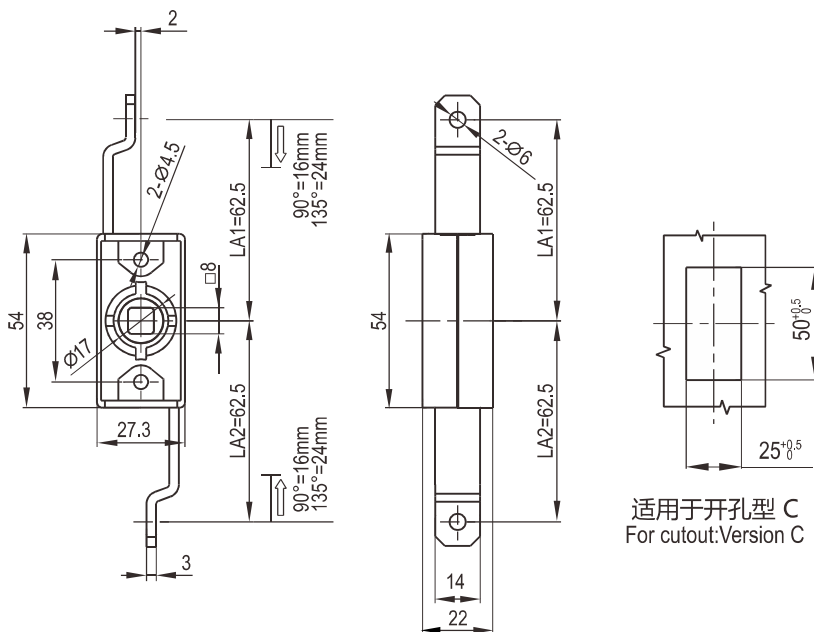


此产品不对德国,意大利,西班牙,英国市场销售。
This product is not available for selling to the markets of Germany,Italy,Spain,England.

目录
Index

锁具
Lock

1194



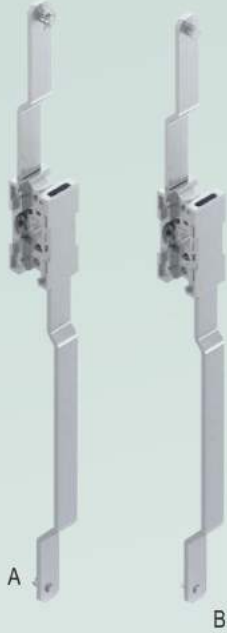
锌合金本体·镀锌钢拉杆
Zinc die body, zinc plated. m.s. zinc plated flat rod

铆钉款式 Rivet Style	适用于孔型 C For cutout:Version C	适用于孔型 C For cutout:Version C
带圆铆钉 Round Studs	1192-01	1194-01
带方铆钉 Square Studs	1192-02	1194-02
带 6.0 孔 6.0 Hole	1192-03	1194-03

To get product 3D models freely, Please contact info@yeekaco.com

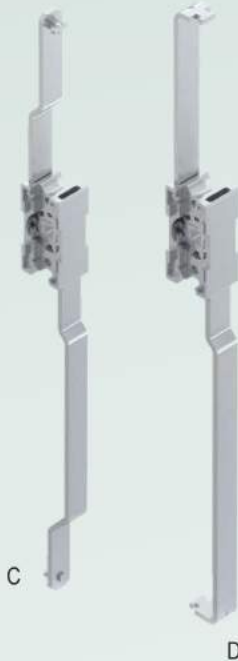
1A-046

RL



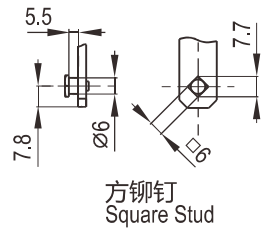
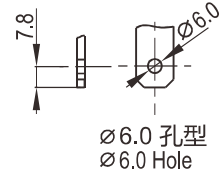
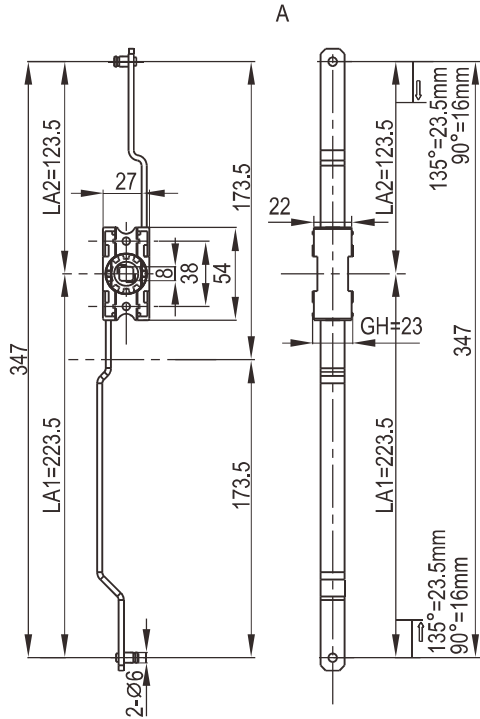
A

B



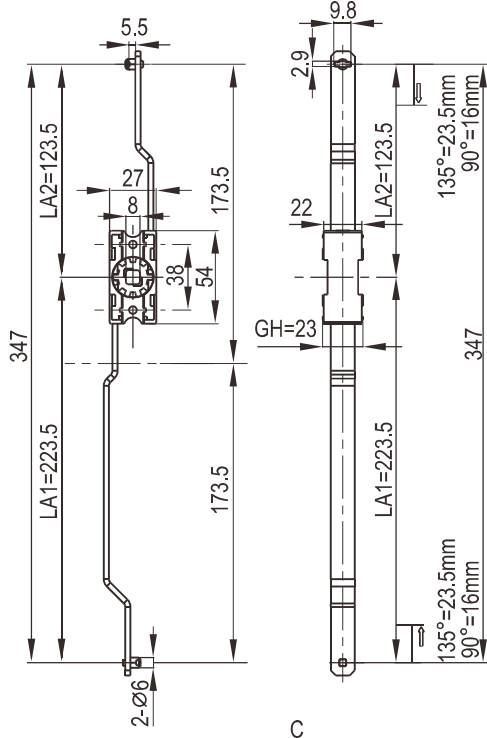
C

D

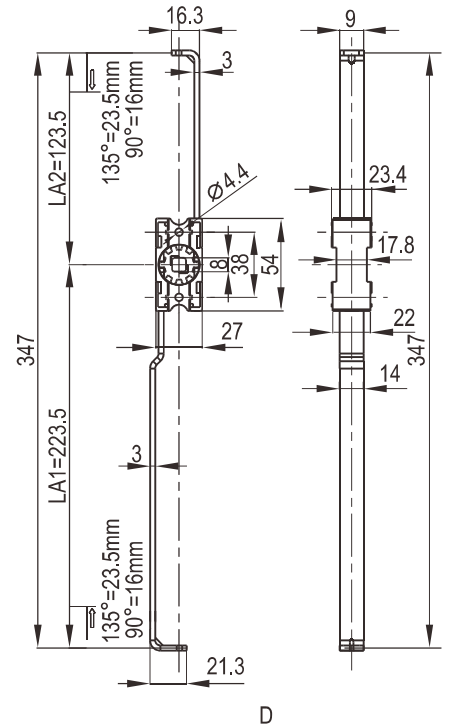


方铆钉
Square Stud

B



C

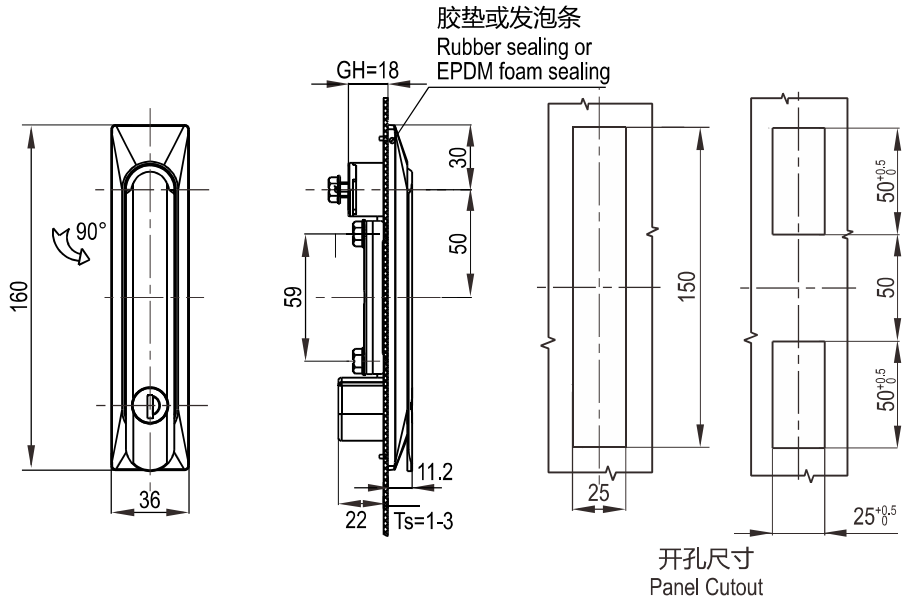


D

锌合金本体, 镀锌钢拉杆
Zinc die body, zinc plated .m.s. zinc plated rod

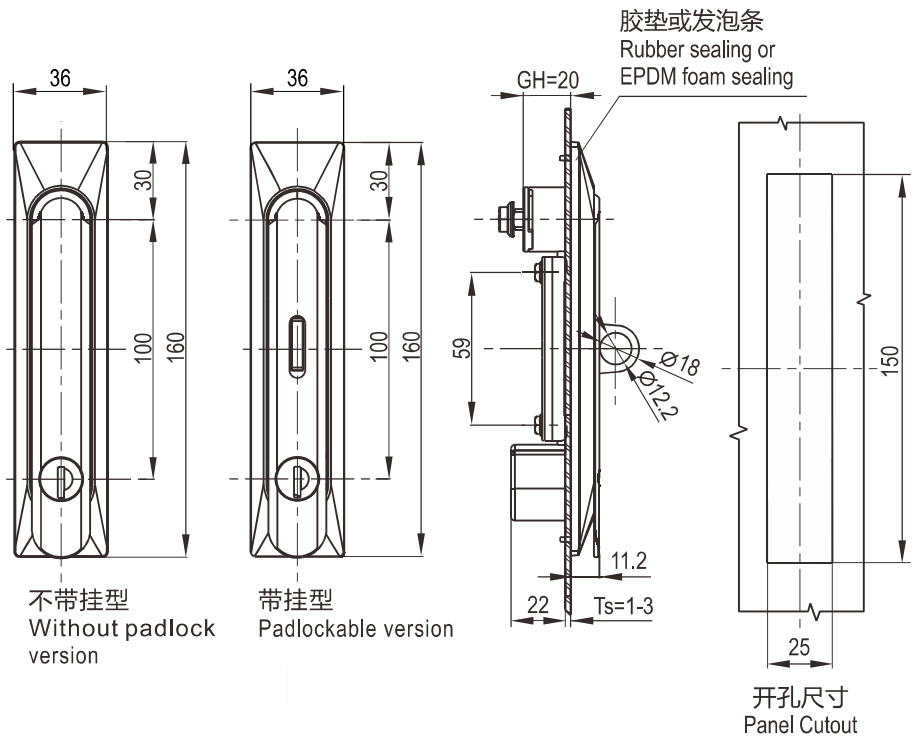
铆钉款式 Rivet Style		适用于孔型 A For cutout: Version A
A型	带圆铆钉 Round Studs	1193-01
B型	带方铆钉 Square Studs	1193-02
C型	带圆铆钉钩	1193-03
D型	带弯钩型	1193-04

此产品不对德国,意大利,西班牙,英国市场销售。
This product is not available for selling to the markets of Germany, Italy, Spain, England.



黑色 PA 塑料锁体或者锌合金锁体, 锌合金手柄、转轴, 镀锌钢安装紧固件
PA black plastic or zinc die housing, zinc die handle black powder coated, zinc die shaft and m.s. zinc plated fixing parts.

	锌合金手柄, 塑料座 Zinc die handle, PA housing
大型 Large size GH=18	1201-01-0118



黑色 PA 塑料锁体或者锌合金锁体, 锌合金手柄、转轴, 镀锌钢安装紧固件
PA black plastic or zinc die housing, zinc die handle black powder coated, zinc die shaft and m.s. zinc plated fixing parts.

	锌合金手柄, 塑料座 Zinc die handle, PA housing	全锌合金 Zinc Die
大型 Large size GH=20	1201-01-0120	1201-01-0220

可选配件 Accessories ref. to page #

1. 锁舌 见页面 9A-001
CAM ref. to page 9A-001

备注: Remark

1. 专用钥匙可选 Key different on request.
2. CH751 钥匙可选, CH751 key code on request
3. 可配挂锁 Padlockable on request
4. 默认YK333钥匙 Keyed YK333

平面型转动把手 Swinghandle Lock

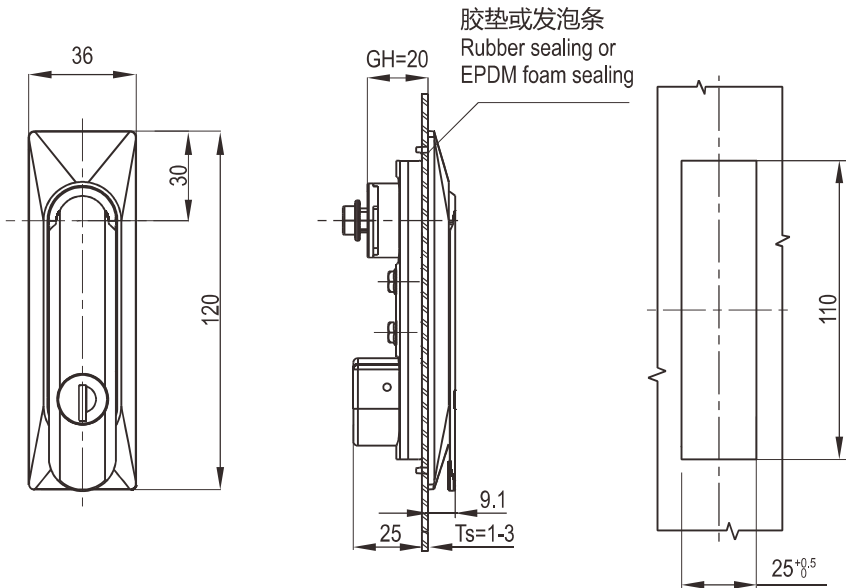
产品系列: 1201

yeeka



目录
Index

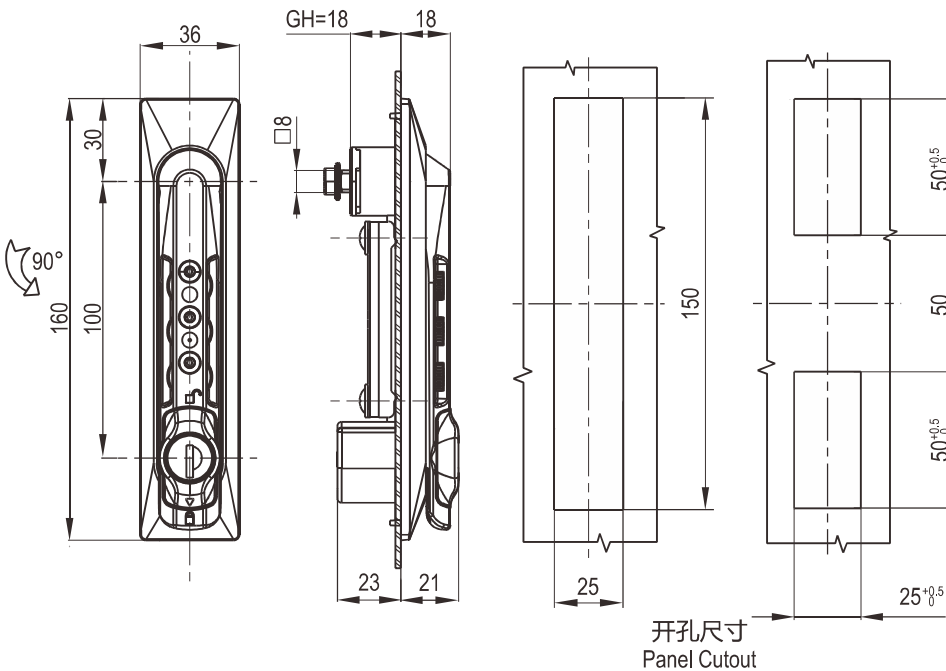
锁具
Lock



黑色 PA 塑料锁体或者锌合金锁体, 锌合金手柄、转轴, 镀锌钢安装紧固件
Black PA or zinc die lock housing, zinc die handle black powder coated, zinc die shaft and m.s. zinc plated fixing parts.

开孔尺寸
Panel Cutout

	锌合金手柄, 塑料座 Zinc die handle, PA housing	全锌合金 Zinc Die	全塑料 PA
小型 Small size	1201-02-0120	1201-02-0220	1201-02-0320



黑色 PA 塑料锁体或者锌合金锁体, 锌合金手柄、转轴, 镀锌钢安装紧固件
Black PA body, zinc die, shaft and m.s. zinc plated fixing parts.

开孔尺寸
Panel Cutout

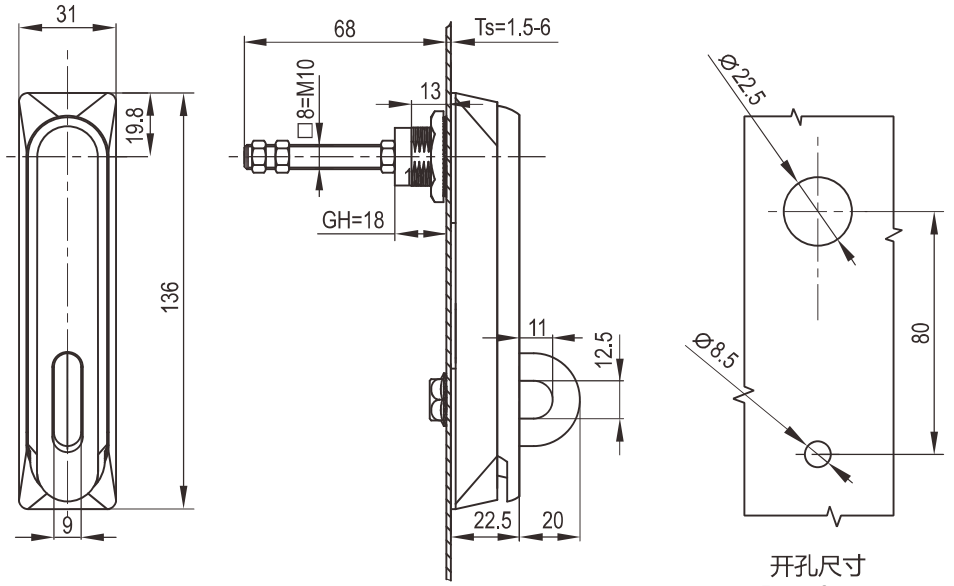
	塑料手柄、锁壳 PA handle and housing
密码型 Code mode	1201-01-0320

可选配件 Accessories ref. to page #
1. 锁舌 见页面 9A-001
CAM ref. to page 9A-001

备注: Remark
1. 专用钥匙可选 Key different on request.
2. CH751 钥匙可选, CH751 key code on request
3. 默认YK333钥匙 Keyed YK333

To get product 3D models freely, Please contact info@yeekaco.com

1B-002

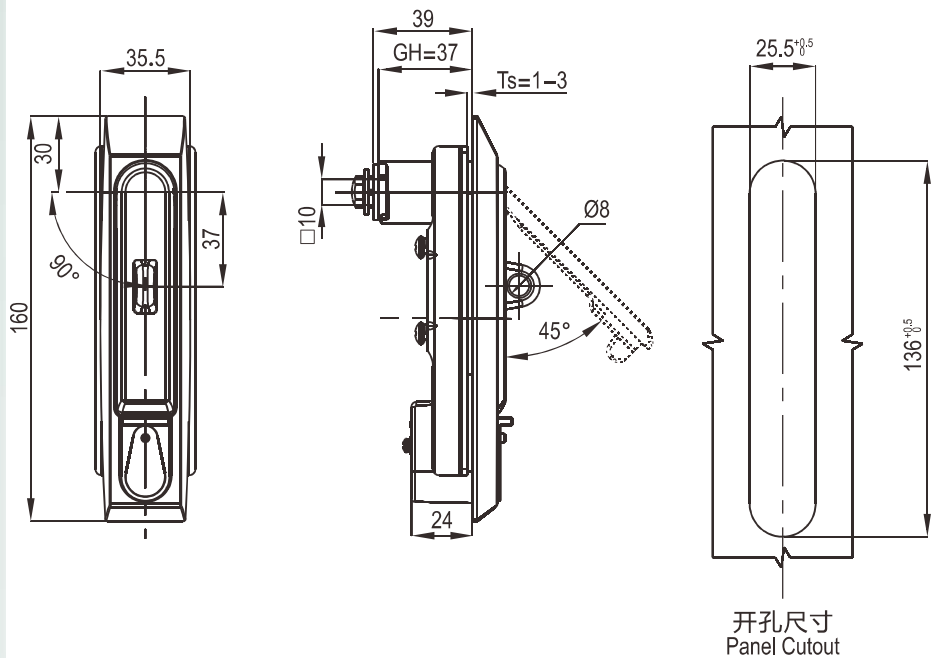


不锈钢锁体、锁舌、螺母
Stainless steel

不锈钢 304 SUS 304	不锈钢 316 SUS 316
1205-304	1205-316



产品正在开发中
2020年12月份开始供
Under development,
shall be available on
December, 2020.



锌合金锁体喷塑亚光黑, 不锈钢挂锁座, 安装板
Zinc die, black powder coated, SUS padlock, mounting bracket

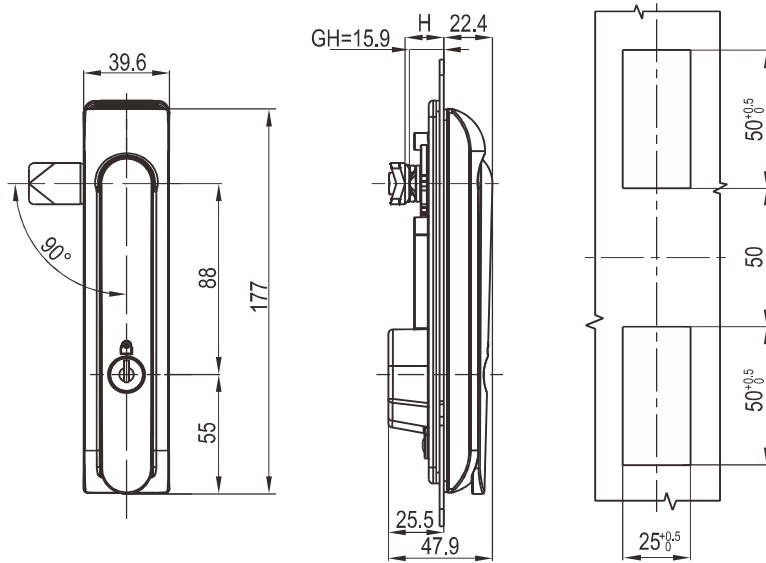
喷塑亚光黑 Black Powder Coated	
不带挂 Without padlock	带挂 Padlockable
1209-101-10	1209-101-10-P

备注: Remark
锁头可换;
锁舌选配开孔 10X10;
Optional cam cutout: 10X10

平面型转动把手 Swinghandle Lock

产品系列: 1207、1208

yeeka



开孔尺寸
Panel Cutout

锌合金锁体，表面处理可做喷塑及电镀
Zinc die body, black powder coated or plating

锁芯 Cylinder style		麻面黑 Black Textured Powder Coated	亮铬 Bright Chrome
CH751 锁芯 CH751 cylinder	不带挂 Without padlock	1207-101-20	1207-101-30
	带挂 Padlockable	1207-101-20-P	1207-101-30-P
三角锁芯 8 Triangle insert 8	不带挂 Without padlock	1207-103-20	1207-103-30
	带挂 Padlockable	1207-103-20-P	1207-103-30-P



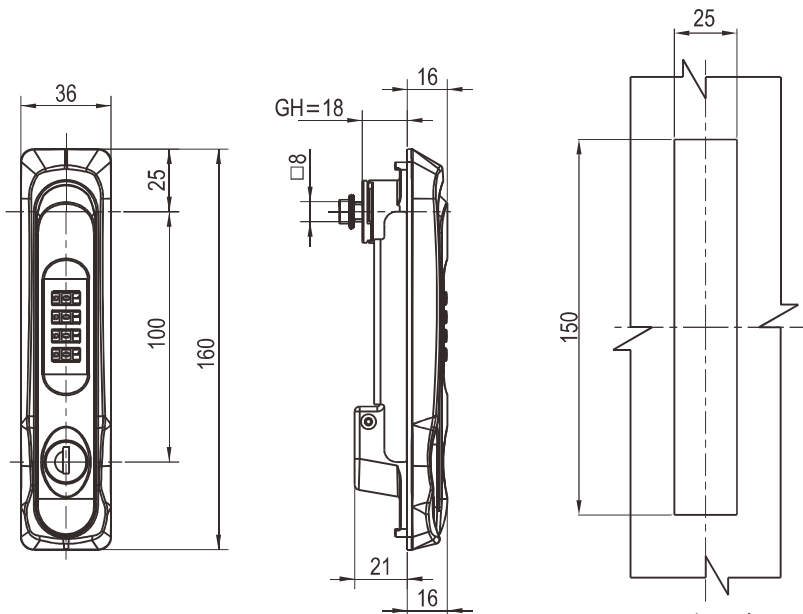
可选配件 Accessories ref. to page #
1. 锁舌 见页面 9A-001
CAM ref. to page 9A-001

备注: Remark

1. 专用钥匙可选 Key different on request.
2. 默认CH751 钥匙, Keyed CH751 key
3. 可配挂锁 Padlockable on request

目录
Index

锁具 Lock



开孔尺寸
Panel Cutout

黑色 PA 塑料锁体, 锌合金手柄, 锌合金手柄、转轴, 镀锌钢安装紧固件
Black PA body, zinc die handle, shaft and m.s. zinc plated fixing parts.

麻面黑 Black Textured Powder Coated	
带锁芯 Key locking	1208-101-20



可选配件 Accessories ref. to page #
1. 锁舌 见页面 9A-003
CAM ref. to page 9A-003

2. 默认YK333钥匙 Keyed Yk333
3. CH751 钥匙可选, CH751 key code on request

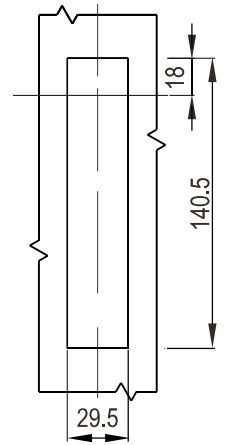
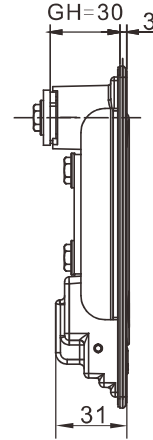
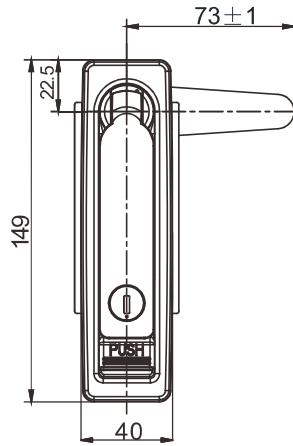
To get product 3D models freely, Please contact info@yeekaco.com

1B-004

RL IP40

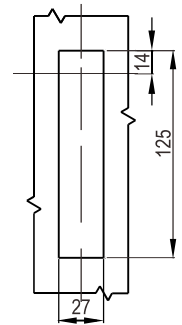
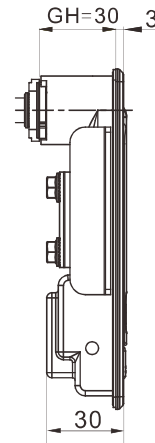
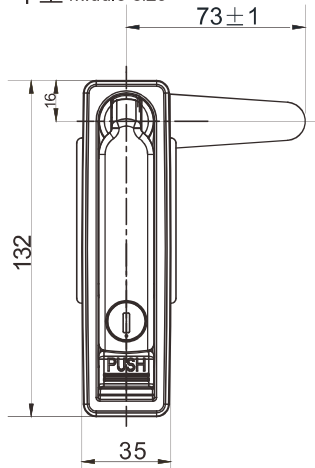


大型 Large size



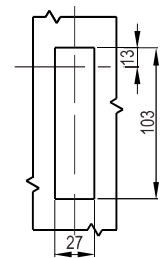
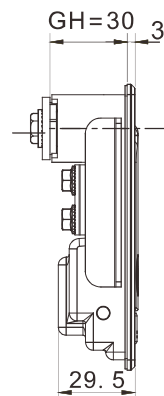
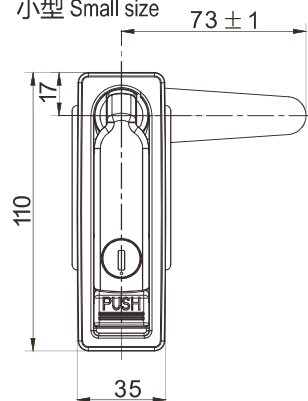
开孔尺寸
Panel Cutout

中型 Middle size



开孔尺寸
Panel Cutout

小型 Small size



开孔尺寸
Panel Cutout

锌合金锁壳、手柄、按钮、锁芯；镀锌锁舌、压板

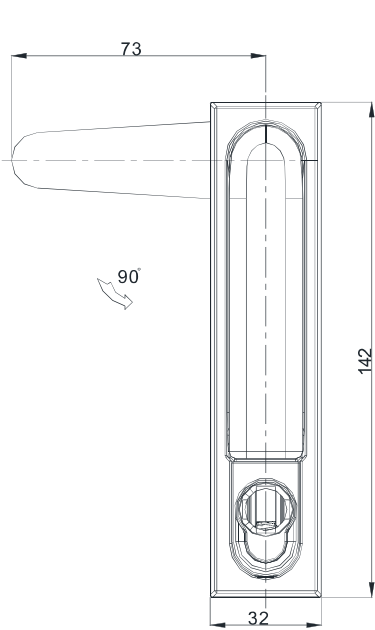
Zinc die casting handle ,housing ,button and cylinder; m.s. zinc plated cam and fixing parts.

	沙铬 Satin Chrome	喷塑亚光黑 Black Powder Coated
大型 Large size	1221-01-40	1221-01-10
中型 Middle size	1221-02-40	1221-02-10
小型 Small size	1221-03-40	1221-03-10

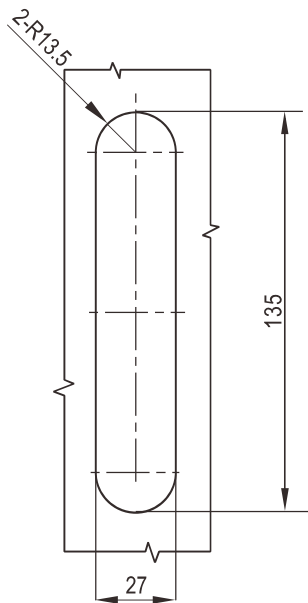
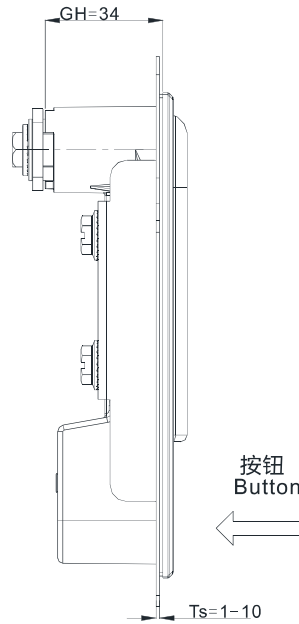
按钮型转动把手 Pushbutton Lock

产品系列: 1222

yeeka



方型 Square type



开孔尺寸
Panel Cutout

铝合金锁壳, 黑色锌合金手柄; 镀锌锁舌, 镀铬锌合金锁头
Aluminum alloy handle, Zinc die; m.s. zinc plated cam.

锁芯 cylinder style	喷漆亚光黑 Black Powder Coated
1117 钥匙 1117 Key	1222-1P01-10
0200 钥匙 0200 Key	1222-1P02-10

RL IP65



目录
Index

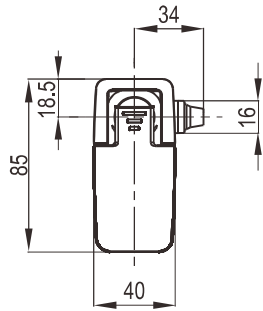
锁具 Lock

To get product 3D models freely, Please contact info@yeekaco.com

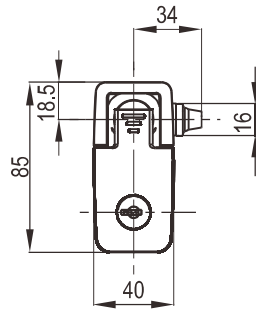
可选配件: Accessories ref. page#
1. 锁舌 见页面 9A-003
Cam ref. to page 9A-003

1B-006

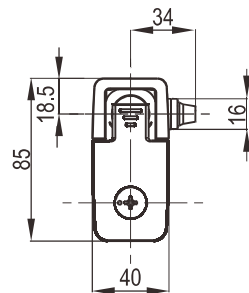
IP65



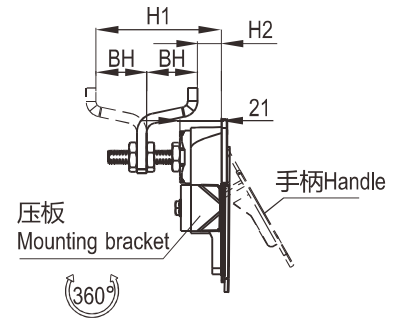
无锁芯 Non-locking



带锁芯 Key locking



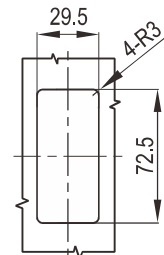
十字槽锁芯
Tooling-Secured



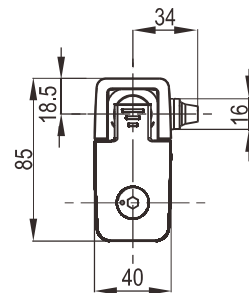
压板
Mounting bracket

手柄 Handle

360°



开孔尺寸
Panel cutout



内六角4
Hexagon female 4

备注: Remark
默认CH751 钥匙, Keyed CH751 key

锌合金锁壳、手柄; 镀锌锁舌
Zinc die handle and housing black powder coated or bright chrome; m.s. zinc plated cam and shaft

如需获得产品3D模型图, 请联系 info@yeekaco.com

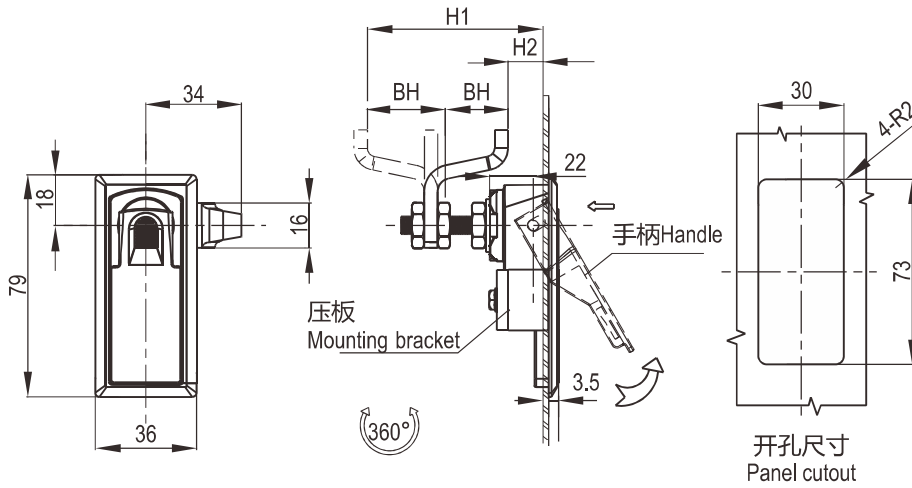
止口高度 Grip-Range		锁芯类型 Cylinder Style	喷塑亚光黑 Black Powder Coated	亮铬 Bright Chrome
正 Pawl Forward MIN-MAX	反 Pawl Reversed MIN-MAX			
6~16	56~66	无锁芯 Non-locking	1240-00-110	1240-00-130
16~26	46~56		1240-00-210	1240-00-230
26~36	36~46		1240-00-310	1240-00-330
6~16	56~66	带锁芯 Key locking	1240-10-110	1240-10-130
16~26	46~56		1240-10-210	1240-10-230
26~36	36~46		1240-10-310	1240-10-330
6~16	56~66	十字槽 Tooling-Secured	1240-11-110	1240-11-130
16~26	46~56		1240-11-210	1240-11-230
26~36	36~46		1240-11-310	1240-11-330
6~16	56~66	内六角4 Hexagon female 4	1240-12-110	1240-12-130
16~26	46~56		1240-12-210	1240-12-230
26~36	36~46		1240-12-310	1240-12-330

压缩式门锁 Compression Latch

产品系列: 1241

yeeka

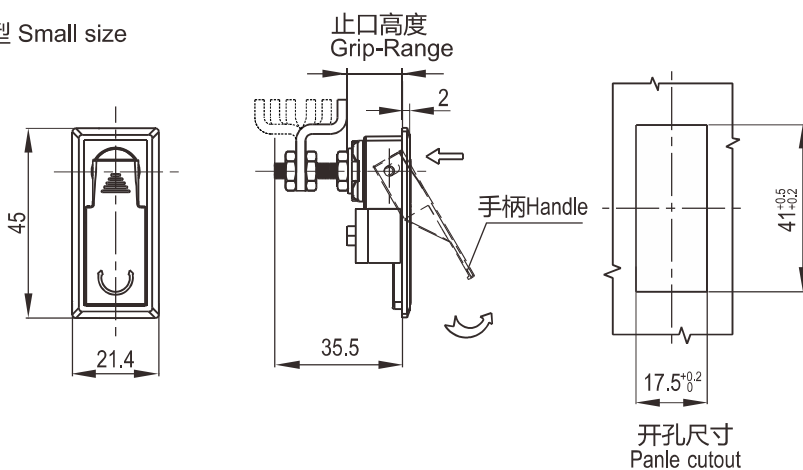
大型 Large size



锌合金锁壳、手柄；镀锌锁舌
Zinc die handle and housing black powder coated or bright chrome; m.s. zinc plated cam and shaft

止口高度 Grip-Range		锁芯类型 Cylinder Style	喷塑亚光黑 Black powder coated	亮铬 Bright Chrome
正 Pawl Forward MIN-MAX	反 Pawl Reversed MIN-MAX			
6~16	56~66	不带锁芯 Non-locking	1241-00-110	1241-00-130
16~26	46~56		1241-00-210	1241-00-230
26~36	36~46		1241-00-310	1241-00-330

小型 Small size



锌合金锁壳、手柄；镀锌锁舌
Zinc die handle and housing black powder coated or bright chrome; m.s. zinc plated cam and shaft

止口高度 Grip-Range		锁芯类型 Cylinder Style	喷塑亚光黑 Black powder coated	亮铬 Bright Chrome
正 Pawl Forward MIN-MAX	反 Pawl Reversed MIN-MAX			
4.5~10.5	34.5~40.5	不带锁芯 Non-locking	1241-200-110	1241-200-130
10.5~16.5	28.5~34.5		1241-200-210	1241-200-230
16.5~22.5	22.5~28.5		1241-200-310	1241-200-330

IP65



目录
Index

锁具
Lock

To get product 3D models freely, Please contact info@yeekaco.com

1B-008

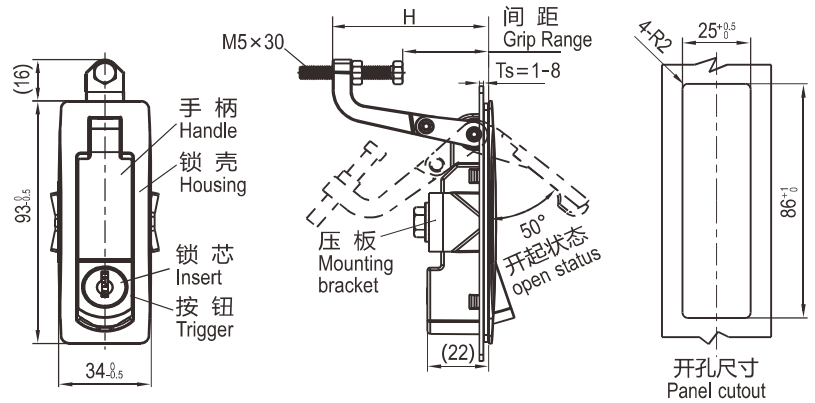
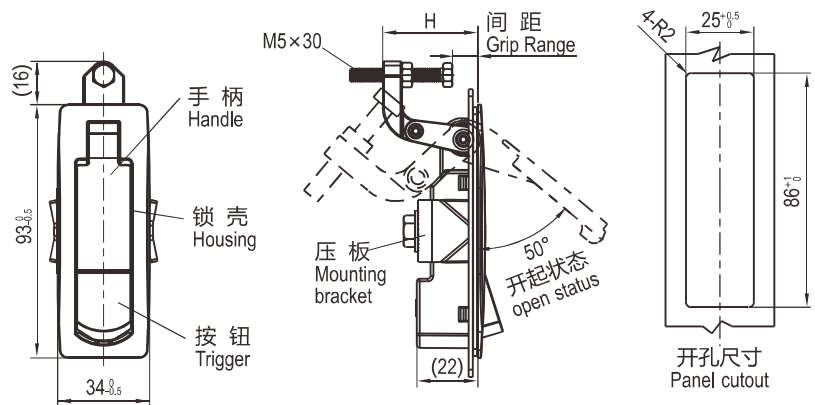
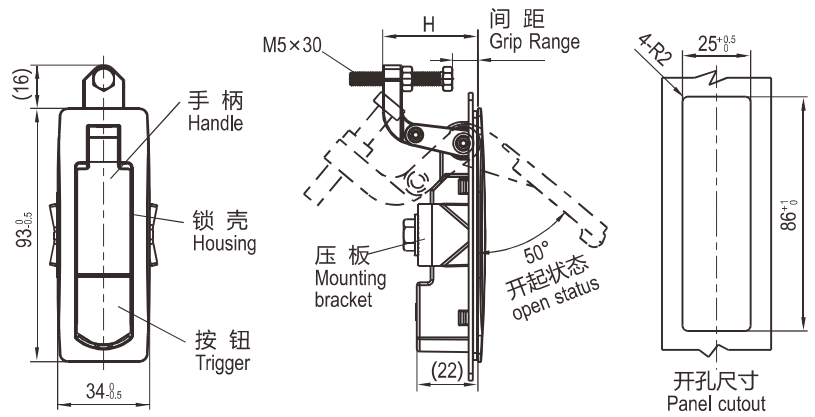
IP65 NEW



备注: Remark
默认CH751 钥匙, Keyed CH751 key

黑色锌合金锁壳、手柄、按钮; 镀锌钢安装件

Zinc die handle ,housing and trigger black powder coated or bright chrome; m.s. zinc plated screw and fixing parts



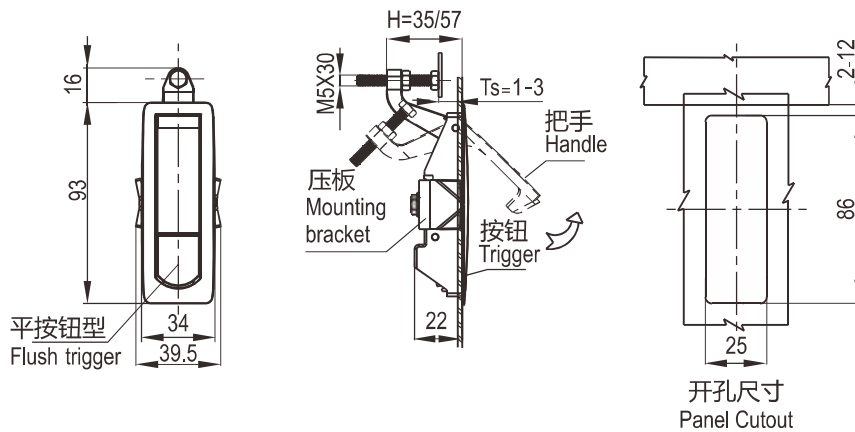
如需获得产品3D模型图, 请联系 info@yeekaco.com

止口高度Grip-Range	1~24		23~46	
	短杠杆 Short Arm		长杠杆 Longer Arm	
按钮款式 Trigger Style	喷塑亚光黑 Black powder coated	亮铬 Bright Chrome	喷塑亚光黑 Black powder coated	亮铬 Bright Chrome
无钥匙升高型 Non-locking raised trigger	1242-A124-10	1242-A124-30	1242-A146-10	1242-A146-30
无钥匙齐平型 Non-locking Flush trigger	1242-A224-10	1242-A224-30	1242-A246-10	1242-A246-30
带锁芯(CH751) Key locking	1242-A324-10	1242-A324-30	1242-A346-10	1242-A346-30
十字槽 Tooling-Secured	1242-A524-10	1242-A524-30	1242-A546-10	1242-A546-30
带CH751钥匙锁带防尘盖型 CH751 key locking,with shutter	1242-A624-10	1242-A624-30	1242-A646-10	1242-A646-30
内六角4mm Hexagon female 4mm	1242-A724-10	1242-A724-30	1242-A746-10	1242-A746-30
内四方8.5mm Female square 8.5mm	1242-A824-10	1242-A824-30	1242-A846-10	1242-A846-30

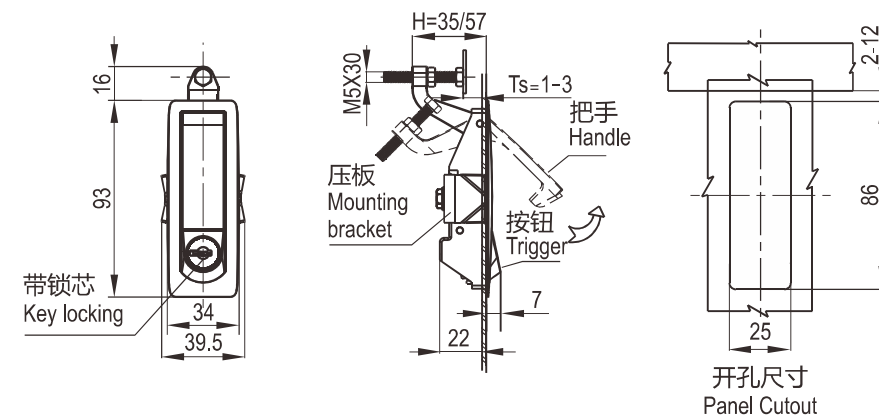
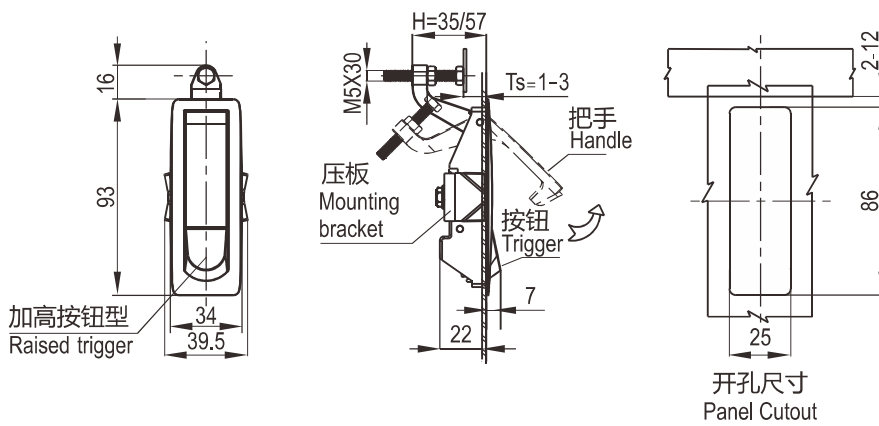
杆杠门锁

Lever Latch

产品系列: 1242



IP40



备注: Remark
默认CH751 钥匙, Keyed CH751 key

黑色锌合金锁壳、手柄、按钮; 镀锌钢安装件
Zinc die handle, housing and trigger black powder coated or bright chrome; m.s. zinc plated screw and fixing parts

止口高度 Grip-Range	1~24		23~46	
	短杠杆 Short Arm		长杠杆 Longer Arm	
按钮款式 Trigger Style	喷塑亚光黑 Black powder coated	亮铬 Bright Chrome	喷塑亚光黑 Black powder coated	亮铬 Bright Chrome
无钥匙升高型 Non-locking raised trigger	1242-124-10	1242-124-30	1242-146-10	1242-146-30
无钥匙齐平型 Non-locking Flush trigger	1242-224-10	1242-224-30	1242-246-10	1242-246-30
带锁芯(CH751) Key locking	1242-324-10	1242-324-30	1242-346-10	1242-346-30
十字槽 Tooling-Secured	1242-524-10	1242-524-30	1242-546-10	1242-546-30
带CH751钥匙锁带防尘盖型 CH751 key locking, with shutter	1242-624-10	1242-624-30	1242-646-10	1242-646-30
内六角4mm Hexagon female 4mm	1242-724-10	1242-724-30	1242-746-10	1242-746-30
内四方8.5mm Female square 8.5mm	1242-824-10	1242-824-30	1242-846-10	1242-846-30

目录 Index
锁具 Lock

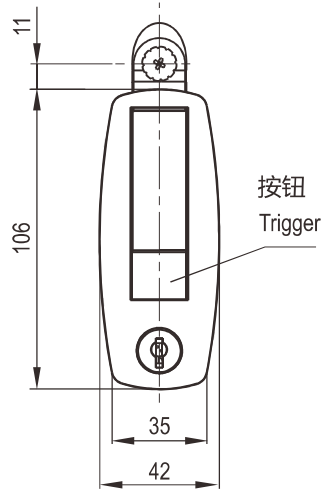
To get product 3D models freely, Please contact info@yeekaco.com

1B-010

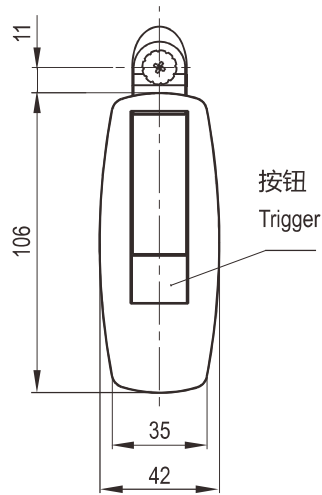
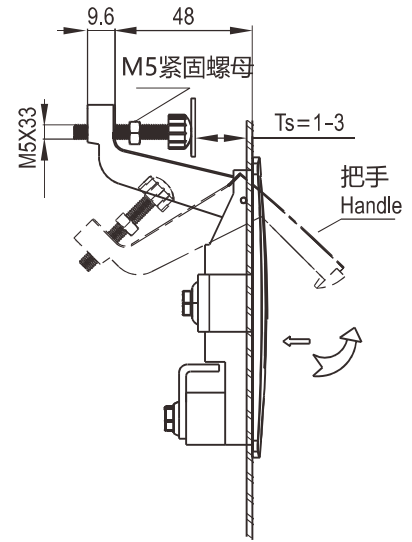
IP40

目录
Index

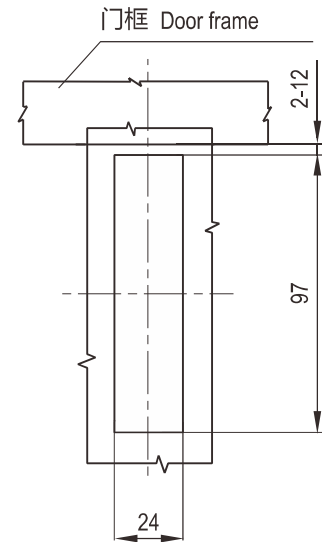
锁具
Locks



带锁芯
Key locking



无锁芯
Non-locking



开孔尺寸
Panel Cutout

黑色锌合金锁壳、手柄、按钮；镀锌钢安装件
Zinc die handle ,housing and button; m.s. zinc plated fixing parts.

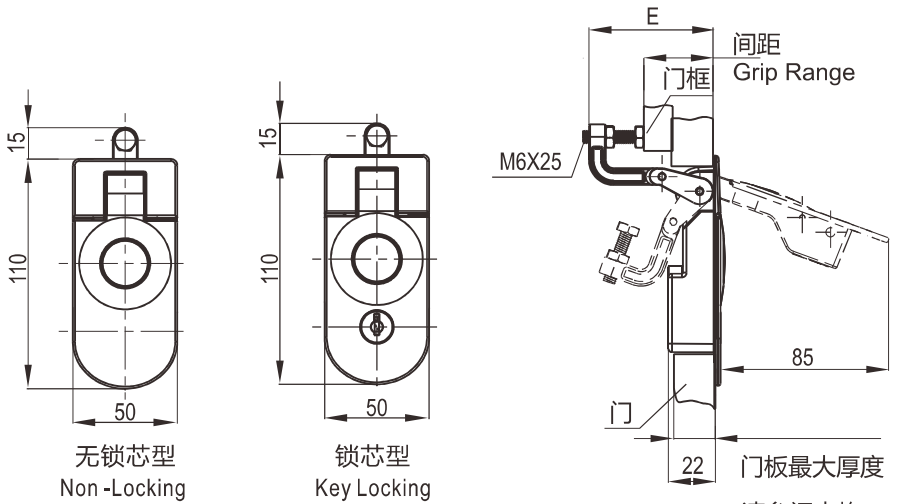
带锁芯 Key Locking (CH751)	1244-10-10
无锁芯 Non-Locking	1244-00-10

如需获得产品3D模型图，请联系 info@yeekaco.com

杆杠门锁 Lever Latch

产品系列: 1245

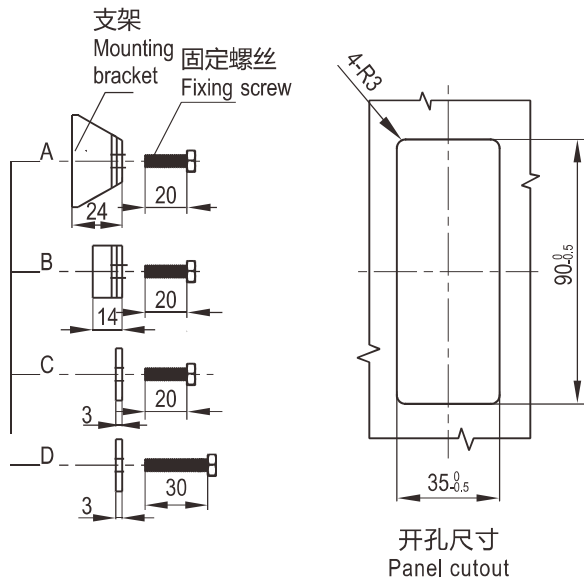
yeeka



无锁芯型
Non-Locking

锁芯型
Key Locking

门板最大厚度
请参阅表格
Max panel Ts, ref.
to below table



开孔尺寸
Panel cutout

黑色锌合金锁壳、手柄、按钮；镀锌钢安装件
Zinc die handle, housing and trigger; m.s. zinc plated fixing parts



固定安装块 Mounting bracket	门板厚度 Panel thickness		间距 Grip Range		E	不带钥匙锁 Non-locking	带CH751钥匙锁带防尘盖型 CH751 key locking with shutter	带CH751钥匙锁 CH751 key locking	十字槽 Tooling-secured	内六角4 Hexagon female 4
	最小MIN	最大MAX	最小MIN	最大MAX						
A	1	11	1	14	29	1245-114-201	1245-214-201	1245-314-201	1245-414-201	1245-914-201
B	11	21				1245-114-202	1245-214-202	1245-314-202	1245-414-202	1245-914-202
A	1	11	14	29	44	1245-129-201	1245-229-201	1245-329-201	1245-429-201	1245-929-201
B	11	21				1245-129-202	1245-229-202	1245-329-202	1245-429-202	1245-929-202
C	21	31				1245-129-203	1245-229-203	1245-329-203	1245-429-203	1245-929-203
A	1	11	29	45	60	1245-145-201	1245-245-201	1245-345-201	1245-445-201	1245-945-201
B	11	21				1245-145-202	1245-245-202	1245-345-202	1245-445-202	1245-945-202
C	21	31				1245-145-203	1245-245-203	1245-345-203	1245-445-203	1245-945-203
D	31	41				1245-145-204	1245-245-204	1245-345-204	1245-445-204	1245-945-204
A	1	11	45	57	72	1245-157-201	1245-257-201	1245-357-201	1245-457-201	1245-957-201
B	11	21				1245-157-202	1245-257-202	1245-357-202	1245-457-202	1245-957-202
C	21	31				1245-157-203	1245-257-203	1245-357-203	1245-457-203	1245-957-203
D	31	41				1245-157-204	1245-257-204	1245-357-204	1245-457-204	1245-957-204

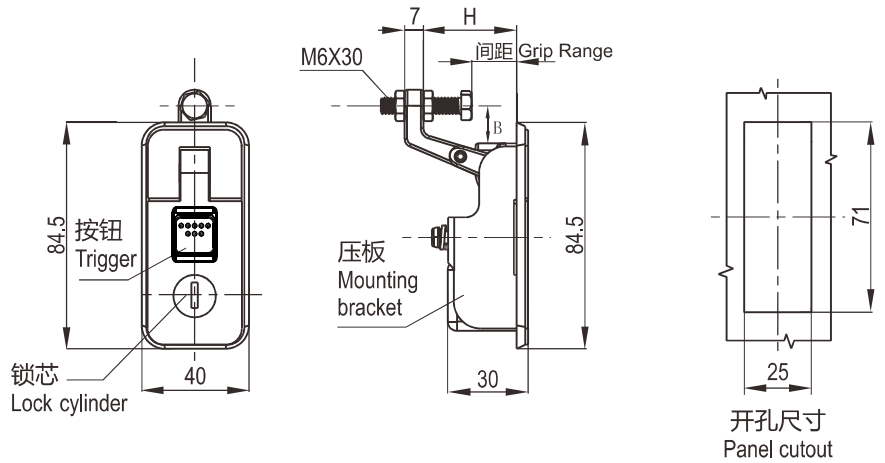
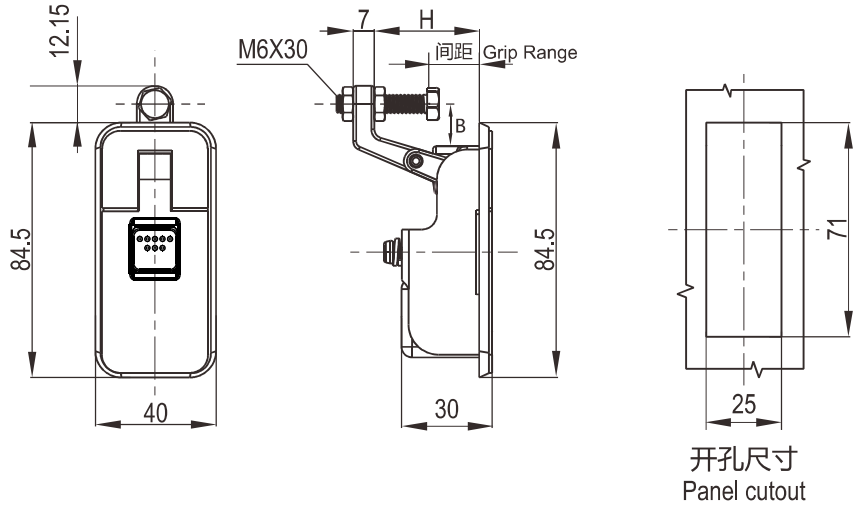
目录
Index

锁具
Lock

To get product 3D models freely, Please contact info@yeekaco.com

1B-012

IP40



备注: Remark
默认CH751 钥匙, Keyed CH751

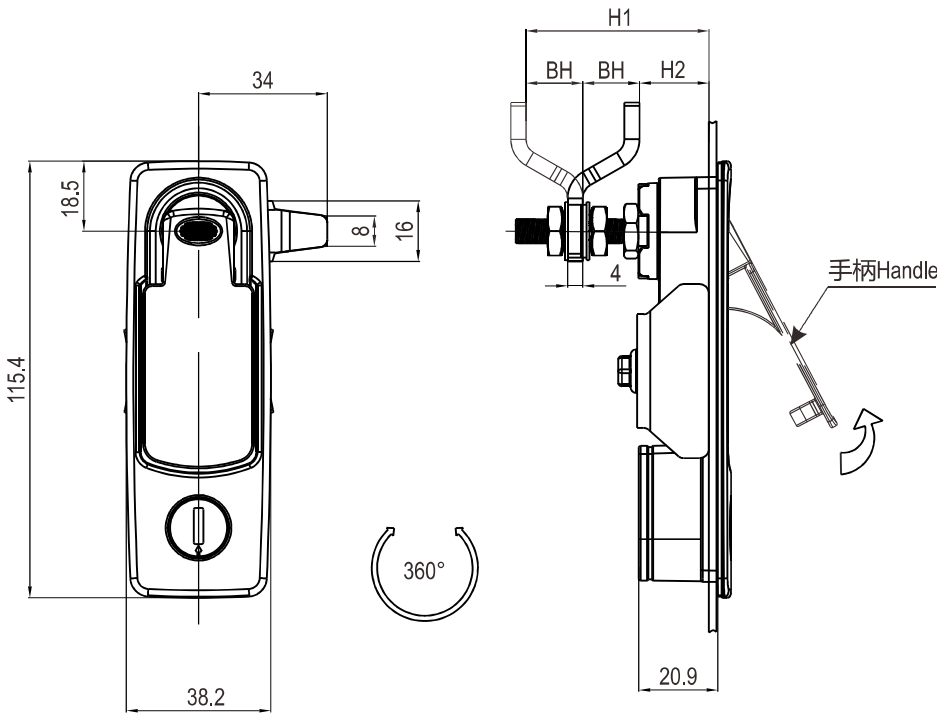
黑色锌合金锁壳、手柄、按钮; 镀锌钢安装件
Zinc die handle, housing and trigger; m.s. zinc plated fixing parts

				喷塑亚光黑 Black powder coated		亮铬 Bright Chrome	
门板厚度 Panel Thickness	间距 Grip Range	H	B	不带锁芯型 Non-locking	带CH751钥匙锁带防尘盖型 CH751 locking with shutter	不带锁芯型 Non-locking	带CH751钥匙锁带防尘盖型 CH751 locking with shutter
1 to 11mm	1-25mm	36.50	13.50	1246-100-10	1246-110-10	1246-100-30	1246-110-30
1 to 11mm	15-30mm	40.00	28.50	1246-200-10	1246-210-10	1246-200-30	1246-210-30

压缩式门锁 Compression Latch

产品系列: 1247

yeeka



开孔尺寸
Panel Cutout

锌合金锁壳、手柄；镀锌锁舌
Zinc die handle and housing black powder coated or bright chrome; m.s. zinc plated cam and shaft

止口高度 Grip-Range		1247 锁芯 Key Locking	
正 Pawl Forward	反 Pawl Reversed	喷塑亚光黑 Black Powder Coated	亮铬 Bright Chrome
6-16	56-66	1247-10-110	1247-10-130
16-26	46-56	1247-10-210	1247-10-230
26-36	36-46	1247-10-310	1247-10-330

IP65

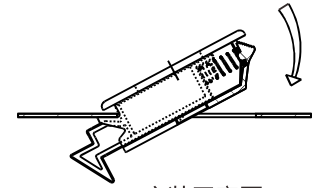
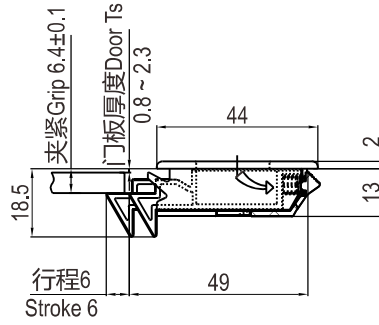


目录
Index

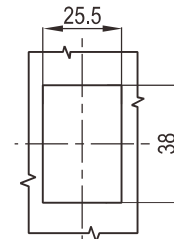
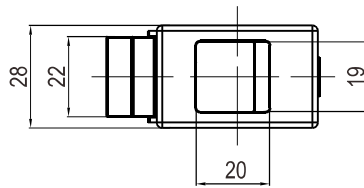
锁具
Lock

To get product 3D models freely, Please contact info@yeekaco.com

1B-014



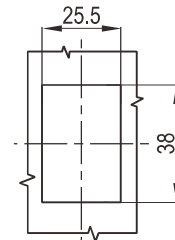
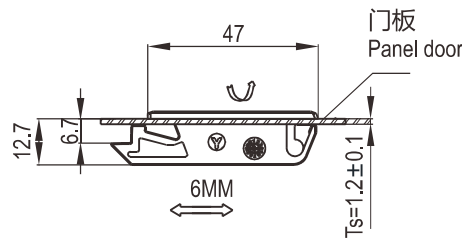
安装示意图
Installation diagram



开孔尺寸
Panel Cutout

黑色 Black PA

1250-20



开孔尺寸
Panel Cutout

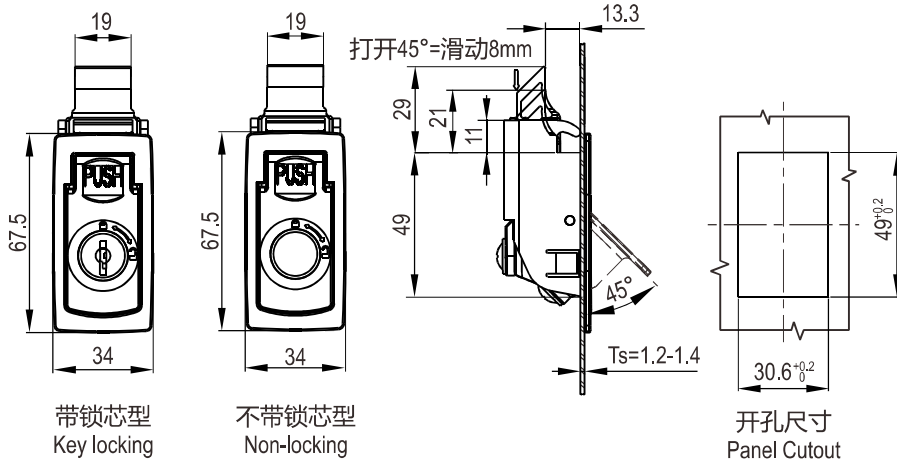
黑色 Black ABS

1251-20

卡式侧门锁 Snap-in Slide Latch

产品系列: 1252、1254

yeeka



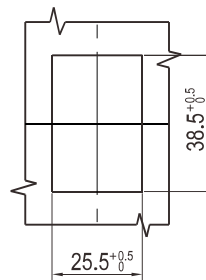
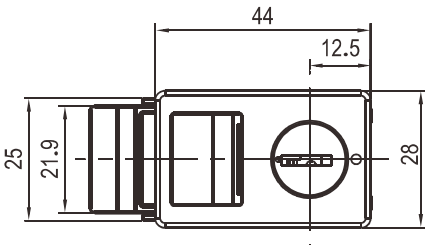
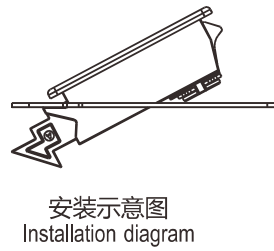
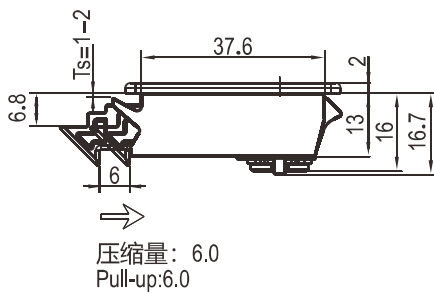
黑色PA+GF
Black PA+GF

带锁芯型 Key locking (YK333)	1252-10
不带锁芯型 Non-locking	1252-00



目录
Index

锁具
Lock



黑色PA锁壳, 锁舌, 锁芯; YK333钥匙
black PA housing, cam, insert; YK333 key

黑色 Black PA	1254-20
-------------	---------

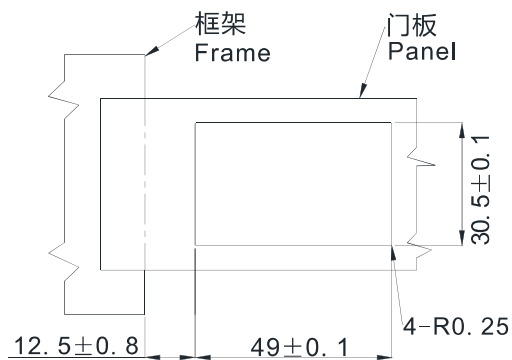
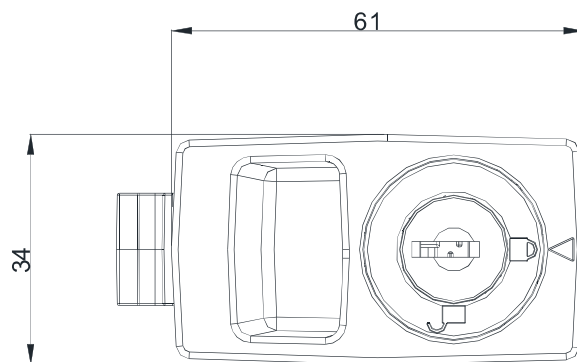
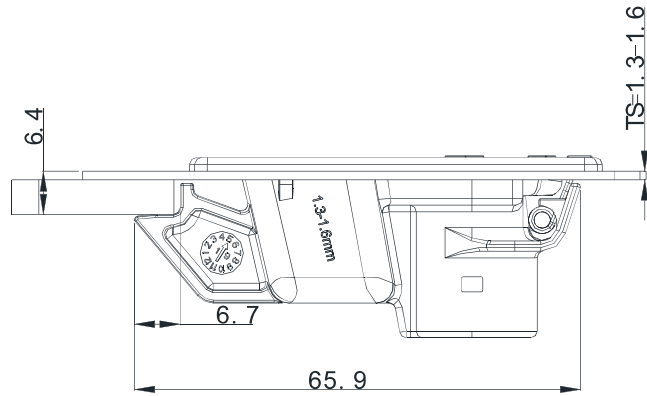
默认YK333钥匙 Keyed YK333



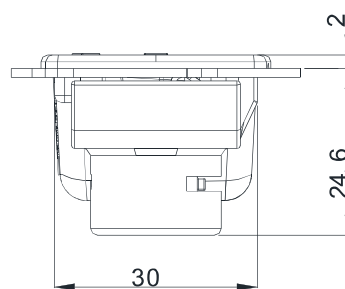
To get product 3D models freely, Please contact info@yeekaco.com

1B-016

NEW



开孔尺寸
Panel Cutout



塑料锁体 CH751 钥匙
Plastic body, CH751 key

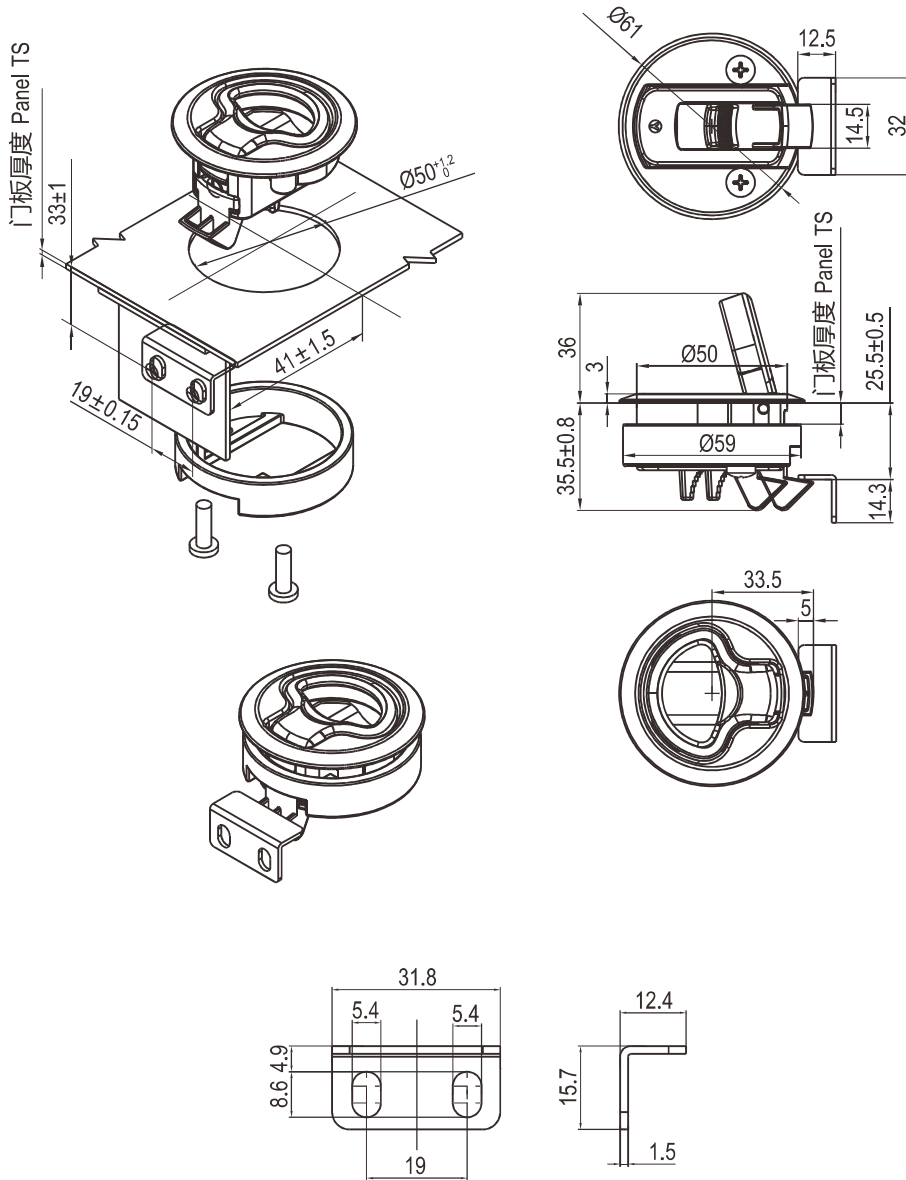
黑色 Black

1255-10-13-90

按压式门锁 Slam Latch

产品系列: 1256

yeeka



塑料锁体或锌合金锁体,可做不锈钢
Plastic, zinc die or stainless steel lock body

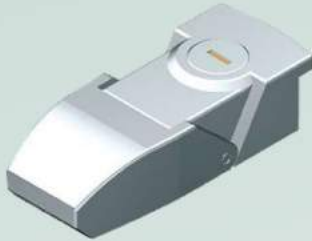
门板厚度 Panel thickness		固定支架高度 Mounting bracket height	固定螺丝高度 Fixingscrew length	带锁芯型 (CH751) Key Locking version (CH751)				不带锁芯型 Non-locking version			
最小MIN	最大MAX			全不锈钢 Stainless steel	塑料黑色 Acetal black	塑料灰棕色 Acetal Grey	锌合金 Zinc die	全不锈钢 Stainless steel	塑料黑色 Acetal black	塑料灰棕色 Acetal Grey	锌合金 Zinc die
2	7	14	16	1256-10-2-316	1256-10-2-PAB	1256-10-2-PAG	1256-10-2-20	1256-00-2-316	1256-00-2-PAB	1256-00-2-PAG	1256-00-2-20
7	12	14	20	1256-10-7-316	1256-10-7-PAB	1256-10-7-PAG	1256-10-7-20	1256-00-7-316	1256-00-7-PAB	1256-00-7-PAG	1256-00-7-20
12	17	3.8	16	1256-10-12-316	1256-10-12-PAB	1256-10-12-PAG	1256-10-12-20	1256-00-12-316	1256-00-12-PAB	1256-00-12-PAG	1256-00-12-20
17	22	3.8	20	1256-10-17-316	1256-10-17-PAB	1256-10-17-PAG	1256-10-17-20	1256-00-17-316	1256-00-17-PAB	1256-00-17-PAG	1256-00-17-20

目录
Index

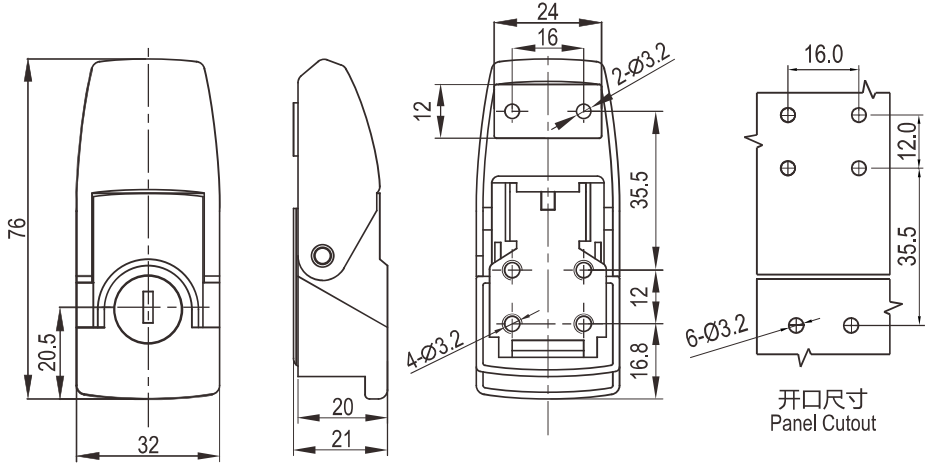
锁具
Lock

To get product 3D models freely, Please contact info@yeekaco.com

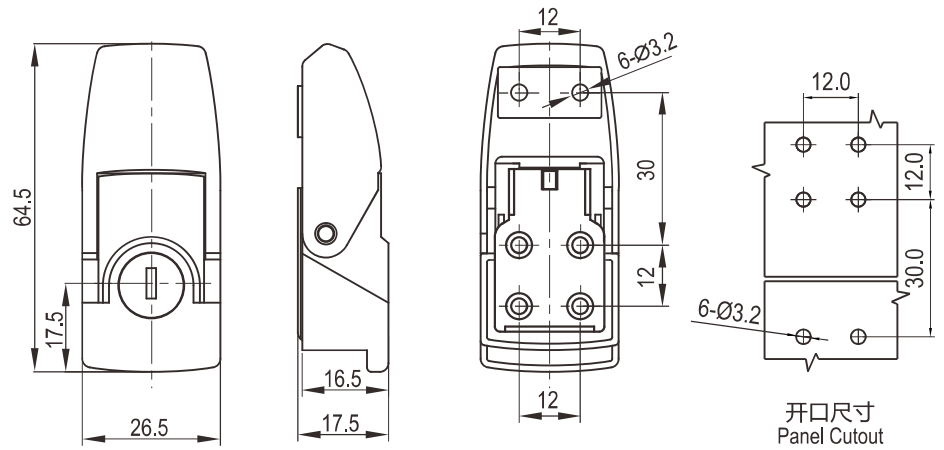
1B-018



大型 Large size



小型 Small size



锌合金, 喷塑亚光黑或电镀
Zinc die, black powder coated or chrome plating

如需获得产品3D模型图, 请联系 info@yeekaco.com

		带锁芯 Key Locking	无锁芯 Non-Locking
喷塑亚光黑 Black Powder Coated	大型 Large size	1261-110-10	1261-100-10
	小型 Small size	1261-210-10	1261-200-10
亚光铬 Stain chrome	大型 Large size	1261-110-39	1261-100-39
	小型 Small size	1261-210-39	1261-200-39

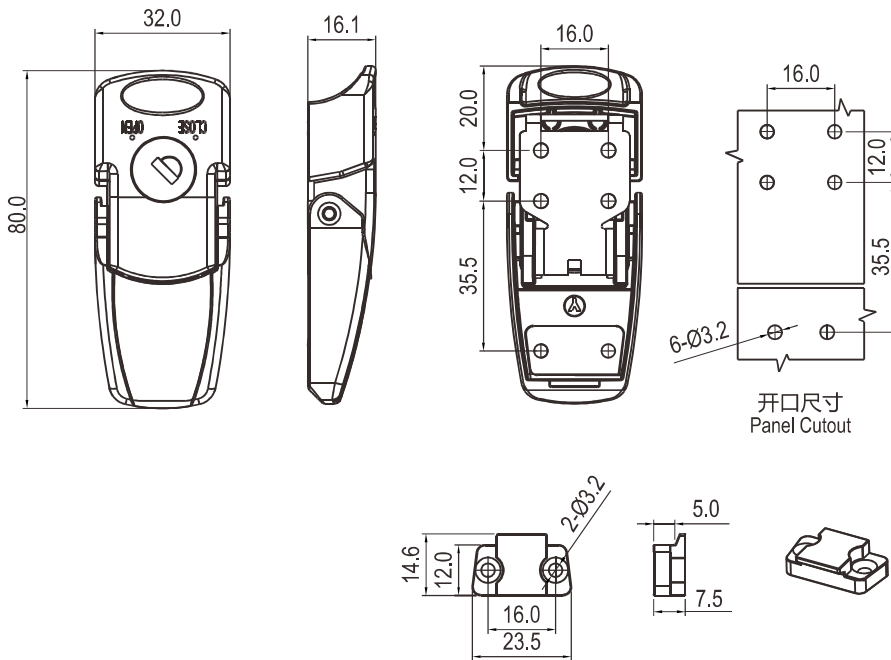
拉动式门锁

Over-center Draw Latch

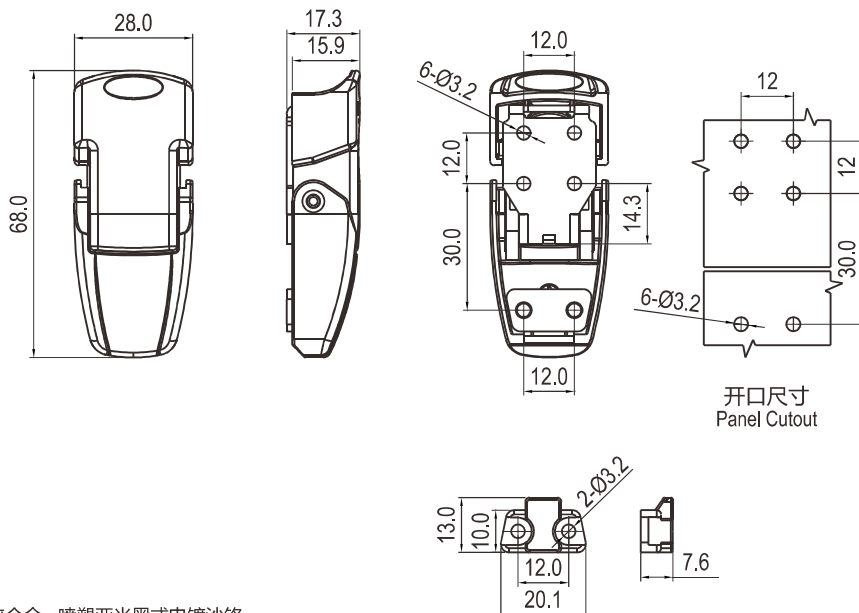
产品系列: 1262

yeeka

大型 Large size



小型 Small size



锌合金, 喷塑亚光黑或电镀沙铬
Zinc die, black powder coated or satin chrome

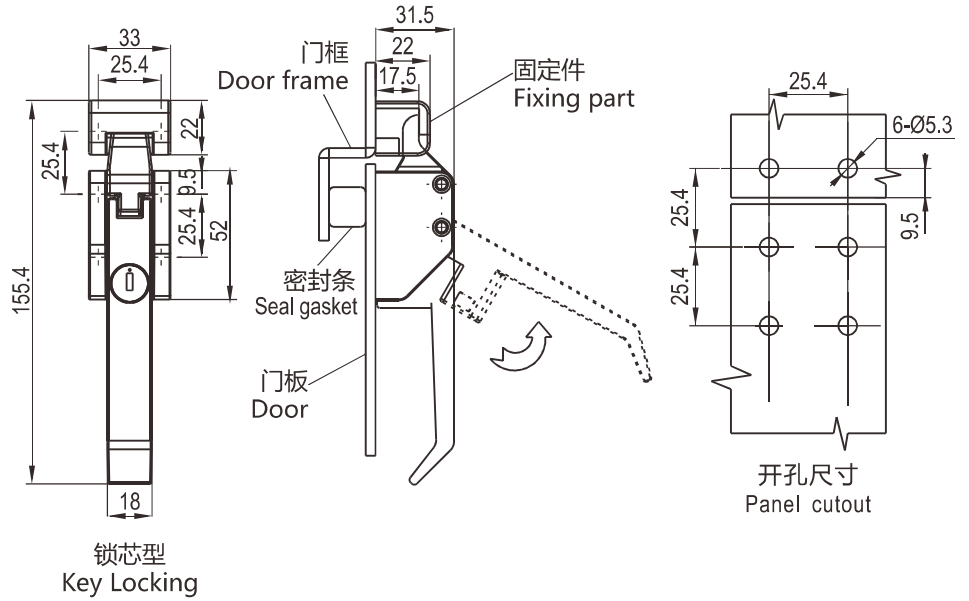
		带锁芯 Key Locking	无锁芯 Non-Locking
喷塑亚光黑 Black Powder Coated	大型 large size	1262-110-10	1262-100-10
	小型 Small size	1262-210-10	1262-200-10
沙铬 Satin Chrome	大型 large size	1262-110-40	1262-100-40
	小型 Small size	1262-210-40	1262-200-40

目录
Index

锁具
Lock

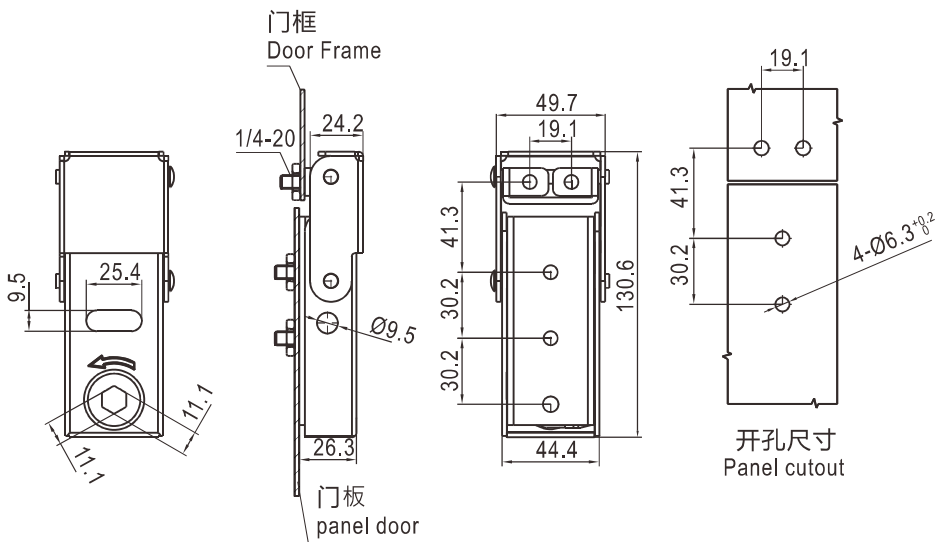
To get product 3D models freely, Please contact info@yeekaco.com

1B-020



锌合金, 喷塑亚光黑或电镀亮铬
Zinc die, black powder coated or bright chrome

	螺丝孔 Screw Hole M5X0.8			螺丝孔 Screw Hole 10-32UNC		
	喷塑亚光黑 Black Powder Coated	亮铬 Bright Chrome	全不锈钢 Stainless Steel	喷塑亚光黑 Black Powder Coated	亮铬 Bright Chrome	全不锈钢 Stainless Steel
带锁芯 CH751 Locking	1271-10-10	1271-10-30	1271-10-316	1271-110-10	1271-110-30	1271-110-316
不带锁芯 Non-locking	1271-00-10	1271-00-30	1271-00-316	1271-100-10	1271-100-30	1271-100-316



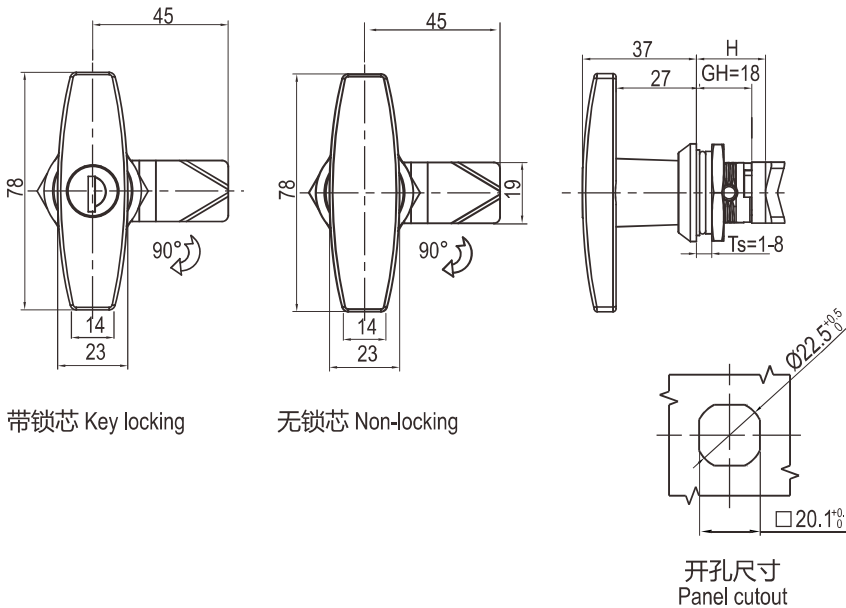
不锈钢 316 或 304
SUS 316 or 304

材质 Material	
不锈钢 316 SUS 316	1272-10-316

拉手锁 Handle Lock

产品系列: 1301

yeeka



带锁芯 Key locking

无锁芯 Non-locking

开孔尺寸
Panel cutout

锌合金锁壳、手柄；镀锌锁舌。
Zinc die housing and handle; m.s. zinc plated cam.

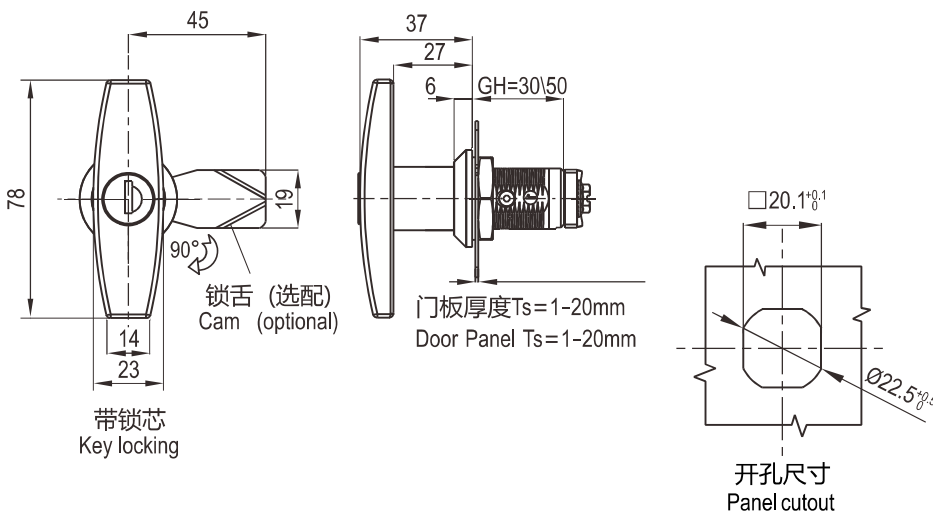
	麻面黑 Black Textured Powder Coated	亮铬 Bright Chrome	全不锈钢 SUS 316
带锁芯 Key Locking	1301-10-20	1301-10-30	1301-10-316
不带锁芯 Non-locking	1301-00-20	1301-00-30	1301-00-316

STAINLESS SERIES **RL IP65**



可选配件 Accessories ref. to page #
1. 锁舌 见页面 9A-001
CAM ref. to page 9A-001

备注: Remark
1. 专用钥匙可选 Key different on request.
2. CH751 钥匙可选, CH751 key code on request
3. 默认YK333钥匙 Keyed YK333



带锁芯
Key locking

锁舌 (选配)
Cam (optional)

门板厚度 Ts=1-20mm
Door Panel Ts=1-20mm

开孔尺寸
Panel cutout

锌合金锁壳、手柄；喷塑亚光黑或电镀亮铬。镀锌锁舌。
Zinc die handle and housing black powder coated or bright chrome; zinc plated cam.

	GH=30		GH=50		GH=60	
	亮铬 Bright Chrome	麻面黑 Black Textured Powder Coated	亮铬 Bright Chrome	麻面黑 Black Textured Powder Coated	亮铬 Bright Chrome	麻面黑 Black Textured Powder Coated
带锁芯 Key Locking	1301-30110-30	1301-30110-20	1301-50110-30	1301-50110-20	1301-60110-30	1301-60110-20
不带锁芯 Non-locking	1301-30100-30	1301-30100-20	1301-50100-30	1301-50100-20	1301-60100-30	1301-60100-20

RL IP65

NEW



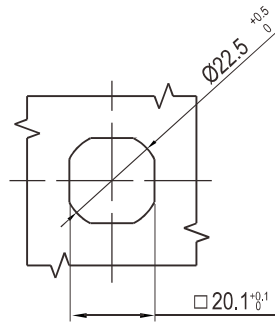
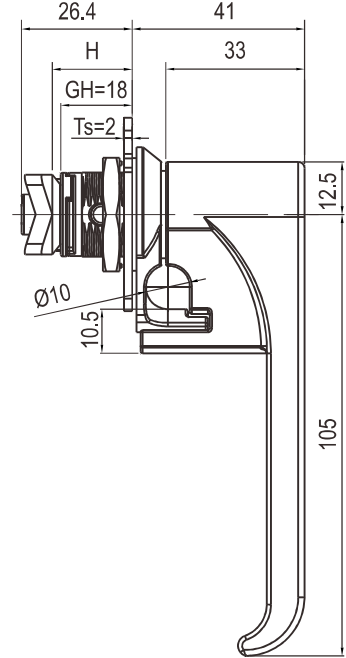
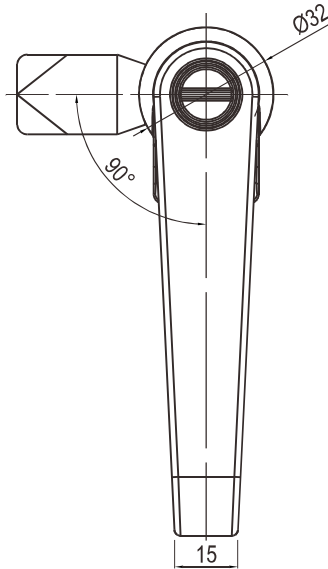
可选配件 Accessories ref. to page #
1. 锁舌 见页面 9A-001
CAM ref. to page 9A-001
2. 默认YK333钥匙 Keyed Yk333

目录
Index

锁具
Lock

To get product 3D models freely, Please contact info@yeekaco.com

1C-001



开孔尺寸
Panel cutout

锌合金锁壳、手柄；镀锌锁舌。
Zinc die housing and handle; m.s. zinc plated cam.

可选配件 Accessories ref. to page #
1. 锁舌 见页面 9A-001
CAM ref. to page 9A-001

- 备注: Remark
1. 专用钥匙可选 Key different on request.
 2. CH751 钥匙可选, CH751 key code on request
 3. 锁芯不带自动回位功能
Insert is without spring loaded
 4. 默认YK333钥匙 Keyed YK333

	麻面黑 Black Textured Powder Coated	喷沙镀铬 Textured Chrome Plated
带锁芯 Key Locking	1310-10-20	1310-10-79
不带锁芯 Non-locking	1310-00-20	1310-00-79
2X4 直槽防硬币型 2X4 Slot coin proof insert	1310-124-20	1310-124-79

拉手锁 Handle Lock

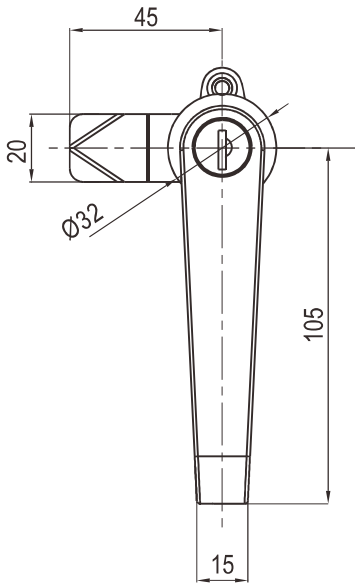
产品系列: 1311

yeeka

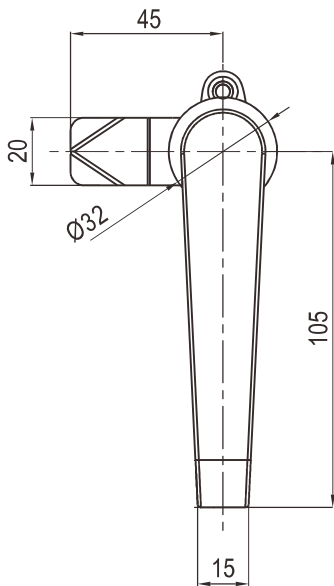
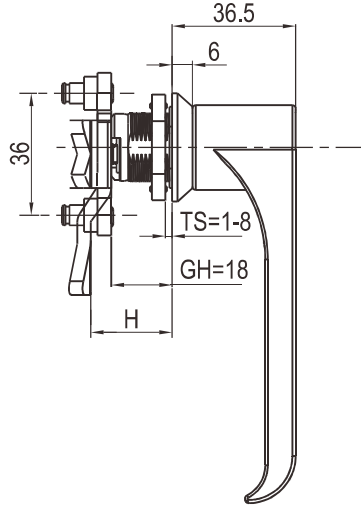
STAINLESS SERIES
RL IP65

目录
Index

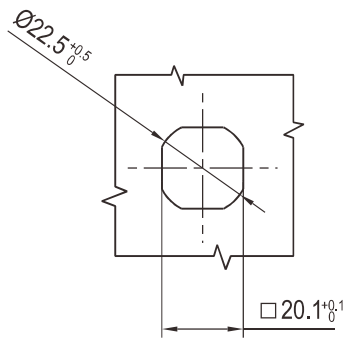
锁具
Lock



带锁芯 Key locking



无锁芯 Non-locking



开孔尺寸
Panel cutout



锌合金锁壳、手柄；镀锌锁舌。

Zinc die cast handle and housing black powder coated or bright chrome; m.s.zinc plated cam

	麻面黑 Black Textured Powder Coated	亮铬 Bright Chrome	不锈钢 316 SUS 316
带锁芯 Key Locking	1311-10-20	1311-10-30	1311-10-316
无锁芯 Non-Locking	1311-00-20	1311-00-30	1311-00-316

可选配件 Accessories ref. to page #

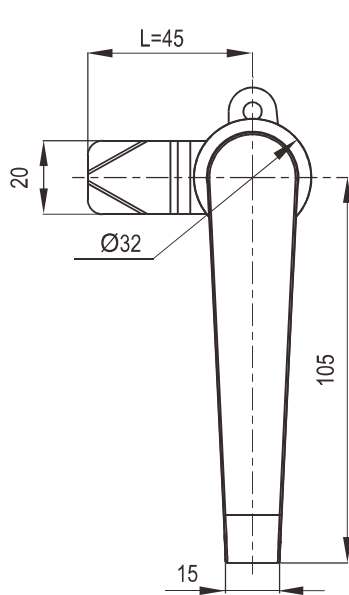
1. 锁舌 见页面 9A-001
CAM ref. to page 9A-001

备注: Remark

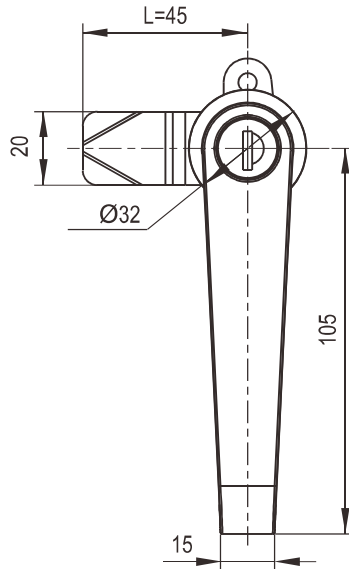
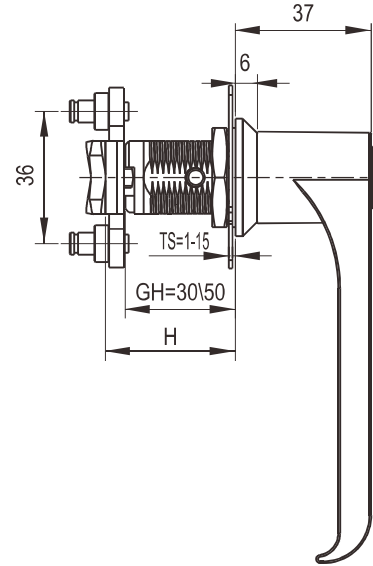
1. 专用钥匙可选 Key different on request.
2. CH751 钥匙可选, CH751 key code on request.
3. 默认YK333钥匙 Keyed YK333

To get product 3D models freely, Please contact info@yeekaco.com

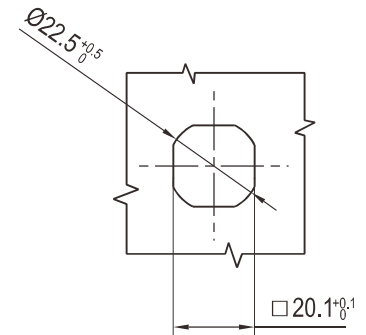
1C-003



无锁芯 Non-Locking



带锁芯 Key Locking



开孔尺寸
Panel cutout

锌合金锁壳、手柄；镀锌锁舌。

Zinc die cast handle and housing black powder coated or bright chrome; m.s.zinc plated cam

可选配件 Accessories ref. to page #

1. 锁舌 见页面 9A-001
CAM ref. to page 9A-001

备注: Remark

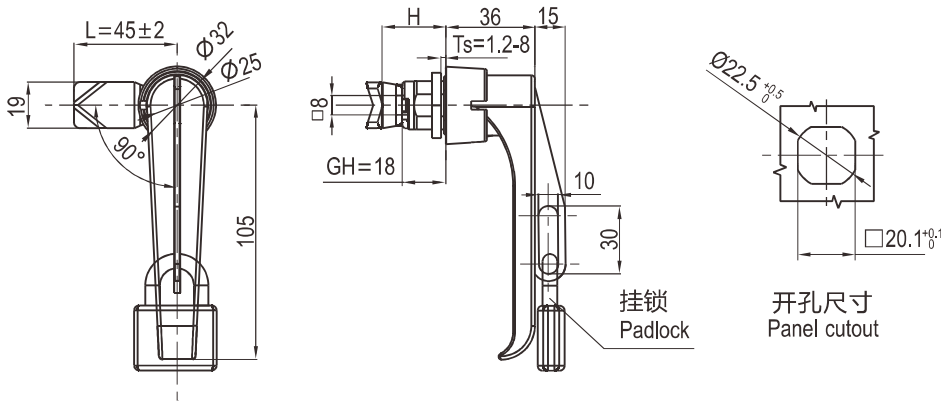
1. 专用钥匙可选 Key different on request.
2. CH751 钥匙可选, CH751 key code on request
3. 默认YK333钥匙 Keyed YK333

锁芯类型 Insert type	GH=30		GH=50		GH=60	
	亮铬 Bright Chrome	麻面黑 Black Textured Powder Coated	亮铬 Bright Chrome	麻面黑 Black Textured Powder Coated	亮铬 Bright Chrome	麻面黑 Black Textured Powder Coated
带锁芯 Key Locking	1311-30110-30	1311-30110-20	1311-50110-30	1311-50110-20	1311-60110-30	1311-60110-20
不带锁芯 Non-locking	1311-30100-30	1311-30100-20	1311-50100-30	1311-50100-20	1311-60100-30	1311-60100-20

拉手锁 Handle Lock

产品系列: 1312、1324

yeeka



锌合金锁壳、手柄；镀锌锁舌；不锈钢挂锁扣。
Zinc die cast handle and housing; m.s.zinc plated cam ; stainless steel padlock device.

麻面黑 Black Textured Powder Coated	亮铬 Bright Chrome
1312-10-20	1312-10-30

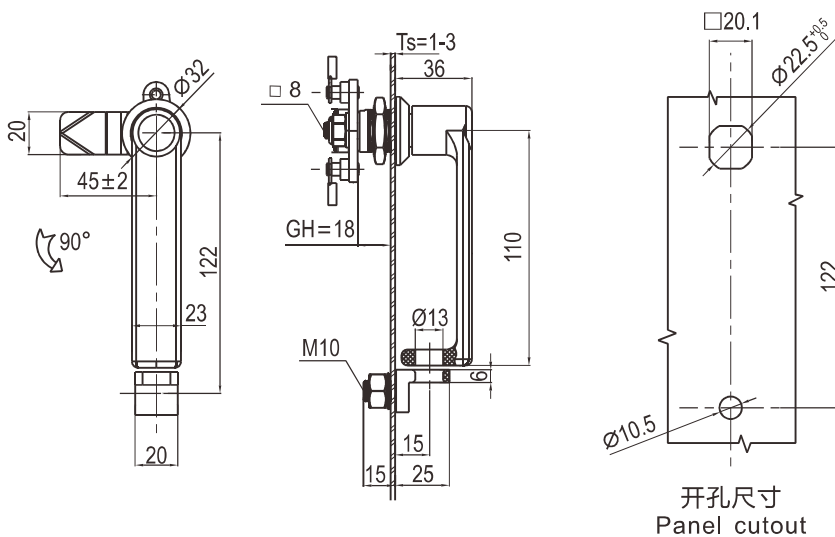
RL IP65



可选配件 : Accessories ref. page#
1. 锁舌 见页面 9A-001
Cam ref. to page 9A-001

目录
Index

锁具 Lock



锌合金锁壳，手柄，镀锌锁舌
Zinc die housing and handle black powder coated or bright chrome, m.s. zinc plated cam

麻面黑 Black Textured Powder Coated	亮铬 Bright Chrome	不锈钢 316 SUS 316
1324-10-20	1324-10-30	1324-10-316

RL IP65



可选配件 : Accessories ref. page#
1. 锁舌 见页面 9A-001
Cam ref. to page 9A-001

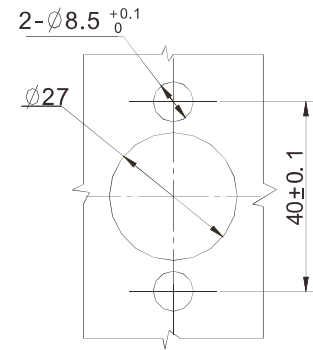
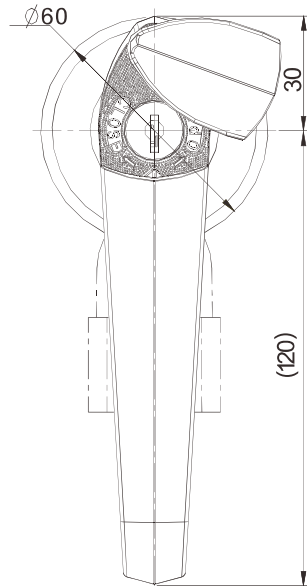
To get product 3D models freely, Please contact info@yeekaco.com

1C-005

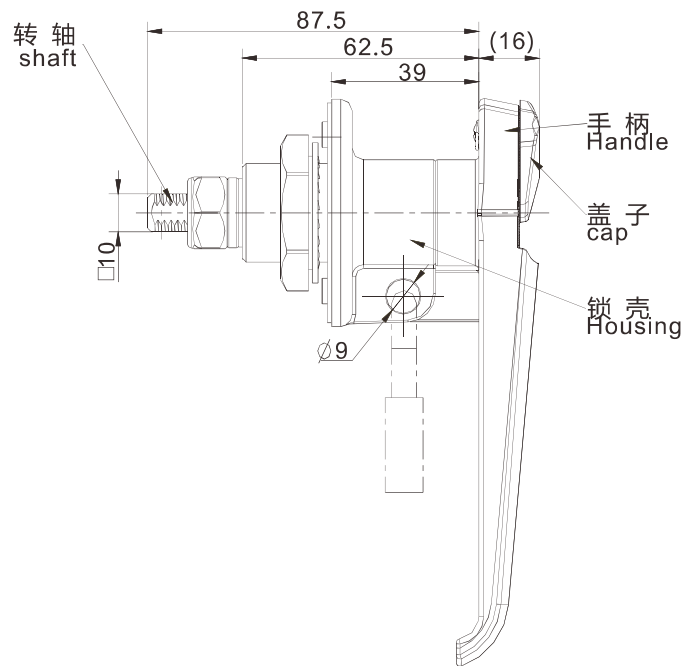
RL IP65

目录
Index

锁具
Locks



开孔尺寸
Panel cutout



锌合金把手、锁壳、锁芯；镀锌锁舌。

Zinc die handle, housing and cylinder; m.s. zinc plated cam and fixing parts.

	亮铬 Bright Chrome
左开 Left	1316-01-30-PL
右开 Right	1316-01-30-PR

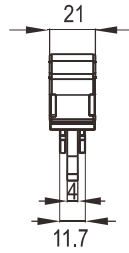
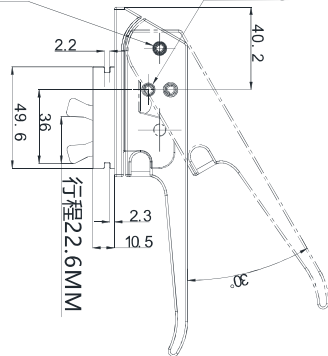
杠杆式手柄锁 Lever Handle Lock

产品系列: 1320、1321

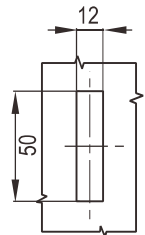
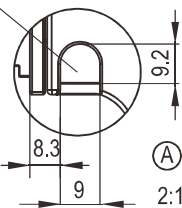
yeeka

手柄旋转中心
The handle rotating center

锁舌驱动中心
The cam driving center



挂锁座
Padlock hole



开孔尺寸
Panel cutout

锌合金锁壳、手柄；表面喷涂处理，镀锌锁舌。
Zinc die housing and handle, black powder coated; m.s. zinc plated cam.

喷塑亚光黑 Black Powder Coated

1320-10



NEW

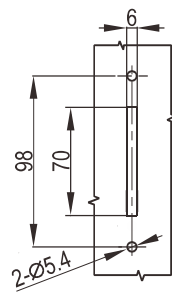
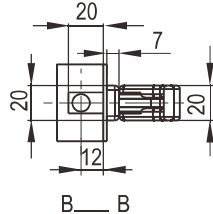
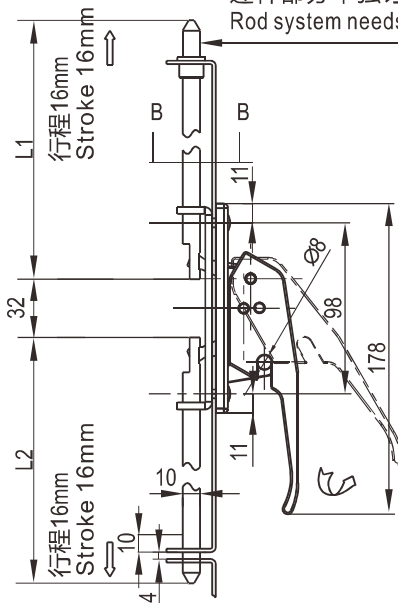


目录
Index

锁具
Lock



连杆部分单独订购
Rod system needs to be ordered separately.



开孔尺寸
Panel cutout

锌合金锁壳、手柄；表面喷塑，镀锌锁舌。
Zinc die housing and handle, black powder coated; m.s. zinc plated cam.

喷塑亚光黑 Black Powder Coated

1321-10

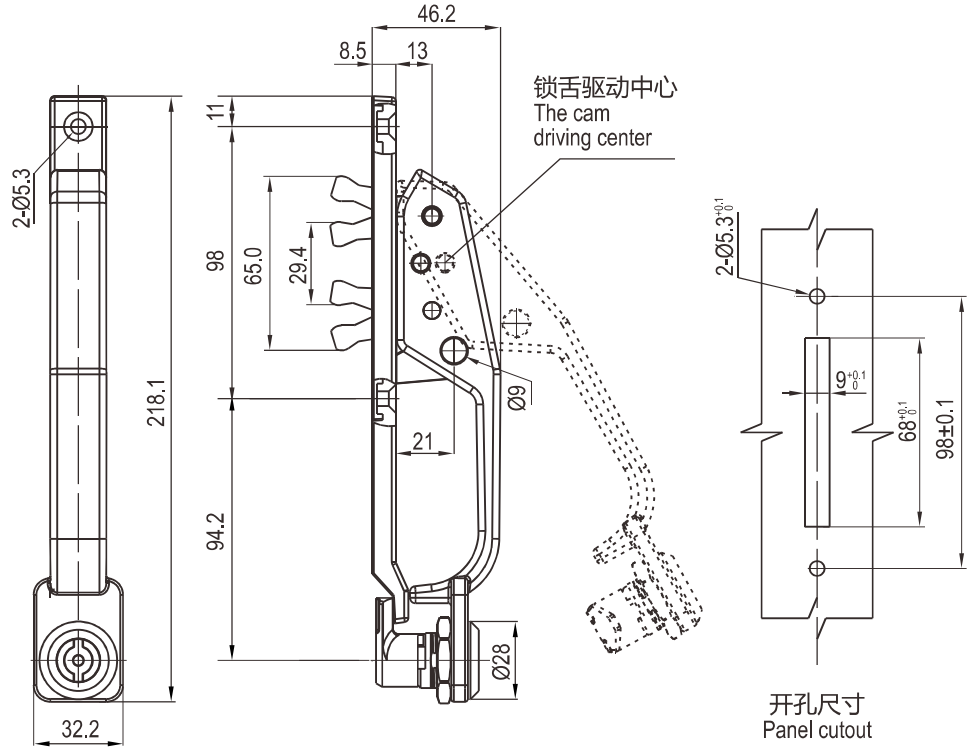
喷塑 RAL7012 Powder coated RAL7012

1321-24



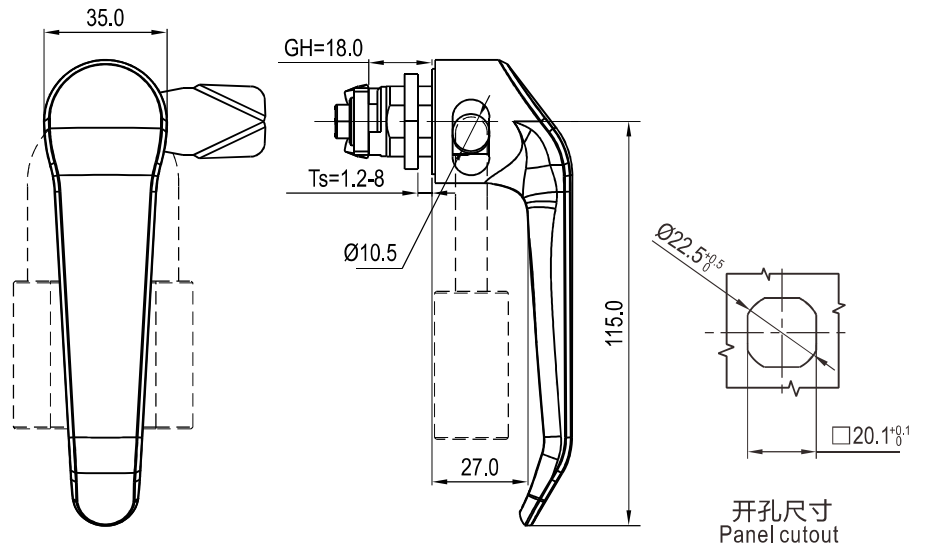
To get product 3D models freely, Please contact info@yeekaco.com

1C-007



锌合金锁壳、手柄；表面喷塑或电泳，镀锌锁舌。
Zinc die housing and handle, black powder coated or E-Coated; m.s. zinc plated cam.

喷塑亚光黑 Black Powder Coated	1322-10
喷塑 RAL7012 Powder coated RAL7012	1322-24



锌合金锁壳、手柄；喷塑亚光黑或电镀亮铬，镀锌锁舌或全不锈钢
Zinc die handle and housing, black powder coated or bright chrome, m.s. zinc plated cam or full stainless steel.

麻面黑 Black Textured Powder Coated	不锈钢 316 SUS 316
1325-00-20	1325-00-316

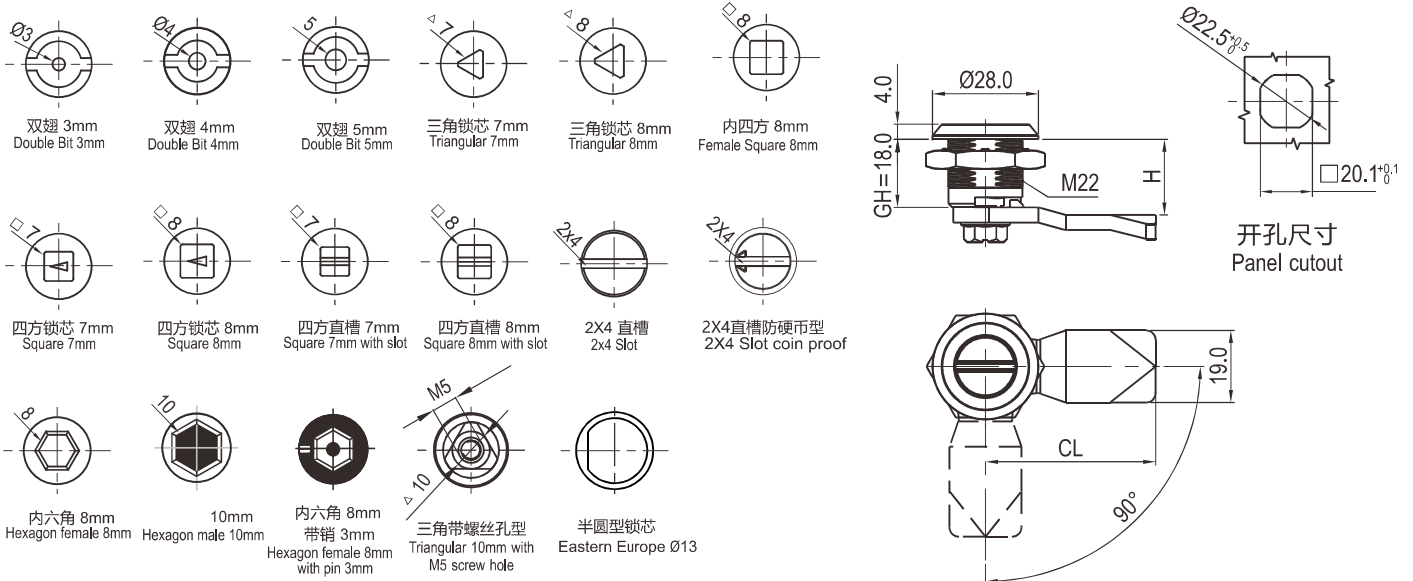
直角转舌锁 Quarter Turn Lock

产品系列: 1401

yeeka

目录
Index

锁具
Lock



锁芯类型 Insert type	锌合金 或 不锈钢 Zinc die casting or Stainless Steel				
	亮铬 Bright Chrome	麻面黑 Black Textured Powder Coated	全塑料PA	塑料壳+锌合金锁芯 PA Housing+Zinc Die Insert	不锈钢 316 SUS 316
双翅3mm Double Bit 3mm	1401-013-30	1401-013-20		1401-013-20P	1401-013-316
双翅4mm Double Bit 4mm	1401-014-30	1401-014-20		1401-014-20P	1401-014-316
双翅5mm Double Bit 5mm	1401-015-30	1401-015-20	1401-015P-20	1401-015-20P	1401-015-316
2x4直槽型2x4 Slot	1401-024-30	1401-024-20	1401-024P-20	1401-024-20P	1401-024-316
2x4直槽防硬币型2x4 Slot coin proof	1401-124-30	1401-124-20		1401-124-20P	
三角7mm Triangular 7mm	1401-037-30	1401-037-20		1401-037-20P	1401-037-316
三角8mm Triangular 8mm	1401-038-30	1401-038-20		1401-038-20P	1401-038-316
四方6mm Square 6mm	1401-046-30	1401-046-20		1401-046-20P	1401-046-316
四方7mm Square 7mm	1401-047-30	1401-047-20		1401-047-20P	1401-047-316
四方8mm Square 8mm	1401-048-30	1401-048-20		1401-048-20P	1401-048-316
四方7mm带槽Square 7mm with slot	1401-147-30	1401-147-20		1401-147-20P	
四方8mm带槽Square 8mm with slot	1401-148-30	1401-148-20		1401-148-20P	
内四方8型Female square 8mm	1401-248-30	1401-248-20		1401-248-20P	
内六角8mm Hexagon female 8mm	1401-168-30	1401-168-20		1401-168-20P	
内六角9mm Hexagon female 9mm	1401-169-30	1401-169-20		1401-169-20P	
内六角10mm Hexagon female 10mm	1401-160-30	1401-160-20		1401-160-20P	
内六角8mm带销3mm Hexagon female 8mm with 3mm pin	1401-268-30	1401-268-20		1401-268-20P	
外六角10型Hexagon male 10mm	1401-360-30	1401-360-20		1401-360-20P	
半圆型锁芯 13 Eastern Europe Ø13	1401-135-30	1401-135-20		1401-135-20P	
三角带螺丝孔型Triangular 10mm with M5 screw hole	1401-105-30	1401-105-20		1401-105-20P	



可选配件 Accessories ref. to page #
1. 锁舌 见页面 9A-001
CAM ref. to page 9A-001
2. 默认YK333钥匙 Keyed YK333

To get product 3D models freely, Please contact info@yeekaco.com

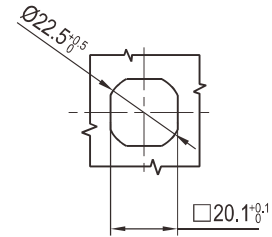
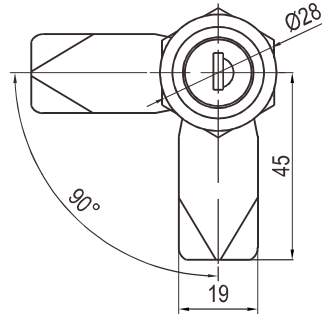
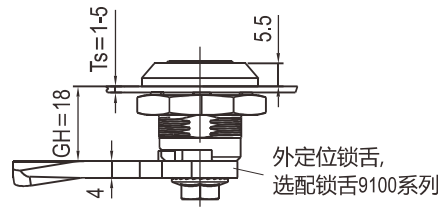
1D-001



可选配件 Accessories ref. to page #
1. 锁舌 见页面 9A-001
CAM ref. to page 9A-001

备注: Remark

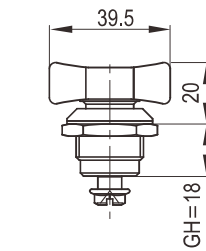
1. 专用钥匙可选 Key different on request.
2. CH751 钥匙可选, CH751 key code on request
3. 默认YK333钥匙 Keyed YK333
4. IP65款可定制(配CH751钥匙)
IP65 version on request(with CH751key)



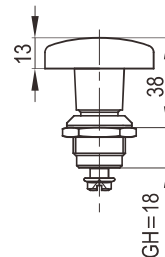
开孔尺寸
Panel cutout

锌合金锁壳、手柄；喷漆亚光黑或电镀亮铬。镀锌锁舌。
Zinc die handle and housing black powder coated or bright chrome; m.s. zinc plated cam.

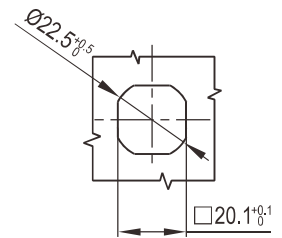
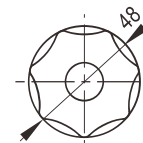
锁芯类型 Insert type	锌合金 Zinc die casting		
	亮铬 Bright Chrome	麻面黑 Black Textured Powder Coated	全塑料PA
圆柱YK333相同钥匙Alike YK333	1401-18-30	1401-18-20	1401-18-PA



双翅旋钮型
Wingknob



星型把手
Star knob



开孔尺寸
Panel Cutout

锌合金锁壳、手柄；喷漆亚光黑或电镀亮铬。镀锌锁舌。
Zinc die handle and housing black powder coated or bright chrome; m.s. zinc plated cam.

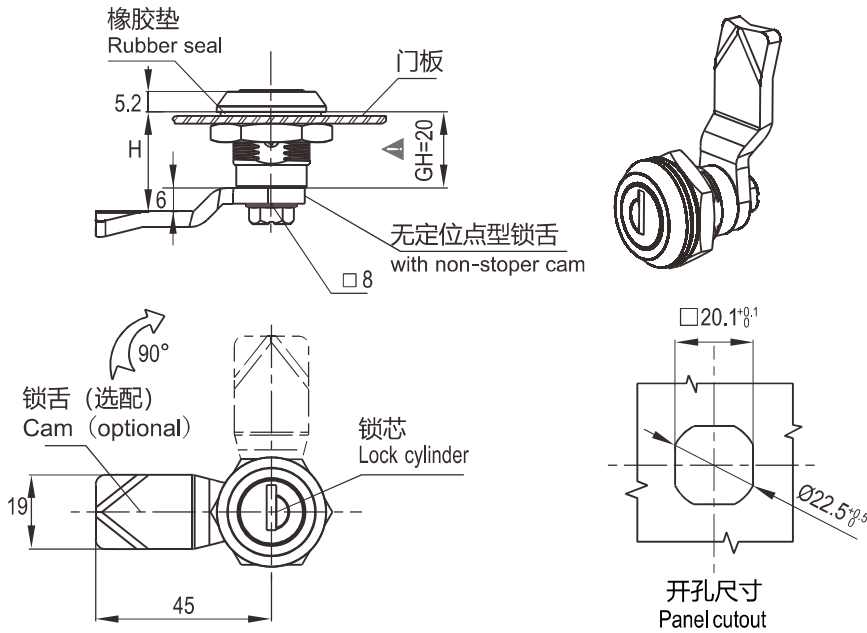
锁芯类型 Insert type	锌合金 Zinc die casting	
	亮铬 Bright Chrome	麻面黑 Black Textured Powder Coated
双翅旋钮型Wingknob	1401-170-30	1401-170-20
星型把手Star knob	1401-180-30	1401-180-20

直角转舌锁 Quarter Turn Lock

产品系列: 1401

yeeka

RL IP54



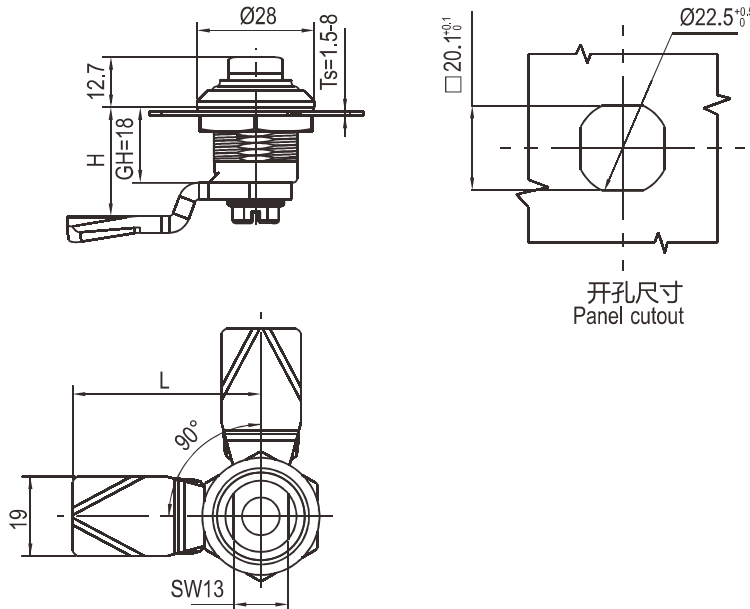
锌合金锁壳; 喷塑亚光黑或电镀亮铬。镀锌锁舌。
Zinc die housing, black powder coated or bright chrome; m.s. zinc plated cam.

	钥匙双点插拔 Key removable in both positions	钥匙单点插拔 Key removable in closed positions
麻面黑 Black Textured Powder Coated	1401-20-20	1401-20-20B
亮铬 Bright Chrome	1401-20-30	1401-20-30B

可选配件 Accessories ref. to page #
1. 锁舌 见页面 9A-001
CAM ref. to page 9A-001

备注: Remark
1. 专用钥匙可选 Key different on request.
2. CH751 钥匙可选, CH751 key code on request
3. 默认YK333钥匙 Keyed Yk333
4. IP65款可定制(配CH751钥匙)
IP65 version on request(with CH751key)

STAINLESS SERIES RL IP65



316L不锈钢锁壳、锁芯、锁舌。
SUS316L housing, insert, sus304 cam

不锈钢 316L SUS316L	1401-30-316L
------------------	--------------

可选配件 Accessories ref. to page #
1. 锁舌 见页面 9A-001
CAM ref. to page 9A-001

目录
Index

锁具
Lock

To get product 3D models freely, Please contact info@yeekaco.com

1D-003

RL IP65



可选配件 Accessories ref. to page #

1. 锁舌 见页面 9A-001
CAM ref. to page 9A-001

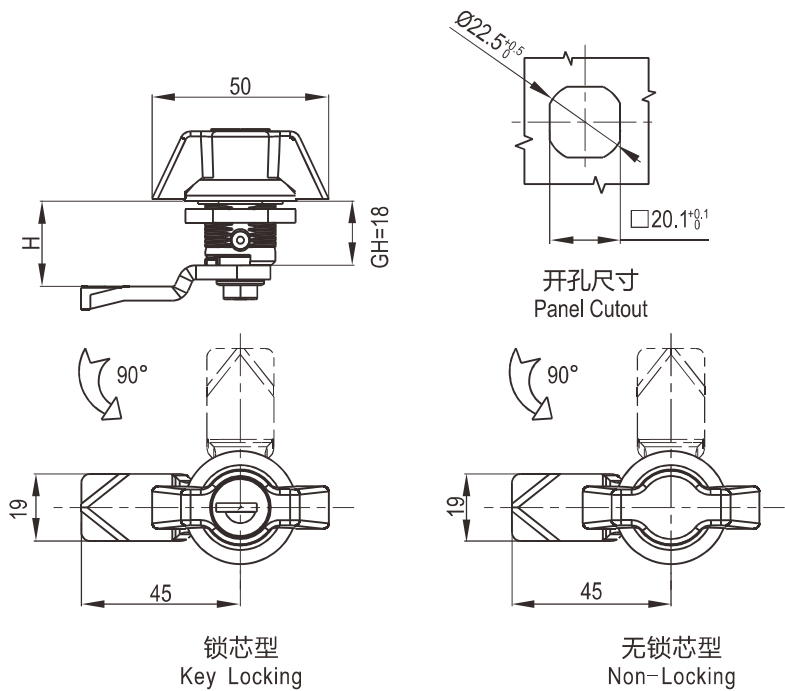
备注: Remark

1. 专用钥匙可选 Key different on request.
2. CH751 钥匙可选, CH751 key code on request.
3. 默认YK3333钥匙 Keyed YK3333.



备注: Remark

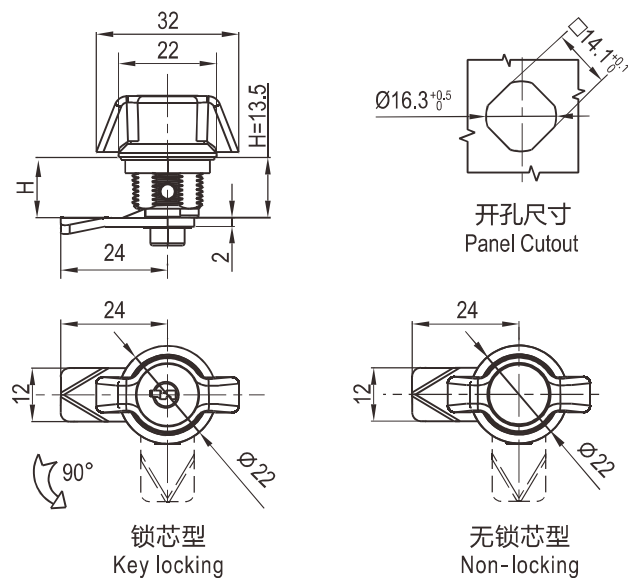
钥匙编号: 2233 Keyed 2233



锌合金锁壳、手柄; 喷塑亚光黑或电镀亮铬。镀锌锁舌。

Zinc die handle and housing black powder coated or bright chrome; m.s. zinc plated cam.

	亮铬 Bright Chrome	麻面黑 Black Textured Powder Coated	不锈钢 316 SUS 316
带锁芯 Key locking	1402-110-30	1402-110-20	1402-110-316
不带锁芯 Non-locking	1402-100-30	1402-100-20	1402-100-316



锌合金锁壳、手柄; 镀锌锁舌。

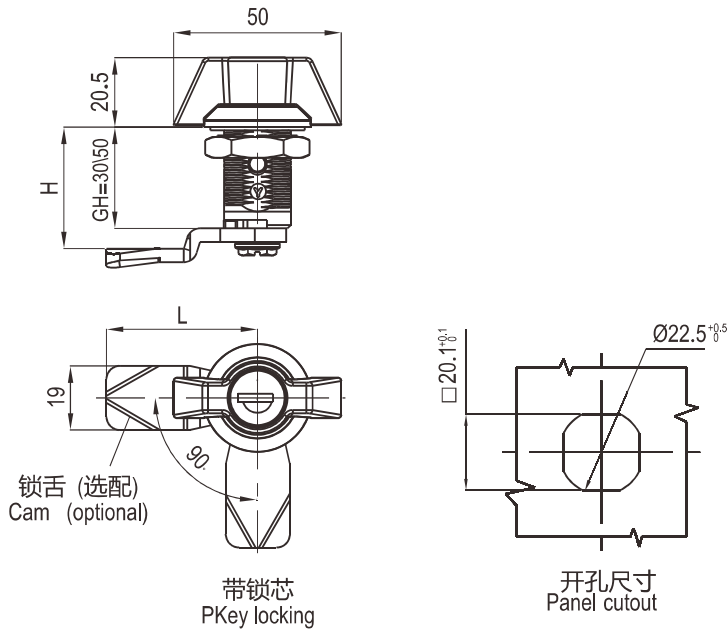
Zinc die handle and housing black powder coated or bright chrome; m.s. zinc plated cam.

	锁舌 H	麻面黑 Black Textured Powder Coated	亮铬 Bright Chrome
不带锁芯 Non-locking	H=7.5	1402-300-20.107.5	1402-300-30.107.5
	H=13.5	1402-300-20.1013.5	1402-300-30.1013.5
	H=19.5	1402-300-20.1019.5	1402-300-30.1019.5
带锁芯 Key locking	H=7.5	1402-310-20.107.5	1402-310-30.107.5
	H=13.5	1402-310-20.1013.5	1402-310-30.1013.5
	H=19.5	1402-310-20.1019.5	1402-310-30.1019.5

直角转舌锁 Quarter Turn Lock

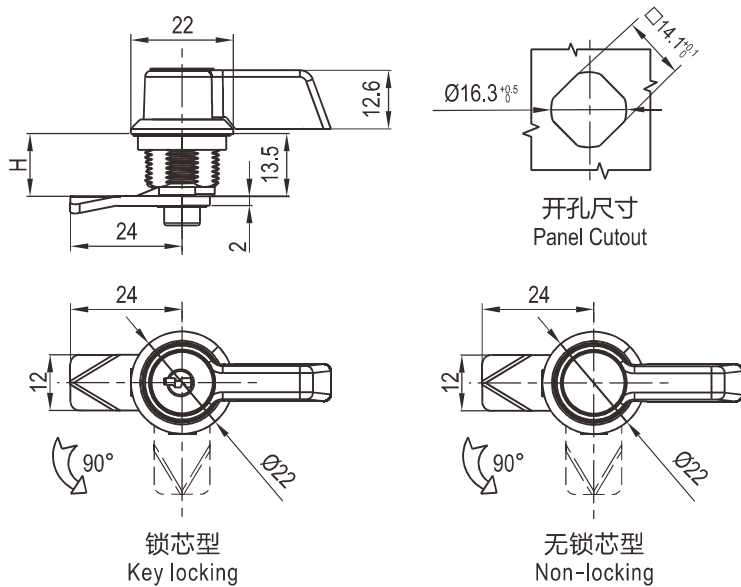
产品系列: 1402

yeeka



锌合金锁壳、手柄；喷塑亚光黑或电镀亮铬。镀锌锁舌。
Zinc die handle and housing black powder coated or bright chrome; zinc plated cam.

锁芯类型 Insert type	GH=30		GH=50	
	亮铬 Bright Chrome	麻面黑 Black Textured Powder Coated	亮铬 Bright Chrome	麻面黑 Black Textured Powder Coated
带锁芯 Key Locking	1402-30110-30	1402-30110-20	1402-50110-30	1402-50110-20
不带锁芯 Non-locking	1402-30100-30	1402-30100-20	1402-50100-30	1402-50100-20



锌合金锁壳、手柄；镀锌锁舌。
Zinc die handle and housing black powder coated or bright chrome; m.s. zinc plated cam.

	锁舌 H	麻面黑 Black Textured Powder Coated	亮铬 Bright Chrome
	不带锁芯 Non-locking	H=7.5	1402-400-20.107.5
H=13.5		1402-400-20.1013.5	1402-400-30.1013.5
H=19.5		1402-400-20.1019.5	1402-400-30.1019.5
带锁芯 Key locking	H=7.5	1402-410-20.107.5	1402-410-30.107.5
	H=13.5	1402-410-20.1013.5	1402-410-30.1013.5
	H=19.5	1402-410-20.1019.5	1402-410-30.1019.5

RL IP65

NEW



可选配件 Accessories ref. to page #
1. 锁舌 见页面 9A-001
CAM ref. to page 9A-001



备注: Remark
钥匙编号: 2233 Keyed 2233

目录
Index

锁具
Lock

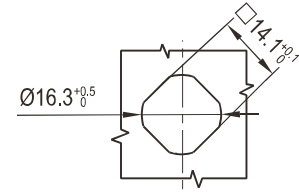
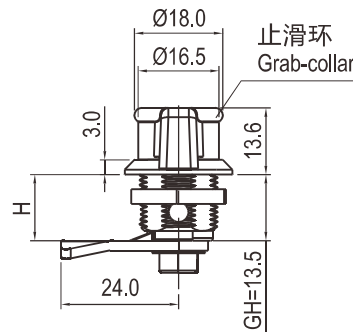
To get product 3D models freely, Please contact info@yeekaco.com

1D-005

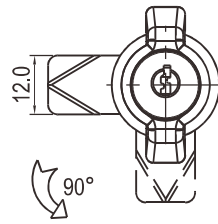
RL IP65



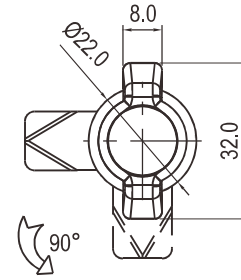
备注: Remark
钥匙编号: 2233
Key code: 2233



开孔尺寸
Panel Cutout



带锁芯
Key locking



不带锁芯
Non-locking

锌合金锁壳、手柄；镀锌锁舌。

Zinc die handle and housing black powder coated or bright chrome; m.s. zinc plated cam.

	锁舌 H	麻面黑 Black Textured Powder Coated	亮铬 Bright Chrome
不带锁芯 Non-locking	H=7.5	1402-500-20.107.5	1402-500-30.107.5
	H=13.5	1402-500-20.1013.5	1402-500-30.1013.5
	H=19.5	1402-500-20.1019.5	1402-500-30.1019.5
带锁芯 Key locking	H=7.5	1402-510-20.107.5	1402-510-30.107.5
	H=13.5	1402-510-20.1013.5	1402-510-30.1013.5
	H=19.5	1402-510-20.1019.5	1402-510-30.1019.5

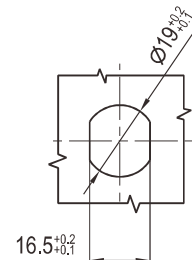
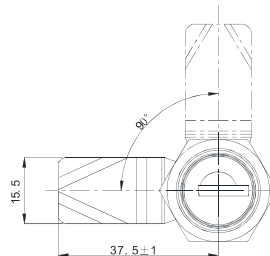
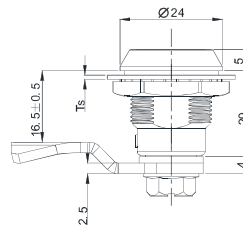
RL IP40



可选配件 Accessories ref. to page #
1. 锁舌 见页面 9A-001
CAM ref. to page 9A-001

备注: Remark

1. 专用钥匙可选 Key different on request.
2. CH751 钥匙可选 CH751 key code on request
3. 默认YK333钥匙 Keyed YK333
4. 默认配锁舌3051403030106 (中心距37.5mm, 打弯高度5mm); The default Cam 3051403030106 (L=37.5mm, BH=5mm)



开孔尺寸
Panel Cutout

锌合金，喷塑亚光黑或电镀亮铬，镀锌锁舌。

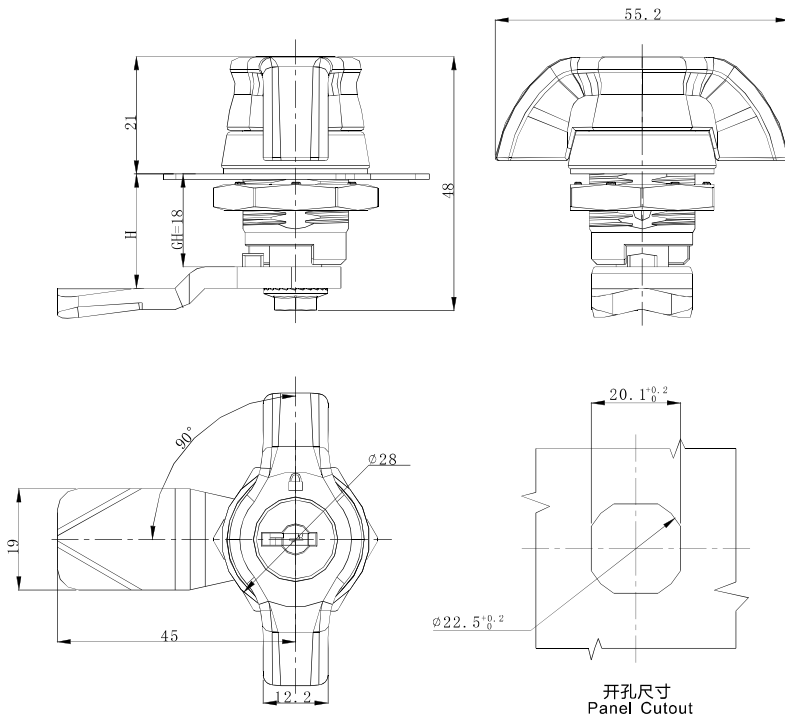
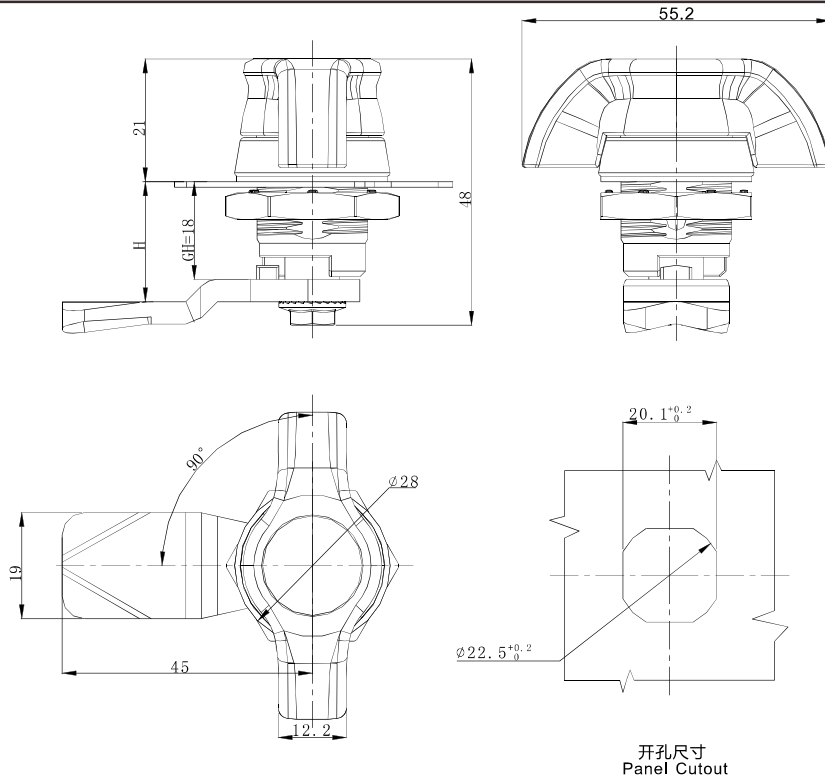
Zinc die, black powder coated or bright chrome; m.s. zinc plated cam.

麻面黑 Black Textured Powder Coated	1403-20-20
亮铬 Bright Chrome	1403-20-30

直角转舌锁 Quarter Turn Lock

产品系列: 1404

yeeka



锌合金锁壳、手柄；喷塑亚光黑。镀锌锁舌。
Zinc die handle and housing black powder coated ; m.s. zinc plated cam.

锁芯款式 Insert Type	喷塑亚光黑 Black Smooth Powder Coated	麻面黑 Black Textured Powder Coated
不带锁芯型 Non-locking	1404-100-10	1404-100-20
半圆柱 YK333 相同钥匙 Alike YK333 Profile Round Cylinder	1404-110-10	1404-110-20
带 CH751 钥匙锁带防尘盖型 Ch751 key locking,with shutter	1404-120-10	1404-120-20
带 CH751 钥匙锁不带防尘盖型 Ch751 key locking,without shutter	1404-130-10	1404-130-20

IP65 NEW



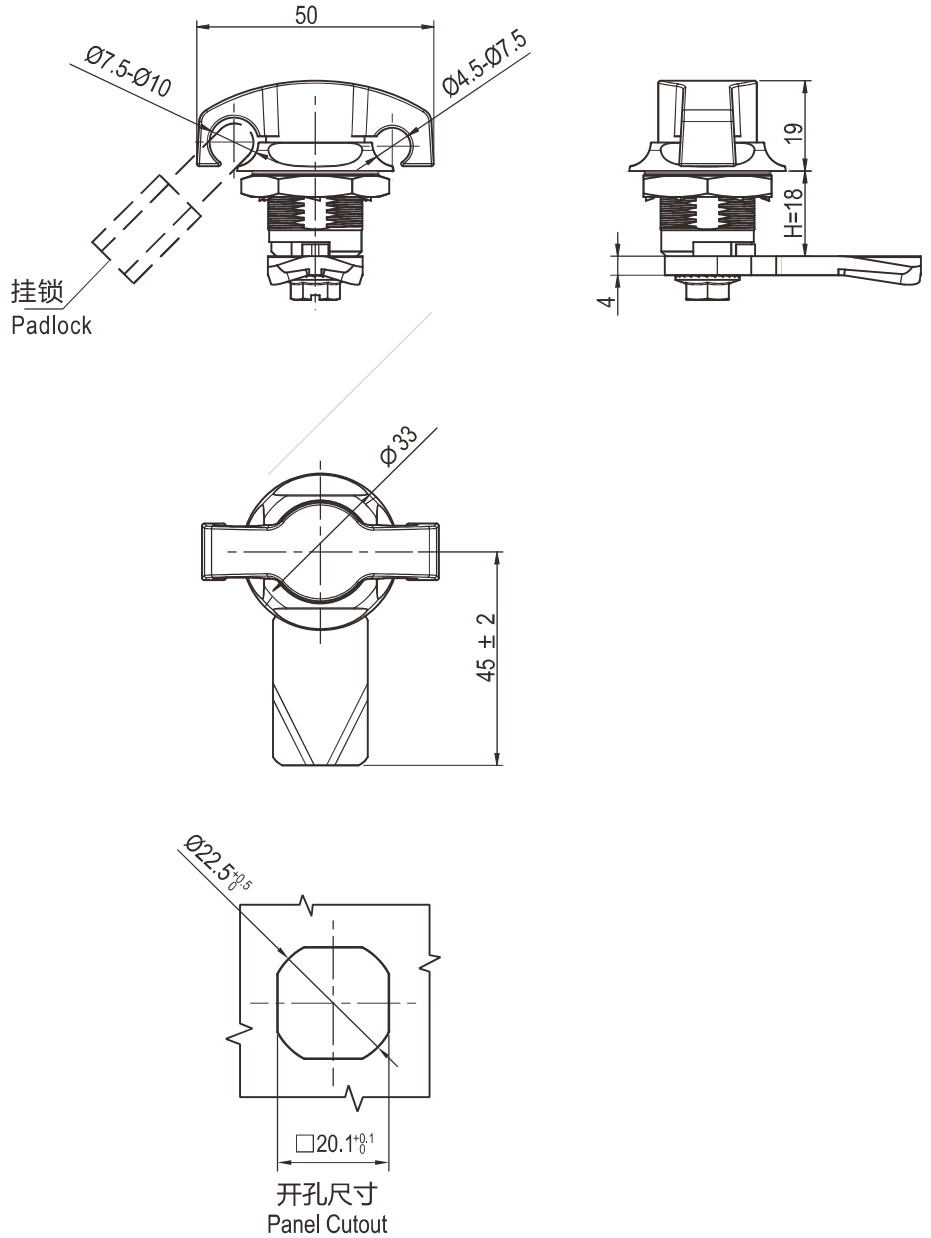
备注: Remark
默认CH751 钥匙 Keyed CH751

目录
Index

锁具
Lock

To get product 3D models freely, Please contact info@yeekaco.com

1D-007



锌合金锁壳、手柄；喷漆亚光黑或电镀亮铬，镀锌锁舌或全不锈钢
Zinc die handle and housing, black powder coated or bright chrome, m.s.
zinc plated cam or full stainless steel.

麻面黑 Black textured powder coated	1406-110-20
亮铬 Bright chrome	1406-110-30
全不锈钢 316 Stainless steel 316	1406-110-316

可选配件 : Accessories ref. page#

1. 锁舌 见页面 9A-001

Cam ref. to page 9A-001

直角转舌锁 Quarter Turn Lock

产品系列: 1407

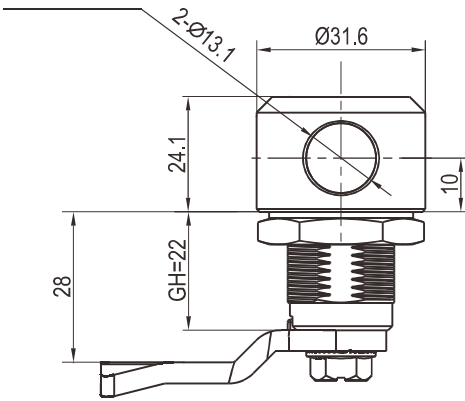
yeeka



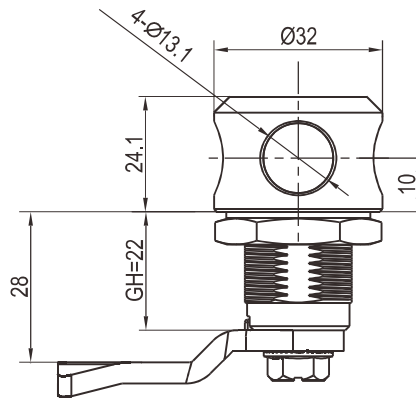
目录
Index

锁具
Lock

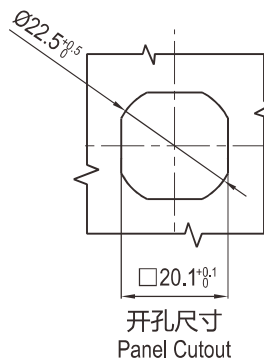
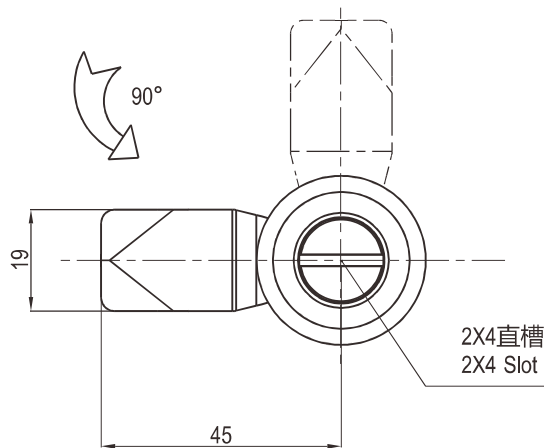
挂锁孔
Padlock hole



锁壳带2个挂锁孔
Housing with 2 padlock holes



锁壳带4个挂锁孔
Housing with 4 padlock holes



开孔尺寸
Panel Cutout



锌合金锁壳、锁芯；喷塑亚光黑或电镀亮铬，镀锌锁舌。
Zinc die housing and cylinder; black textured powder coated or bright chrome, m.s. zinc plated cam.

可选配件 : Accessories ref. page#

1. 锁舌 见页面 9A-001

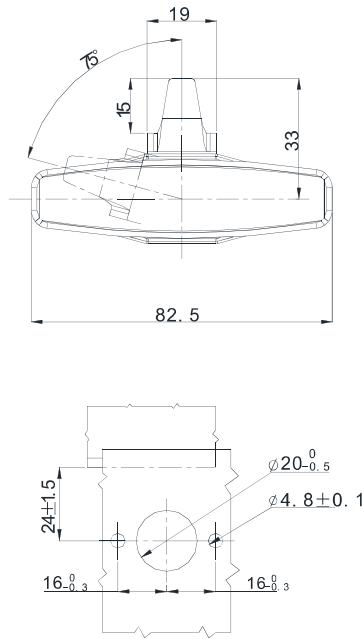
Cam ref. to page 9A-001

锁芯类型 Insert type	锁壳带2个挂锁孔 Housing with 2 padlock holes			锁壳带4个挂锁孔 Housing with 4 padlock holes		
	GH=18 锌合金, 麻面黑 GH=18 Zinc die, black textured powder coated	GH=22, 锌合金, 麻面黑 GH=22, Zinc die, black textured powder coated	GH=22,全不锈钢 GH=22,Full stainless steel	GH=18 锌合金, 麻面黑 GH=18 Zinc die, black textured powder coated	GH=22, 锌合金, 麻面黑 GH=22, Zinc die, black textured powder coated	GH=22,全不锈钢 GH=22,Full stainless steel
双翅3mm Double Bit 3mm	1407-180132H-20	1407-220132H-20	1407-220132H-304	1407-180134H-20	1407-220134H-20	1407-220134H-304
双翅4mm Double Bit 4mm	1407-180142H-20	1407-220142H-20	1407-220142H-304	1407-180144H-20	1407-220144H-20	1407-220144H-304
双翅5mm Double Bit 5mm	1407-180152H-20	1407-220152H-20	1407-220152H-304	1407-180154H-20	1407-220154H-20	1407-220154H-304
2x4直槽型 2x4 Slot	1407-180242H-20	1407-220242H-20	1407-220242H-304	1407-180244H-20	1407-220244H-20	1407-220244H-304
三角7mm Triangular 7mm	1407-180372H-20	1407-220372H-20	1407-220372H-304	1407-180374H-20	1407-220374H-20	1407-220374H-304
三角8mm Triangular 8mm	1407-180382H-20	1407-220382H-20	1407-220382H-304	1407-180384H-20	1407-220384H-20	1407-220384H-304
四方7mm Square 7mm	1407-180472H-20	1407-220472H-20	1407-220472H-304	1407-180474H-20	1407-220474H-20	1407-220474H-304
四方8mm Square 8mm	1407-180482H-20	1407-220482H-20	1407-220482H-304	1407-180484H-20	1407-220484H-20	1407-220484H-304

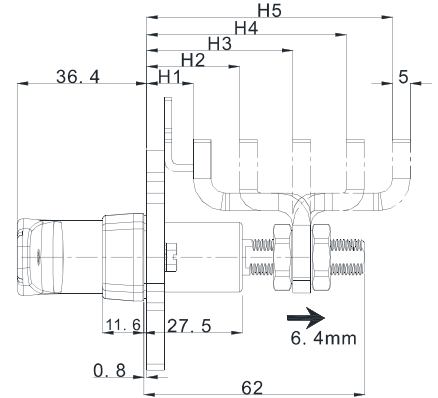
To get product 3D models freely, Please contact info@yeekaco.com

1D-009

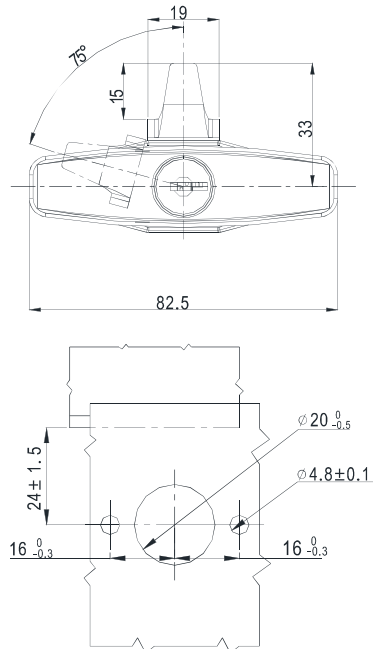
NEW



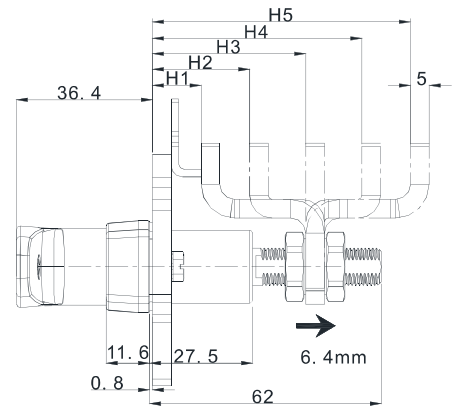
开孔尺寸
Panel cutout



NEW



开孔尺寸
Panel cutout



备注: Remark

1. 开锁后手柄逆时针旋转约195°
After unlocking to rotate the handle counterclockwise about 195°
2. 转轴伸出约6.4mm, 转轴会转动75°
The shaft extends about 6.4mm and drives the cam to rotate by 75°
3. 锁芯根据订单要求选配, 锁舌选配
The cylinder is on request, cam need to be order seperately.

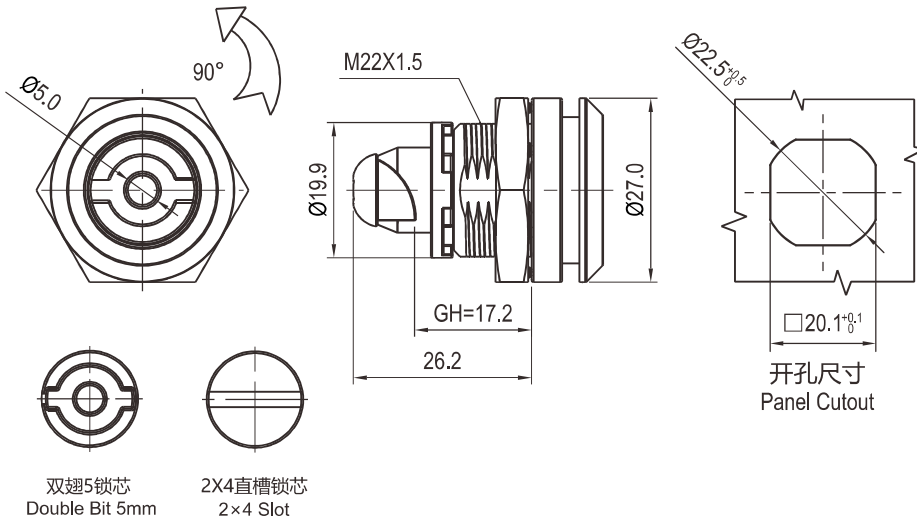
锁片款式 Camstyle	间距 Grip Range		锁头类型 Head Style	
	最小 Min	最大 Max	T 型手柄不带锁芯型 T handle ,non-locking	T 型手柄带锁芯型 T handle ,key locking
正向锁片 reversed cam	7.9	23.6	1409-100-1520	1409-110-1520
	21.8	37.3	1409-100-2520	1409-110-2520
直立锁片 straight cam	35.3	51	1409-100-3520	1409-110-3520
反向锁片 offset cam	49	64.8	1409-100-2520	1409-110-2520
	62.7	76.2	1409-100-1520	1409-110-1520

直角转舌锁 Quarter Turn Lock

产品系列: 1410、1428

yeeka

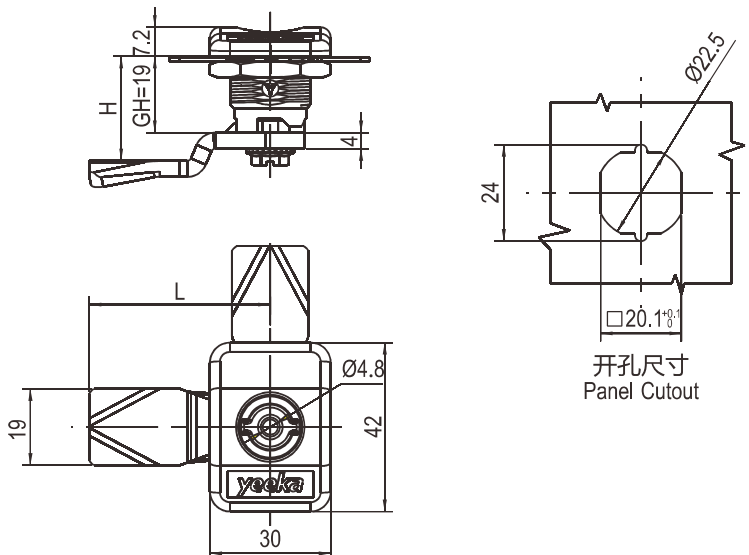
RL IP65



锌合金, 电泳黑
Zinc die, black E-coated.

	双翅5锁芯 Double Bit 5mm	2X4直槽锁芯 2x4 Slot
电泳黑 Black E-coated	1410-015-50	1410-024-50

RL IP65



锌合金锁芯、锁壳; 喷塑亚光黑或电镀亮铬; 镀锌钢锁舌
Zinc die insert and housing; black powder coated or bright chrome; M.S. zinc plated cam.

	锌合金 Zinc Alloy	塑料壳+锌合金锁芯 PA Housing+Zinc Die Insert
喷塑亚光黑 Black Powder Coated	1428-015-10	1428-015-20P

可选配件 Accessories ref. to page #
1. 锁舌 见页面 9A-001
CAM ref. to page 9A-001

目录
Index

锁具 Lock

To get product 3D models freely, Please contact info@yeekaco.com

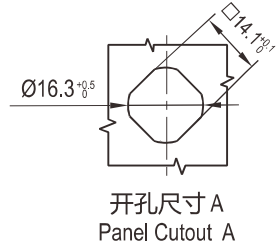
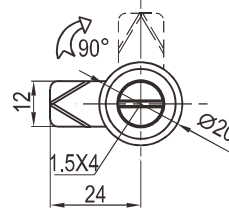
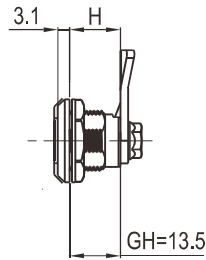
1D-011

RL IP65



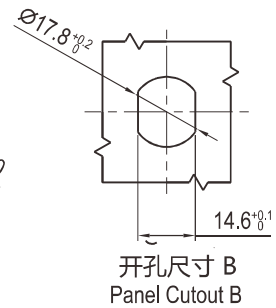
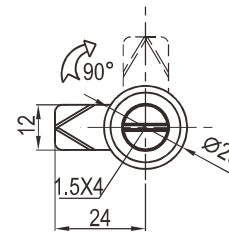
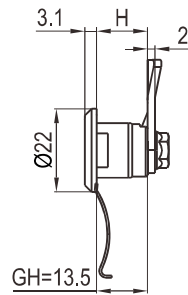
螺母安装

With Nut Mounting



弹簧固定片

Spring Fixing Plate



手柄型
Handle type



三角锁芯 6.5mm
Triangular 6.5mm



四方锁芯 6mm
Square 6mm



直槽 1.5
Slot 1.5

锌合金, 镀锌锁舌

Zinc die body, black textured powder coated or bright chrome, m.s. zinc plated cam.

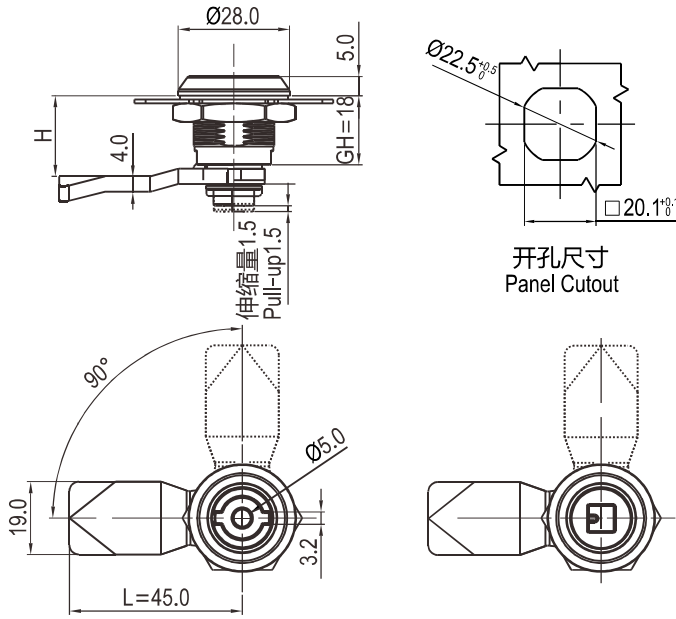
如需获得产品3D模型图, 请联系 info@yeekaco.com

锁芯类型 Cylinder Style	锁舌款式H Cam Style H	螺母安装 (开孔 A 型) With Nut Mounting			弹簧固定片 (开孔 B 型) Spring Fixing Plate		
		锌合金 Zinc die		不锈钢 316 SUS 316	锌合金 Zinc die		不锈钢 316 SUS 316
		表面处理 Finish			表面处理 Finish		
亮铬 Bright Chrome	麻面黑 Black Textured Powder Coated	亮铬 Bright Chrome	麻面黑 Black Textured Powder Coated	亮铬 Bright Chrome	麻面黑 Black Textured Powder Coated	亮铬 Bright Chrome	麻面黑 Black Textured Powder Coated
四方 6 Square 6mm	H=7.5	1412-046-130.107.5	1412-046-120.107.5	1412-046-1316.107.5	1412-046-230.107.5	1412-046-220.107.5	1412-046-2316.107.5
	H=13.5	1412-046-130.1013.5	1412-046-120.1013.5	1412-046-1316.1013.5	1412-046-230.1013.5	1412-046-220.1013.5	1412-046-2316.1013.5
	H=19.5	1412-046-130.1019.5	1412-046-120.1019.5	1412-046-1316.1019.5	1412-046-230.1019.5	1412-046-220.1019.5	1412-046-2316.1019.5
三角 6.5 Triangular 6.5mm	H=7.5	1412-036-130.107.5	1412-036-120.107.5	1412-036-1316.107.5	1412-036-230.107.5	1412-036-220.107.5	1412-036-2316.107.5
	H=13.5	1412-036-130.1013.5	1412-036-120.1013.5	1412-036-1316.1013.5	1412-036-230.1013.5	1412-036-220.1013.5	1412-036-2316.1013.5
	H=19.5	1412-036-130.1019.5	1412-036-120.1019.5	1412-036-1316.1019.5	1412-036-230.1019.5	1412-036-220.1019.5	1412-036-2316.1019.5
直槽 1.5 Slot 1.5mm	H=7.5	1412-024-130.107.5	1412-024-120.107.5	1412-024-1316.107.5	1412-024-230.107.5	1412-024-220.107.5	1412-024-2316.107.5
	H=13.5	1412-024-130.1013.5	1412-024-120.1013.5	1412-024-1316.1013.5	1412-024-230.1013.5	1412-024-220.1013.5	1412-024-2316.1013.5
	H=19.5	1412-024-130.1019.5	1412-024-120.1019.5	1412-024-1316.1019.5	1412-024-230.1019.5	1412-024-220.1019.5	1412-024-2316.1019.5
手柄型 Handle type	H=7.5	1412-110-130.107.5	1412-110-120.107.5	1412-110-1316.107.5	1412-110-230.107.5	1412-110-220.107.5	1412-110-2316.107.5
	H=13.5	1412-110-130.1013.5	1412-110-120.1013.5	1412-110-1316.1013.5	1412-110-230.1013.5	1412-110-220.1013.5	1412-110-2316.1013.5
	H=19.5	1412-110-130.1019.5	1412-110-120.1019.5	1412-110-1316.1019.5	1412-110-230.1019.5	1412-110-220.1019.5	1412-110-2316.1019.5

直角转舌锁 Quarter Turn Lock

产品系列: 1413

yeeka



锌合金, 镀锌锁舌
Zinc die body, black textured powder coated or bright chrome, m.s. zinc plated cam.

双翅锁芯5

四方锁芯7

锁芯类型 Cylinder Style	锌合金 Zinc die		不锈钢 316 SUS 316
	喷塑亚光黑 Black Powder Coated	亮铬 Bright Chrome	
双翅锁芯 5 Double Bit 5mm	1413-015-20	1413-015-30	
四方锁芯 7 Square 7mm	1413-047-20	1413-047-30	
2X4 直槽型 2X4 Slot			1413-024-316

RL IP65



可选配件: Accessories ref. page#

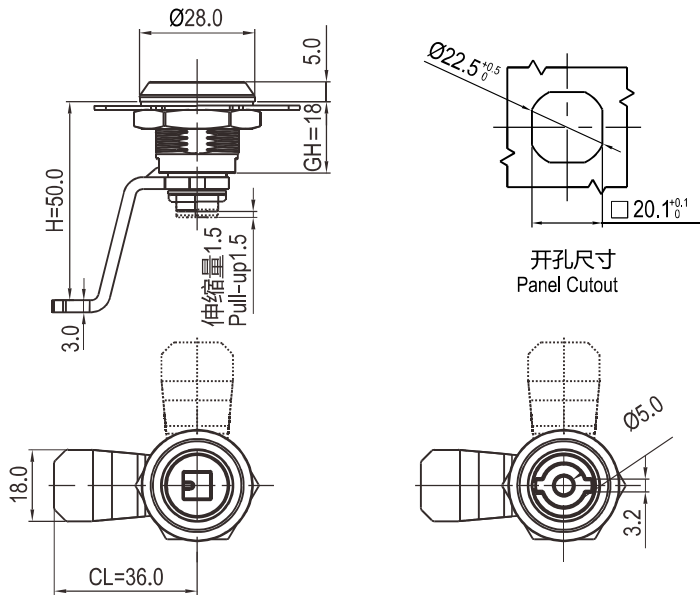
1. 锁舌见页面 9A-001

Cam ref. to page 9A-001

备注: 内装弹簧, O型圈, 按压时

伸缩量 1.5mm

innerspring, O-ring, Pull-up 1.5mm



锌合金, 镀锌锁舌
Zinc die body, powder coated, m.s. zinc plated cam.

四方锁芯7
Square 7mm

双翅锁芯5
Double Bit 5mm

锁芯类型 Cylinder Style	喷塑煤灰色 Powder Coated RAL7016	
	S01:CL=30,H=16	S02:CL=36,H=50
双翅锁芯 5 Double Bit 5mm	1413-015-21.S01	1413-015-21.S02
四方锁芯 7 Square 7mm	1413-047-21.S01	1413-047-21.S02

备注: 内装弹簧, O型圈, 按压时

伸缩量 1.5mm

innerspring, O-ring, Pull-up 1.5mm



目录
Index

锁具
Lock

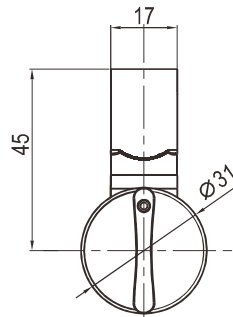
To get product 3D models freely, Please contact info@yeekaco.com

1D-013

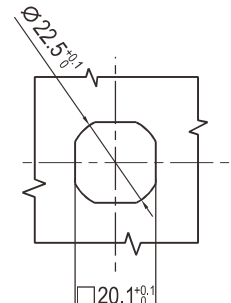
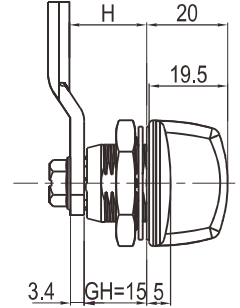
RL IP65



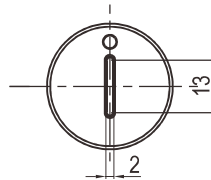
可选配件 Accessories ref. to page #
1. 锁舌 见页面 9A-003
CAM ref. to page 9A-003



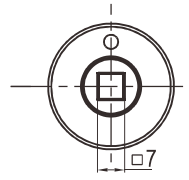
把手型
Wingknob



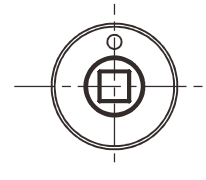
开孔尺寸
Panel cutout



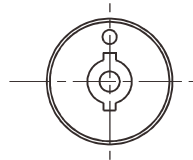
一字槽2X13mm型
Slot 2X13mm



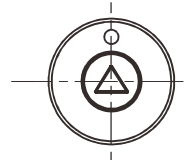
四方7mm型
Square 7mm



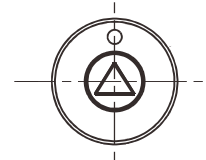
四方8mm型
Square 8mm



双翅5mm型
Double bit 5mm



三角7mm型
Triangular 7mm



三角8mm型
Triangular 8mm

锌合金锁体，镀锌钢锁舌。

Zinc die black textured powder coated or bright chrome, m.s. zinc plated cam.

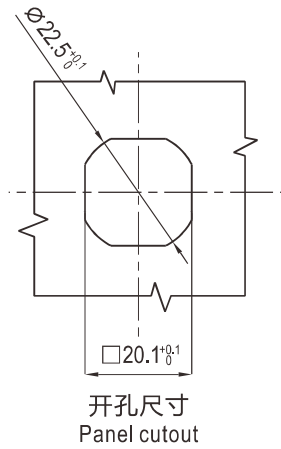
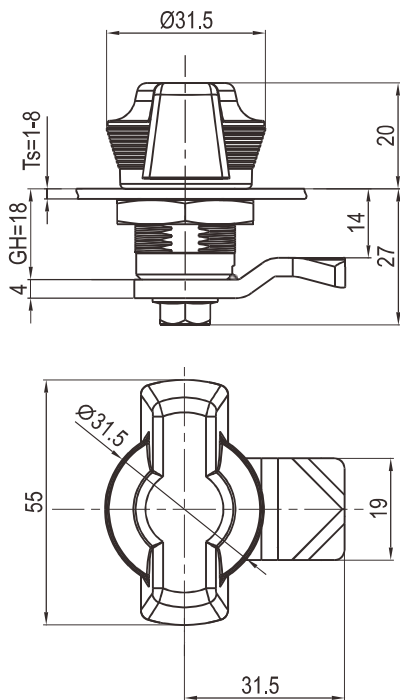
锁芯款式 Insert Type	麻面黑 Black Textured Powder coated	喷沙镀铬 Textured chrome plated
低把手Short wingknob	1415-010-20	1415-010-79
高把手Tall wingknob	1415-110-20	1415-110-79
一字槽2X4 slot	1415-024-20	1415-024-79
双翅5mm Double bit 5mm	1415-015-20	1415-015-79
7mm三角Triangular 7mm	1415-037-20	1415-037-79
8mm三角Triangular 8mm	1415-038-20	1415-038-79
7mm四方Square 7mm	1415-047-20	1415-047-79
8mm四方Square 8mm	1415-048-20	1415-048-79

直角转舌锁 Quarter Turn Lock

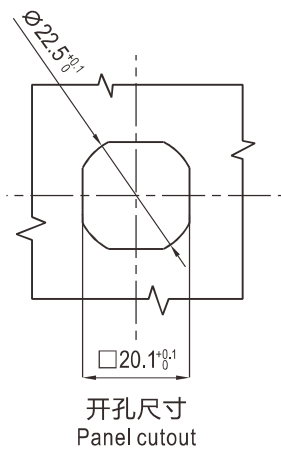
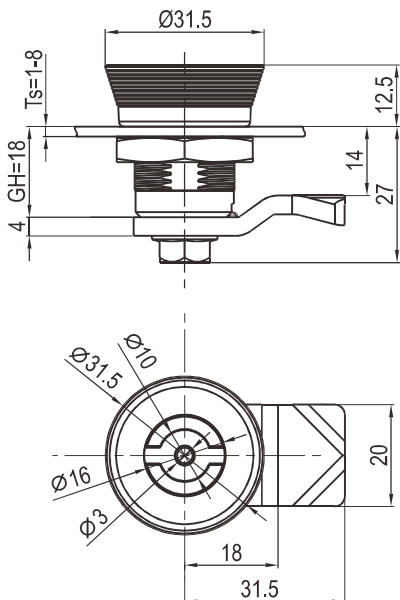
产品系列: 1416

yeeka

把手型 Handle knob



翼型锁芯 Double bit 3mm



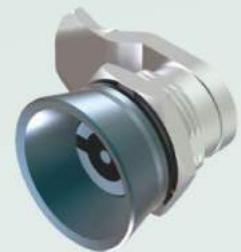
锌合金, 镀锌锁舌
Zinc die powder coated ,m.s. zinc plated cam

	蓝绿色 Bule green	麻面黑 Black Textured Powder Coated
翼型锁芯 Double bit 3mm	1416-110-60	1416-110-20
把手型 Handle type	1416-100-60	1416-100-20

RL IP40



产品正在开发中
2020年12月份开始供
Under development,
shall be available on
December, 2020.



可选配件 : Accessories ref. page#
1. 锁舌 见页面 9A-001
Cam ref. to page 9A-001

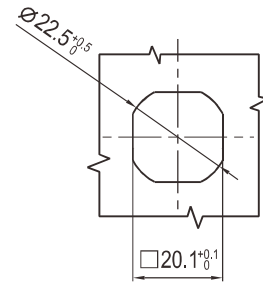
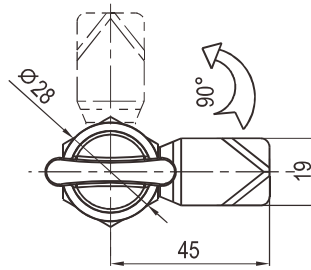
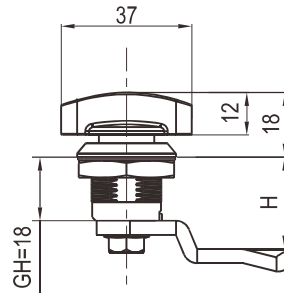
目录
Index

锁具
Lock

To get product 3D models freely, Please contact info@yeekaco.com

1D-015

RL IP65

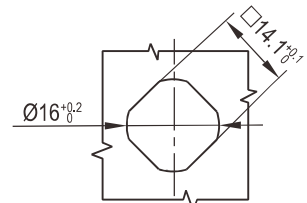
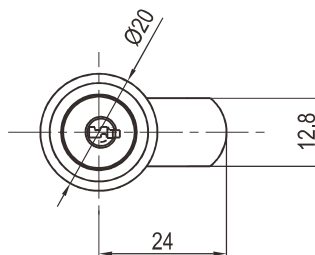
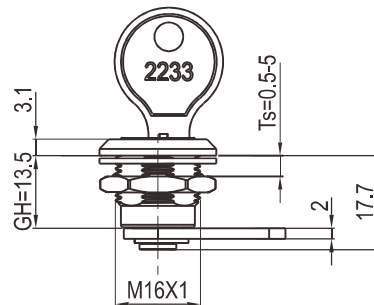


开孔尺寸
Panel Cutout

锌合金锁体, 喷塑或电镀亮铬, 镀锌钢锁舌
Zinc die, black powder coated or bright chrome, m.s. zinc plated cam.

喷塑亚光黑 Black Powder Coated	亮铬 Bright Chrome
1417-110-10	1417-110-30

RL IP40



开孔尺寸
Panel Cutout

锌合金锁体, 喷塑或电镀亮铬, 镀锌钢锁舌
Zinc die, black powder coated or bright chrome, m.s. zinc plated cam.

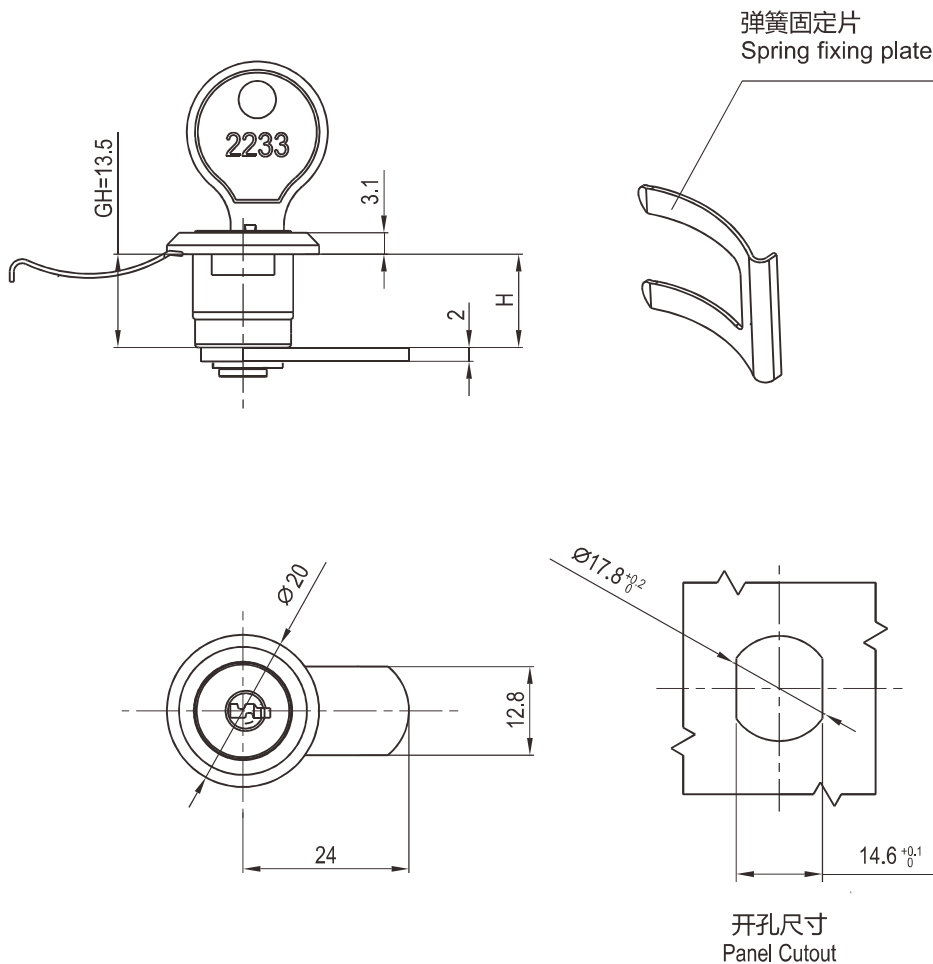
锁舌款式 H Cam Style H	螺母安装 With nut mounting	
	麻面黑 Black Textured Powder Coated	亮铬 Bright Chrome
H=7.5	1418-1-20.117.5	1418-1-30.117.5
H=13.5	1418-1-20.1113.5	1418-1-30.1113.5
H=19.5	1418-1-20.1119.5	1418-1-30.1119.5

备注: Remark
钥匙编号: 2233
Key code: 2233

直角转舌锁 Quarter Turn Lock

产品系列: 1418

yeeka



RL IP40



目录
Index

锁具
Lock

锌合金锁体, 喷塑或电镀亮铬, 镀锌钢锁舌
Zinc die, black powder coated or bright chrome, m.s. zinc plated cam.

锁舌款式 H Cam Style H	弹簧固定片 Spring fixing plate	
	麻面黑 Black Textured Powder Coated	亮铬 Bright Chrome
H=7.5	1418-2-20.117.5	1418-2-30.117.5
H=13.5	1418-2-20.1113.5	1418-2-30.1113.5
H=19.5	1418-2-20.1119.5	1418-2-30.1119.5



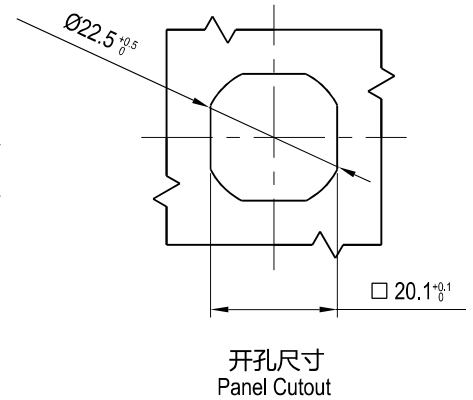
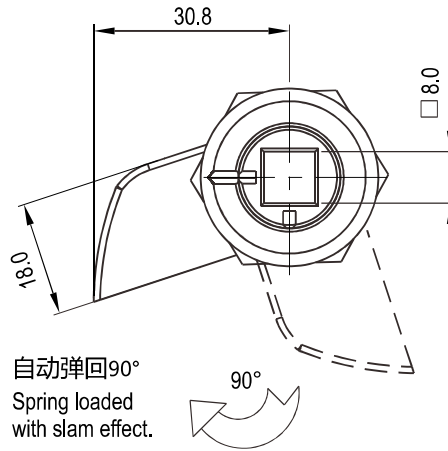
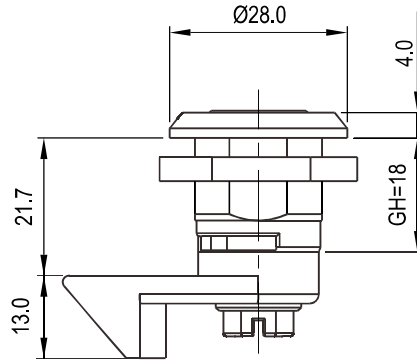
产品正在开发中
2020年12月份开始供
Under development,
shall be available on
December, 2020.

备注: Remark
钥匙编号: 2233
Key code: 2233

To get product 3D models freely, Please contact info@yeekaco.com

1D-017

RL IP40



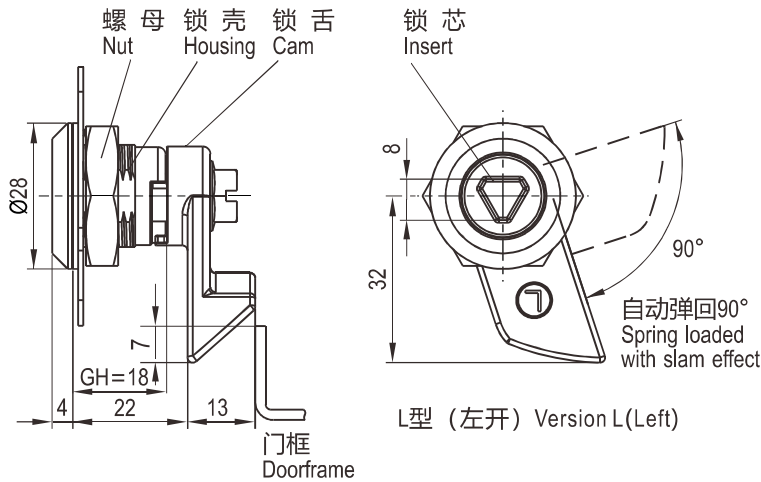
316 不锈钢弹力锁舌, 不锈钢定位环和螺钉
SUS316 slam cam, spacer, screw

不锈钢 316 SUS 316		
锁芯类型 Cylinder Style	左开 Left	右开 Right
内四方锁芯 8 Square Female 8mm	1419-248-316L	1419-248-316R

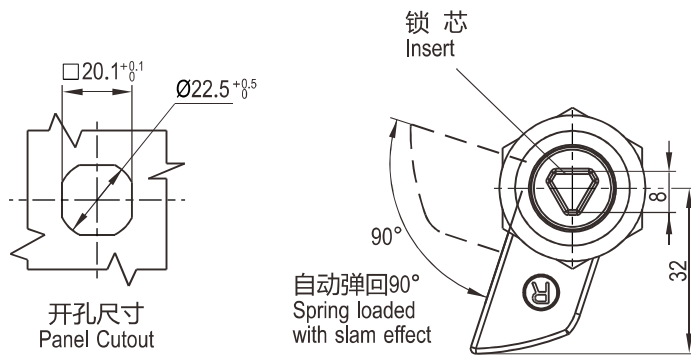
直角转舌锁 Quarter Turn Lock

产品系列: 1419

yeeka



L型 (左开) Version L(Left)

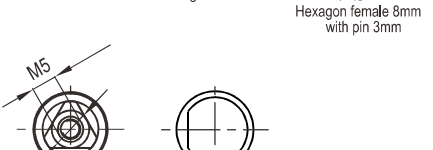
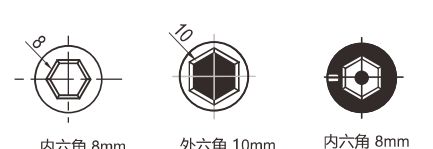
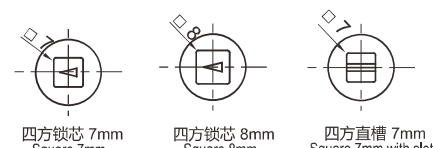


R型 (右开) Version R(Right)



目录
Index

锁具
Lock

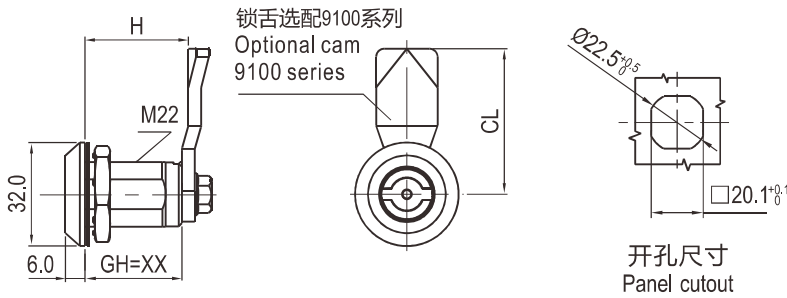


锌合金 Zinc die casting

锁芯类型 Insert type	左开 Left		右开 Right	
	亮铬 Bright Chrome	麻面黑 Black Textured Powder Coated	亮铬 Bright Chrome	麻面黑 Black Textured Powder Coated
双翅3mm Double Bit 3mm	1419-013-30L	1419-013-20L	1419-013-30R	1419-013-20R
双翅4mm Double Bit 4mm	1419-014-30L	1419-014-20L	1419-014-30R	1419-014-20R
双翅5mm Double Bit 5mm	1419-015-30L	1419-015-20L	1419-015-30R	1419-015-20R
2×4直槽型 2×4 Slot	1419-024-30L	1419-024-20L	1419-024-30R	1419-024-20R
2×4直槽防硬币型 2×4 Slot coin proof	1419-124-30L	1419-124-20L	1419-124-30R	1419-124-20R
三角7mm Triangular 7mm	1419-037-30L	1419-037-20L	1419-037-30R	1419-037-20R
三角8mm Triangular 8mm	1419-038-30L	1419-038-20L	1419-038-30R	1419-038-20R
四方6mm Square 6mm	1419-046-30L	1419-046-20L	1419-046-30R	1419-046-20R
四方7mm Square 7mm	1419-047-30L	1419-047-20L	1419-047-30R	1419-047-20R
四方8mm Square 8mm	1419-048-30L	1419-048-20L	1419-048-30R	1419-048-20R
四方7mm 带槽 Square 7mm with slot	1419-147-30L	1419-147-20L	1419-147-30R	1419-147-20R
四方8mm 带槽 Square 8mm with slot	1419-148-30L	1419-148-20L	1419-148-30R	1419-148-20R
内四方8mm Female square 8mm	1419-248-30L	1419-248-20L	1419-248-30R	1419-248-20R
内六角8mm Hexagon female 8mm	1419-168-30L	1419-168-20L	1419-168-30R	1419-168-20R
内六角9mm Hexagon female 9mm	1419-169-30L	1419-169-20L	1419-169-30R	1419-169-20R
内六角10mm Hexagon female 10mm	1419-160-30L	1419-160-20L	1419-160-30R	1419-160-20R
内六角8mm带销3mm Hexagon female 8mm with 3mm pin	1419-268-30L	1419-268-20L	1419-268-30R	1419-268-20R
外六角10mm Hexagon male 10mm	1419-360-30L	1419-360-20L	1419-360-30R	1419-360-20R
半圆型锁芯 13 Eastern Europe Ø13	1419-135-30L	1419-135-20L	1419-135-30R	1419-135-20R
三角带螺丝孔型 Triangular 10mm with M5 screw hole	1419-105-30L	1419-105-20L	1419-105-30R	1419-105-20R

To get product 3D models freely, Please contact info@yeekaco.com

1D-019



GH=18



GH=30

开孔尺寸
Panel cutout

锁芯类型 Cylinder Style	锁壳GH=18 Housing GH=18				锁壳GH=30 Housing GH=30			
	锌合金或不锈钢 Zinc die casting or Stainless Steel				锌合金或不锈钢 Zinc die casting or Stainless Steel			
	亮铬 Bright Chrome	麻面黑 Black Textured Powder Coated	塑料壳+锌合金锁芯 PA Housing+Zinc Die Insert	不锈钢 Stainless Steel	亮铬 Bright Chrome	麻面黑 Black Textured Powder Coated	塑料壳+锌合金锁芯 PA Housing+Zinc Die Insert	不锈钢 Stainless Steel
双翅3 Double Bit 3mm	1420-18013-30	1420-18013-20	1420-18013-20P	1420-18013-316	1420-30013-30	1420-30013-20	1420-30013-20P	1420-30013-316
双翅4 Double Bit 4mm	1420-18014-30	1420-18014-20	1420-18014-20P	1420-18014-316	1420-30014-30	1420-30014-20	1420-30014-20P	1420-30014-316
双翅5 Double Bit 5mm	1420-18015-30	1420-18015-20	1420-18015-20P	1420-18015-316	1420-30015-30	1420-30015-20	1420-30015-20P	1420-30015-316
2X4 直槽型 2X4 Slot	1420-18024-30	1420-18024-20	1420-18024-20P	1420-18024-316	1420-30024-30	1420-30024-20	1420-30024-20P	1420-30024-316
2X4 锁芯防硬币型 2X4 Slot coin proof	1420-18124-30	1420-18124-20	1420-18124-20P	1420-18124-316	1420-30124-30	1420-30124-20	1420-30124-20P	1420-30124-316
三角7 Triangular 7mm	1420-18037-30	1420-18037-20	1420-18037-20P	1420-18037-316	1420-30037-30	1420-30037-20	1420-30037-20P	1420-30037-316
三角8 Triangular 8mm	1420-18038-30	1420-18038-20	1420-18038-20P	1420-18038-316	1420-30038-30	1420-30038-20	1420-30038-20P	1420-30038-316
四方7 Square 7mm	1420-18047-30	1420-18047-20	1420-18047-20P	1420-18047-316	1420-30047-30	1420-30047-20	1420-30047-20P	1420-30047-316
四方8 Square 8mm	1420-18048-30	1420-18048-20	1420-18048-20P	1420-18048-316	1420-30048-30	1420-30048-20	1420-30048-20P	1420-30048-316
四方7带槽 Square 7mm with slot	1420-18147-30	1420-18147-20	1420-18147-20P	1420-18147-316	1420-30147-30	1420-30147-20	1420-30147-20P	1420-30147-316
四方8带槽 Square 8mm with slot	1420-18148-30	1420-18148-20	1420-18148-20P	1420-18148-316	1420-30148-30	1420-30148-20	1420-30148-20P	1420-30148-316
内四方8型 Square female 8mm	1420-18248-30	1420-18248-20	1420-18248-20P	1420-18248-316	1420-30248-30	1420-30248-20	1420-30248-20P	1420-30248-316
内六角8 Hexagon female 8mm	1420-18168-30	1420-18168-20	1420-18168-20P	1420-18168-316	1420-30168-30	1420-30168-20	1420-30168-20P	1420-30168-316
内六角9 Hexagon female 9mm	1420-18169-30	1420-18169-20	1420-18169-20P	1420-18169-316	1420-30169-30	1420-30169-20	1420-30169-20P	1420-30169-316
内六角8带槽3 Hexagon female 8mm with 3mm pin	1420-18268-30	1420-18268-20	1420-18268-20P	1420-18268-316	1420-30268-30	1420-30268-20	1420-30268-20P	1420-30268-316
外六角10型 Hexagon male 10mm	1420-18360-30	1420-18360-20	1420-18360-20P	1420-18360-316	1420-30360-30	1420-30360-20	1420-30360-20P	1420-30360-316
三角螺丝孔型 Triangular 10mm with M5 screw hole	1420-18105-30	1420-18105-20	1420-18105-20P	1420-18105-316	1420-30105-30	1420-30105-20	1420-30105-20P	1420-30105-316

锁芯类型 Cylinder Style	锁壳GH=36 Housing GH=36				锁壳GH=40 Housing GH=40			
	锌合金或不锈钢 Zinc die casting or Stainless Steel				锌合金或不锈钢 Zinc die casting or Stainless Steel			
	亮铬 Bright Chrome	麻面黑 Black Textured Powder Coated	塑料壳+锌合金锁芯 PA Housing+Zinc Die Insert	不锈钢 Stainless Steel	亮铬 Bright Chrome	麻面黑 Black Textured Powder Coated	塑料壳+锌合金锁芯 PA Housing+Zinc Die Insert	不锈钢 Stainless Steel
双翅3 Double Bit 3mm	1420-36013-30	1420-36013-20	1420-36013-20P	1420-36013-316	1420-40013-30	1420-40013-20	1420-40013-20P	1420-40013-316
双翅4 Double Bit 4mm	1420-36014-30	1420-36014-20	1420-36014-20P	1420-36014-316	1420-40014-30	1420-40014-20	1420-40014-20P	1420-40014-316
双翅5 Double Bit 5mm	1420-36015-30	1420-36015-20	1420-36015-20P	1420-36015-316	1420-40015-30	1420-40015-20	1420-40015-20P	1420-40015-316
2X4 直槽型 2X4 Slot	1420-36024-30	1420-36024-20	1420-36024-20P	1420-36024-316	1420-40024-30	1420-40024-20	1420-40024-20P	1420-40024-316
2X4 锁芯防硬币型 2X4 Slot coin proof	1420-36124-30	1420-36124-20	1420-36124-20P	1420-36124-316	1420-40124-30	1420-40124-20	1420-40124-20P	1420-40124-316
三角7 Triangular 7mm	1420-36037-30	1420-36037-20	1420-36037-20P	1420-36037-316	1420-40037-30	1420-40037-20	1420-40037-20P	1420-40037-316
三角8 Triangular 8mm	1420-36038-30	1420-36038-20	1420-36038-20P	1420-36038-316	1420-40038-30	1420-40038-20	1420-40038-20P	1420-40038-316
四方7 Square 7mm	1420-36047-30	1420-36047-20	1420-36047-20P	1420-36047-316	1420-40047-30	1420-40047-20	1420-40047-20P	1420-40047-316
四方8 Square 8mm	1420-36048-30	1420-36048-20	1420-36048-20P	1420-36048-316	1420-40048-30	1420-40048-20	1420-40048-20P	1420-40048-316
四方7带槽 Square 7mm with slot	1420-36147-30	1420-36147-20	1420-36147-20P	1420-36147-316	1420-40147-30	1420-40147-20	1420-40147-20P	1420-40147-316
四方8带槽 Square 8mm with slot	1420-36148-30	1420-36148-20	1420-36148-20P	1420-36148-316	1420-40148-30	1420-40148-20	1420-40148-20P	1420-40148-316
内四方8型 Square female 8mm	1420-36248-30	1420-36248-20	1420-36248-20P	1420-36248-316	1420-40248-30	1420-40248-20	1420-40248-20P	1420-40248-316
内六角8 Hexagon female 8mm	1420-36168-30	1420-36168-20	1420-36168-20P	1420-36168-316	1420-40168-30	1420-40168-20	1420-40168-20P	1420-40168-316
内六角9 Hexagon female 9mm	1420-36169-30	1420-36169-20	1420-36169-20P	1420-36169-316	1420-40169-30	1420-40169-20	1420-40169-20P	1420-40169-316
内六角8带槽3 Hexagon female 8mm with 3mm pin	1420-36268-30	1420-36268-20	1420-36268-20P	1420-36268-316	1420-40268-30	1420-40268-20	1420-40268-20P	1420-40268-316
外六角10型 Hexagon male 10mm	1420-36360-30	1420-36360-20	1420-36360-20P	1420-36360-316	1420-40360-30	1420-40360-20	1420-40360-20P	1420-40360-316
三角螺丝孔型 Triangular 10mm with M5 screw hole	1420-36105-30	1420-36105-20	1420-36105-20P	1420-36105-316	1420-40105-30	1420-40105-20	1420-40105-20P	1420-40105-316

直角转舌锁 Quarter Turn Lock

产品系列: 1420

yeeka



GH=36



GH=40



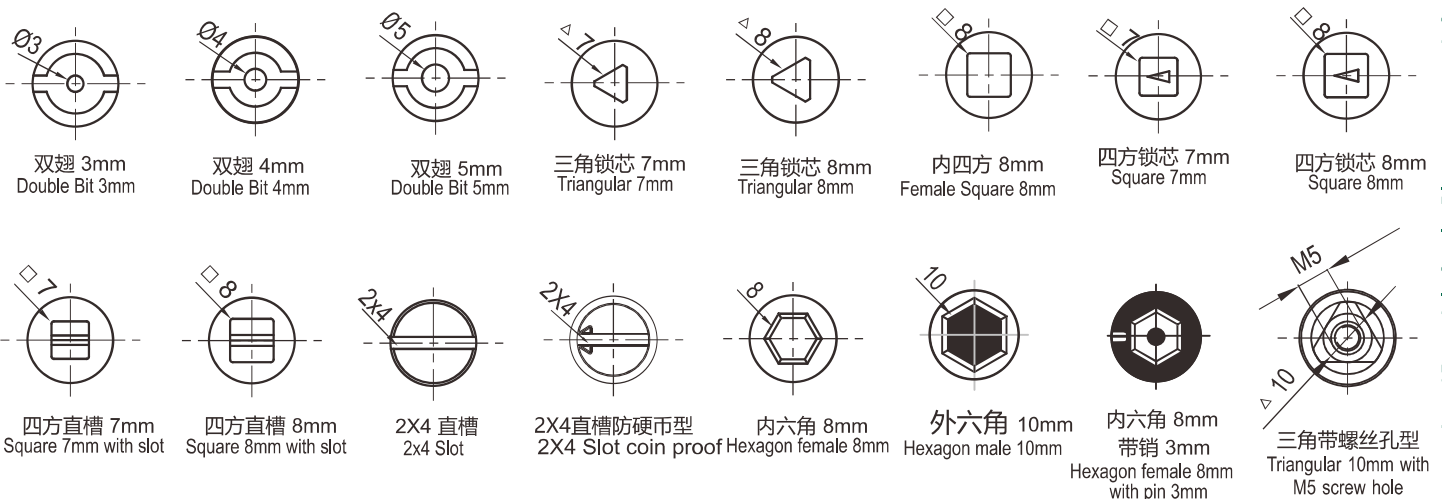
GH=50



GH=60

锌合金锁壳、手柄; 喷塑亚光黑或电镀亮铬, 镀锌锁舌。 或全不锈钢
Zinc die handle and housing, black powder coated or bright chrome, m.s.
zinc plated cam or full stainless steel.

锁芯类型 Cylinder Style	锁壳GH=50 Housing GH=50				锁壳GH=60 Housing GH=60			
	锌合金或不锈钢 Zinc die casting or Stainless Steel				锌合金或不锈钢 Zinc die casting or Stainless Steel			
	亮铬 Bright Chrome	麻面黑 Black Textured Powder Coated	塑料壳+锌合金锁芯 PA Housing+Zinc Die Insert	不锈钢 Stainless Steel	亮铬 Bright Chrome	麻面黑 Black Textured Powder Coated	塑料壳+锌合金锁芯 PA Housing+Zinc Die Insert	不锈钢 Stainless Steel
双翅3 Double Bit 3mm	1420-50013-30	1420-50013-20	1420-50013-20P	1420-50013-316	1420-60013-30	1420-60013-20	1420-60013-20P	1420-60013-316
双翅4 Double Bit 4mm	1420-50014-30	1420-50014-20	1420-50014-20P	1420-50014-316	1420-60014-30	1420-60014-20	1420-60014-20P	1420-60014-316
双翅5 Double Bit 5mm	1420-50015-30	1420-50015-20	1420-50015-20P	1420-50015-316	1420-60015-30	1420-60015-20	1420-60015-20P	1420-60015-316
2X4 直槽型 2X4 Slot	1420-50024-30	1420-50024-20	1420-50024-20P	1420-50024-316	1420-60024-30	1420-60024-20	1420-60024-20P	1420-60024-316
2X4 锁芯防硬币型 2X4 Slot coin proof	1420-50124-30	1420-50124-20	1420-50124-20P	1420-50124-316	1420-60124-30	1420-60124-20	1420-60124-20P	1420-60124-316
三角7 Triangular 7mm	1420-50037-30	1420-50037-20	1420-50037-20P	1420-50037-316	1420-60037-30	1420-60037-20	1420-60037-20P	1420-60037-316
三角8 Triangular 8mm	1420-50038-30	1420-50038-20	1420-50038-20P	1420-50038-316	1420-60038-30	1420-60038-20	1420-60038-20P	1420-60038-316
四方7 Square 7mm	1420-50047-30	1420-50047-20	1420-50047-20P	1420-50047-316	1420-60047-30	1420-60047-20	1420-60047-20P	1420-60047-316
四方8 Square 8mm	1420-50048-30	1420-50048-20	1420-50048-20P	1420-50048-316	1420-60048-30	1420-60048-20	1420-60048-20P	1420-60048-316
四方7带槽 Square 7mm with slot	1420-50147-30	1420-50147-20	1420-50147-20P	1420-50147-316	1420-60147-30	1420-60147-20	1420-60147-20P	1420-60147-316
四方8带槽 Square 8mm with slot	1420-50148-30	1420-50148-20	1420-50148-20P	1420-50148-316	1420-60148-30	1420-60148-20	1420-60148-20P	1420-60148-316
内四方8型 Square female 8mm	1420-50248-30	1420-50248-20	1420-50248-20P	1420-50248-316	1420-60248-30	1420-60248-20	1420-60248-20P	1420-60248-316
内六角8 Hexagon female 8mm	1420-50168-30	1420-50168-20	1420-50168-20P	1420-50168-316	1420-60168-30	1420-60168-20	1420-60168-20P	1420-60168-316
内六角9 Hexagon female 9mm	1420-50169-30	1420-50169-20	1420-50169-20P	1420-50169-316	1420-60169-30	1420-60169-20	1420-60169-20P	1420-60169-316
内六角带销3 Hexagon female 8mm with 3mm pin	1420-50268-30	1420-50268-20	1420-50268-20P	1420-50268-316	1420-60268-30	1420-60268-20	1420-60268-20P	1420-60268-316
外六角10型 Hexagon male 10mm	1420-50360-30	1420-50360-20	1420-50360-20P	1420-50360-316	1420-60360-30	1420-60360-20	1420-60360-20P	1420-60360-316
三角螺丝孔型 Triangular 10mm with M5 screw hole	1420-50105-30	1420-50105-20	1420-50105-20P	1420-50105-316	1420-60105-30	1420-60105-20	1420-60105-20P	1420-60105-316



目录 Index
锁具 Lock

To get product 3D models freely, Please contact info@yeekaco.com

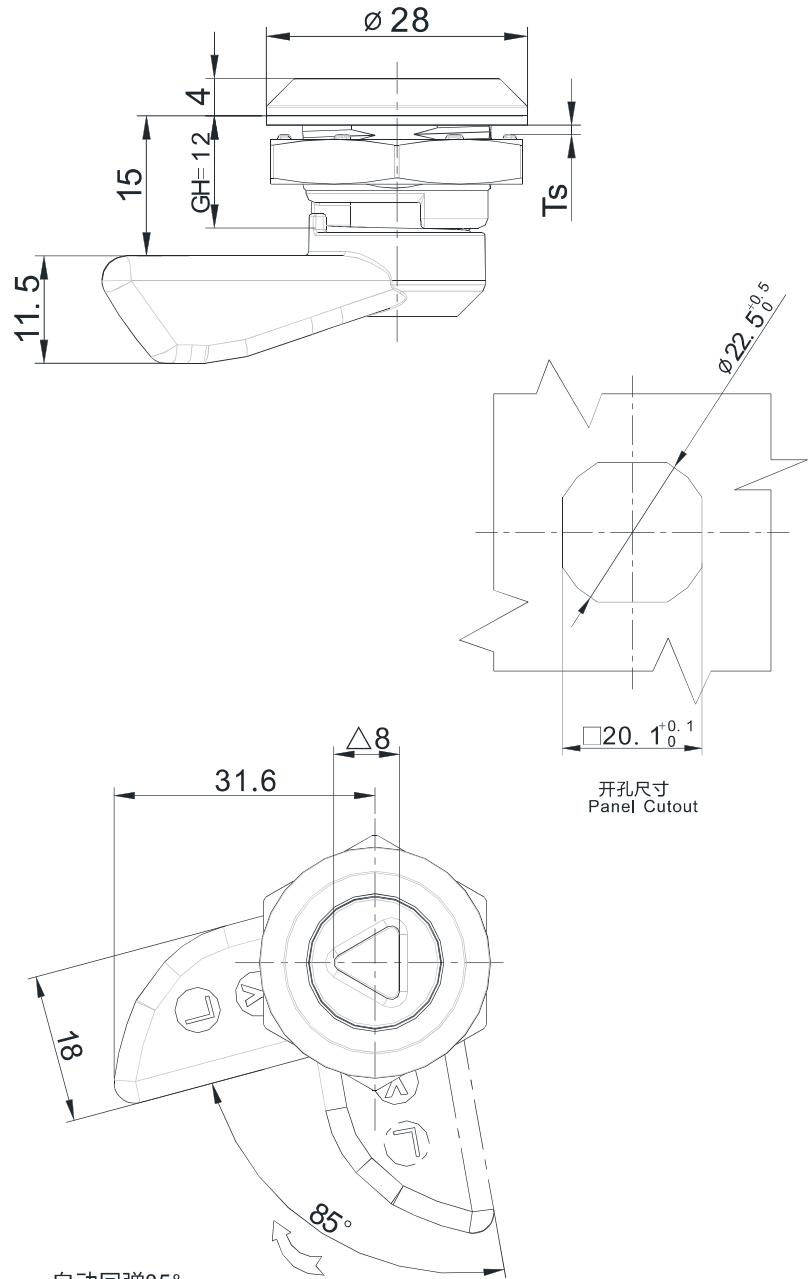
1D-021

IP40

NEW

目录
Index

锁具
Locks



自动回弹85°
Spring loaded 85°
with slam effect

锌合金 Zinc die casting

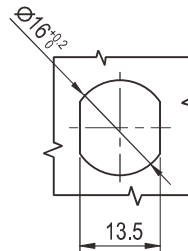
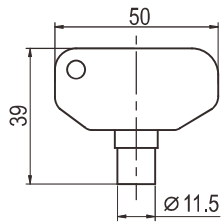
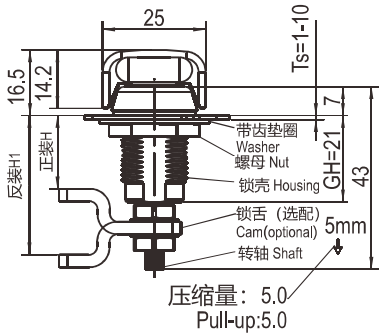
锁芯类型 Insert type	左开 Left		右开 Right	
	亮铬 Bright Chrome	麻面黑 Black Textured Powder Coated	亮铬 Bright Chrome	麻面黑 Black Textured Powder Coated
三角8mm Triangular 8mm	1419-12038-30L	1419-12038-20L	1419-12038-30R	1419-12038-20R

如需获得产品3D模型图，请联系 info@yeekaco.com

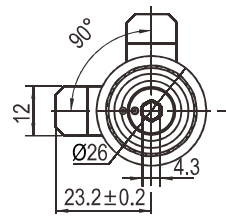
压缩式门锁, 小型, 可调间距 Compression latch, Mini version, Adjustable grip range

产品系列: 1421

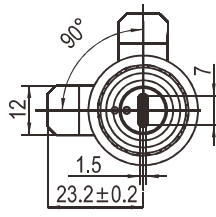
yeeka



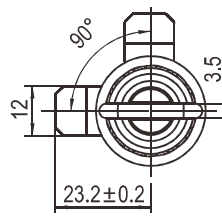
钢镀镍钥匙, 适用于钥匙操纵型号
Nickel plated Key, for key operated
产品编号 (part#) : 9200-1421-80



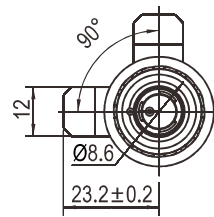
工具操纵型
Tool-operated



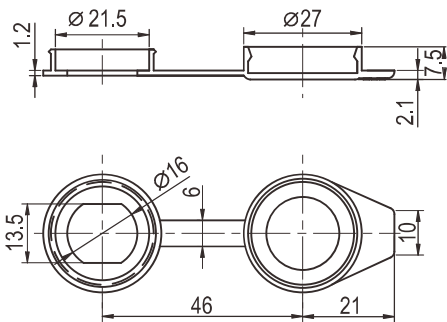
一字槽型
Slotted recess



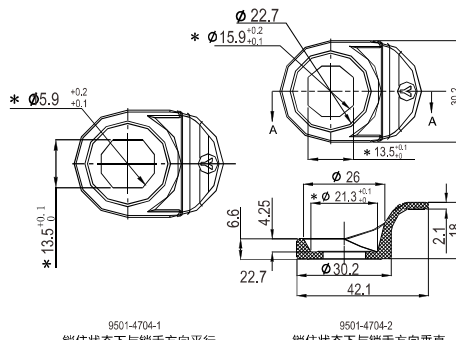
把手型
Knob style



钥匙操纵型
Key-operated



防水盖 Water dust proof cover
产品编号 (part#) : 9401-4102



取手 Pull Tab
产品编号 (part#) : 9501-4704-1
9501-4704-2

喷塑锁体, 镀锌钢锁片
Zinc die, black powder coated or bright chrome, m.s. zinc plated cam.

RL IP65



选配件, 需单独订购
Optional components, Need to be ordered separately.



间距 Grip Range		锁头类型 Head Style			
最小 Min	最大 Max	一字槽型 Slotted recess	工具操纵型 Tool-operated	把手型 Knob style	钥匙操纵型 Key operated
3.2	6.4	1421-05-1510	1421-04-1510	1421-08-1510	1421-20-1510
6.4	9.5	1421-05-2510	1421-04-2510	1421-08-2510	1421-20-2510
9.5	12.7	1421-05-3510	1421-04-3510	1421-08-3510	1421-20-3510
12.7	15.9	1421-05-4510	1421-04-4510	1421-08-4510	1421-20-4510
15.9	19	1421-05-5510	1421-04-5510	1421-08-5510	1421-20-5510
19	22.2	1421-05-6510	1421-04-6510	1421-08-6510	1421-20-6510
22.2	25.4	1421-05-7510	1421-04-7510	1421-08-7510	1421-20-7510
25.4	28.6	1421-05-8510	1421-04-8510	1421-08-8510	1421-20-8510

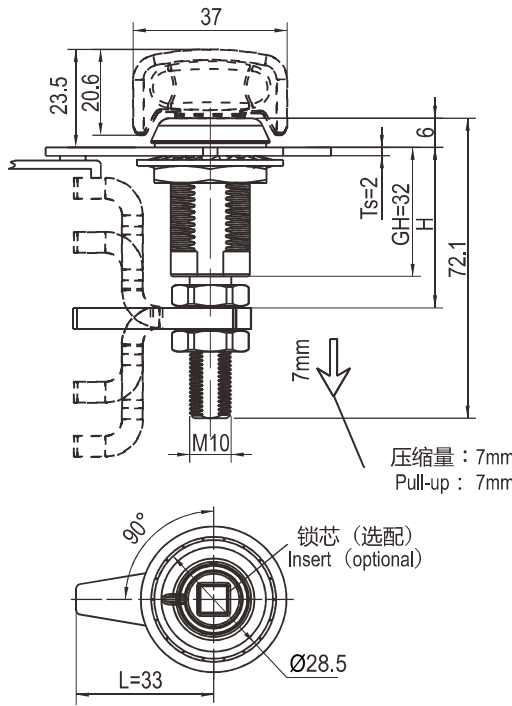
目录
Index

锁具
Lock

To get product 3D models freely, Please contact info@yeekaco.com

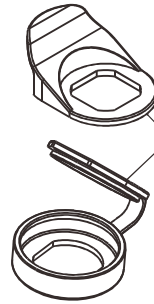
1D-023

RL IP65



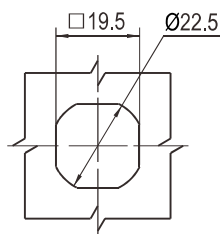
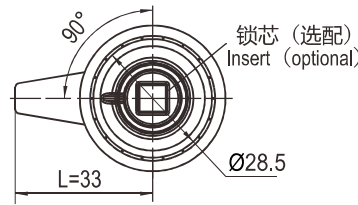
选配件, 需单独订购
Optional components, need to be ordered separately.

产品编号 (part#): 9501-4702
取手 (Pull-Tab)

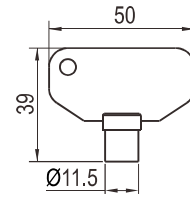


除了把手型,
其他可选配
Not suitable for
knob style

产品编号 (part#): 9401-4101
防水盖 (Water dust proof cover)

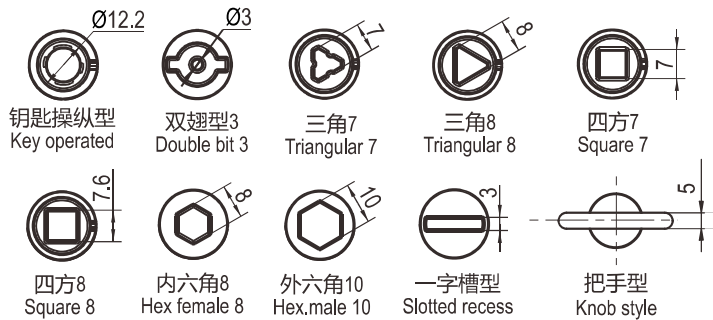


开孔尺寸
Panel cutout



钥匙操纵型锁芯专用钥匙
For key operated

产品编号 (part#): 9200-1422-80



锌合金锁壳、锁芯; 喷塑亚光黑或电镀亮铬, 镀锌锁舌和转轴。
Zinc die housing, cylinder; black powder coated or bright chrome; m.s. zinc plated cam and shaft.

锁片款式 Camstyle	间距 Grip Range		锁头类型 Head Style									
	最小 Min	最大 Max	钥匙操纵型 Key operated	双翅型 Double bit 3mm	三角 Triangular 7mm	三角 Triangular 8mm	四方 Square 7mm	四方 Square 8mm	一字槽型 Slotted recess	内六角 Hex female 8mm	外六角 Hex.male 10mm	把手型 Knob style
正向锁片 reversed cam	11.4	27.2	1422-20-1510	1422-013-1510	1422-037-1510	1422-038-1510	1422-047-1510	1422-048-1510	1422-05-1510	1422-068-1510	1422-060-1510	1422-07-1510
	25.4	41.1	1422-20-2510	1422-013-2510	1422-037-2510	1422-038-2510	1422-047-2510	1422-048-2510	1422-05-2510	1422-068-2510	1422-060-2510	1422-07-2510
直立锁片 straight cam	38.9	54.6	1422-20-3510	1422-013-3510	1422-037-3510	1422-038-3510	1422-047-3510	1422-048-3510	1422-05-3510	1422-068-3510	1422-060-3510	1422-07-3510
反向锁片 offset cam	52.6	68.3	1422-20-2510	1422-013-2510	1422-037-2510	1422-038-2510	1422-047-2510	1422-048-2510	1422-05-2510	1422-068-2510	1422-060-2510	1422-07-2510
	66.3	76.2	1422-20-1510	1422-013-1510	1422-037-1510	1422-038-1510	1422-047-1510	1422-048-1510	1422-05-1510	1422-068-1510	1422-060-1510	1422-07-1510

如需获得产品3D模型图, 请联系 info@yeekaco.com

压缩式门锁, 大型, 可调间距, 锁芯外不带圆圈

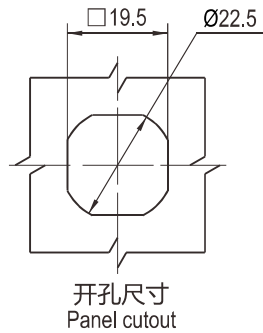
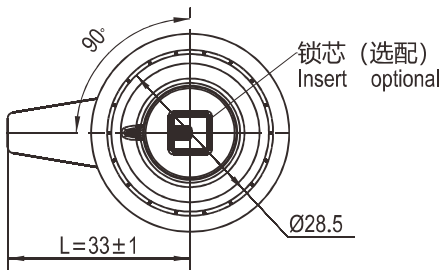
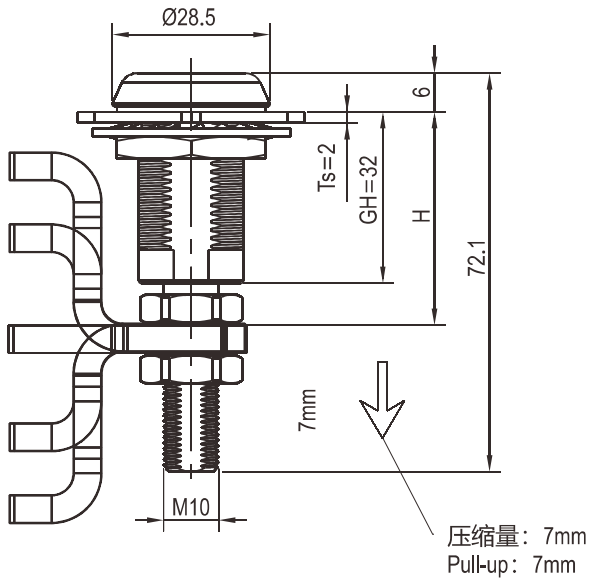
Compression latch, Large version, Adjustable grip range, insert without circle

产品系列: 1422

yeeka

目录
Index

锁具
Lock



三角锁芯 7mm
Triangular 7mm



三角锁芯 8mm
Triangular 8mm



四方锁芯 7mm
Square 7mm



四方锁芯 8mm
Square 8mm

锌合金锁壳、锁芯; 喷塑亚光黑或电镀亮铬, 镀锌锁舌和转轴
Zinc die housing, cylinder; black powder coated or bright chrome; m.s. zinc plated cam and shaft.

锁片款式 Camstyle	间距 Grip Range		锁头类型 Head Style			
	最小 Min	最大 Max	三角 Triangular 7mm	三角 Triangular 8mm	四方 Square 7mm	四方 Square 8mm
正向锁片 reversed cam	11.4	27.2	1422-0371-1510	1422-0381-1510	1422-0471-1510	1422-0481-1510
	25.4	41.1	1422-0371-2510	1422-0381-2510	1422-0471-2510	1422-0481-2510
直立锁片 straight cam	38.9	54.6	1422-0371-3510	1422-0381-3510	1422-0471-3510	1422-0481-3510
	52.6	68.3	1422-0371-2510	1422-0381-2510	1422-0471-2510	1422-0481-2510
反向锁片 offset cam	66.3	76.2	1422-0371-1510	1422-0381-1510	1422-0471-1510	1422-0481-1510

RL IP65



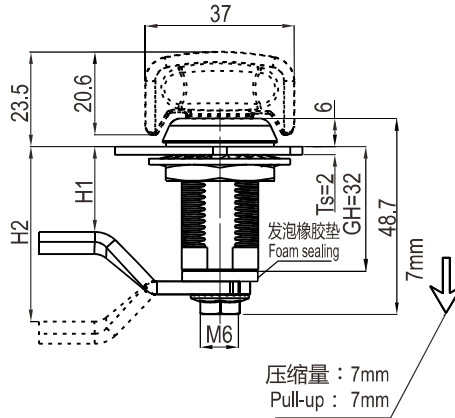
To get product 3D models freely, Please contact info@yeekaco.com

1D-025

RL IP65

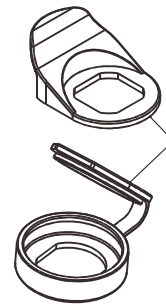


可选配件: Accessories ref. page#
1. 锁舌 见页面 9A-003
Cam ref. to page 9A-003

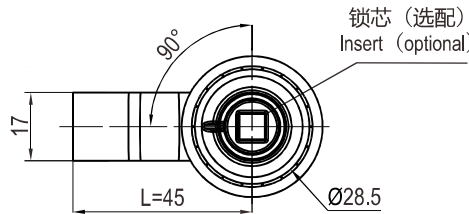


选配件, 需单独订购
Optional components, need to be ordered separately.

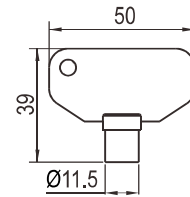
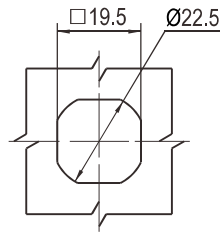
产品编号 (part#): 9501-4702
取手 (Pull-Tab)



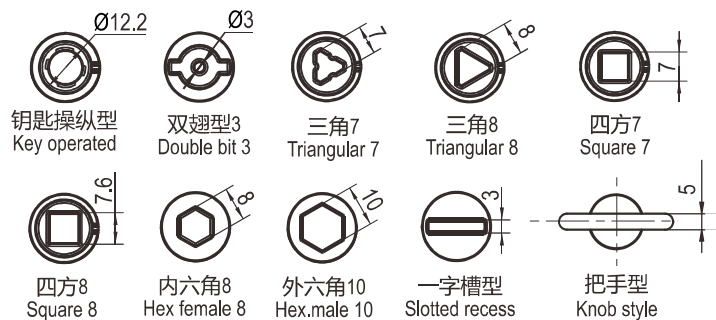
除了把手型,
其他可选配
Not suitable for knob style



产品编号 (part#): 9401-4101
防水盖 (Water dust proof cover)



钥匙操纵型锁芯专用钥匙
For key operated
产品编号 (part#): 9200-1422-80

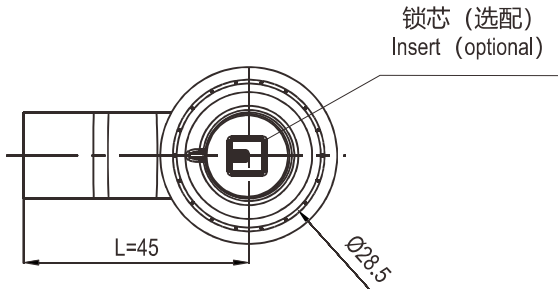
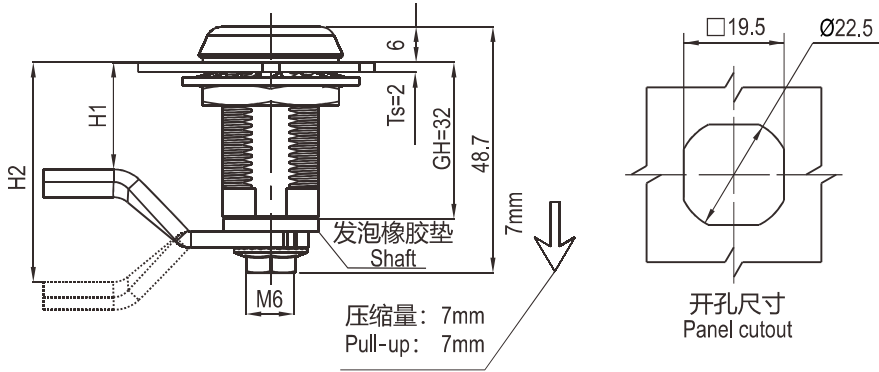


锌合金锁壳、锁芯; 喷塑亚光黑或电镀亮铬, 镀锌锁舌和转轴
Zinc die housing, cylinder; black powder coated or bright chrome; m.s. zinc plated cam and shaft.

锁片款式 Camstyle	锁头类型 Head Style									
	钥匙操纵型 Key operated	双翼型 Double bit 3mm	三角 Triangular 7mm	三角 Triangular 8mm	四方 Square 7mm	四方 Square 8mm	一字槽型 Slotted recess	内六角 Hex female 8mm	外六角 Hex.male 10mm	把手型 Knob style
见页面 9A-003 Cam ref. to page 9A-003	1423-20-10	1423-013-10	1423-037-10	1423-038-10	1423-047-10	1423-048-10	1423-05-10	1423-068-10	1423-060-10	1423-07-10

压缩式门锁, 大型, 固定间距, 锁芯外不带圆圈
 Compression latch, Large version, Fixed grip range, insert without circle

产品系列: 1423



三角锁芯 7mm
Triangular 7mm



三角锁芯 8mm
Triangular 8mm



四方锁芯 7mm
Square 7mm



四方锁芯 8mm
Square 8mm

锌合金锁壳、锁芯; 喷塑亚光黑或电镀亮铬, 镀锌锁舌和转轴
 Zinc die housing, cylinder; black powder coated or bright chrome; m.s. zinc plated cam and shaft.

锁片款式 Camstyle	锁头类型 Head Style			
	三角 Triangular 7mm	三角 Triangular 8mm	四方 Square 7mm	四方 Square 8mm
见页面 9A-003 Cam ref. to page 9A-003	1423-0371-10	1423-0381-10	1423-0471-10	1423-0481-10

RL IP65



可选配件: Accessories ref. page#
 1. 锁舌页面 9A-003
 Cam ref. to page 9A-003

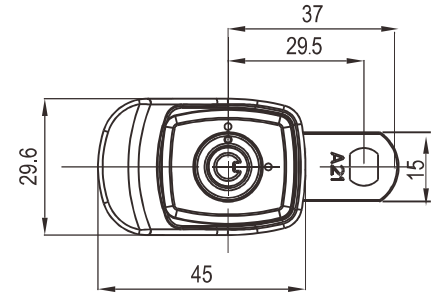
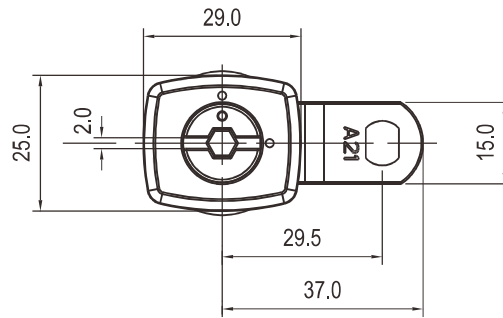
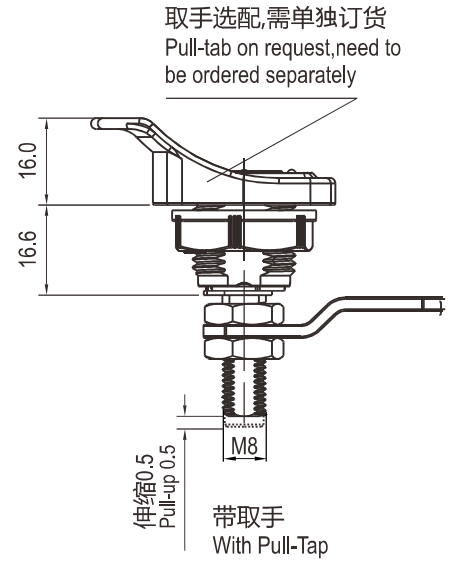
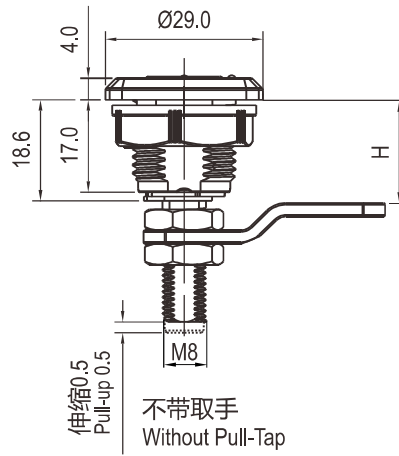
目录
Index

锁具
Lock

To get product 3D models freely, Please contact info@yeekaco.com

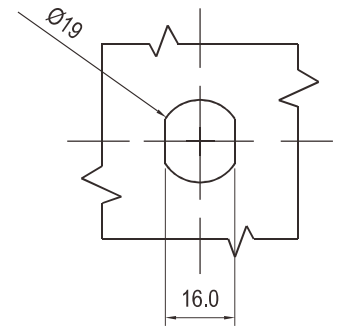
1D-027

IP40



内六角一字槽锁芯
Hex female 5mm with slot insert

圆形头带槽锁芯
Tubular



开孔尺寸
Panel cutout

黑色塑料 PA 锁壳, 取手, 螺母, 锌合金锁芯, 亮铬, 镀锌钢锁舌
Black PA plastic, housing, pull-tab, nut, zinc alloy shaft, chrome plated, m.s. zinc plated cam

如需获得产品3D模型图, 请联系info@yeekaco.com

轴类型 Shaft style	间距 Grip Range				锁芯类型 Cylinder Style	
	不带取手 Without Pull-Tap		带取手 With Pull-Tap			
	正向 Pawl Forward	反向 Pawl Reversed	正向 Pawl Forward	反向 Pawl Reversed	内六角一字槽锁芯 Hex female 5mm with slot insert	圆形头带槽锁芯 Tubular
	MIN-MAX	MIN-MAX	MIN-MAX	MIN-MAX		
长轴 Long Shaft	19-28	29-38	17-26	37-36	1426-265-L21	1426-140-L21
	14-23	34-43	17-21	32-34	1426-265-L22	1426-140-L22
	9-18	39-48	7-16	37-46	1426-265-L23	1426-140-L23
	24-33		22-31		1426-265-L24	1426-140-L24

防震式门锁, 固定间距

Vibration resistant compact quarter turn lock, Fixed grip range

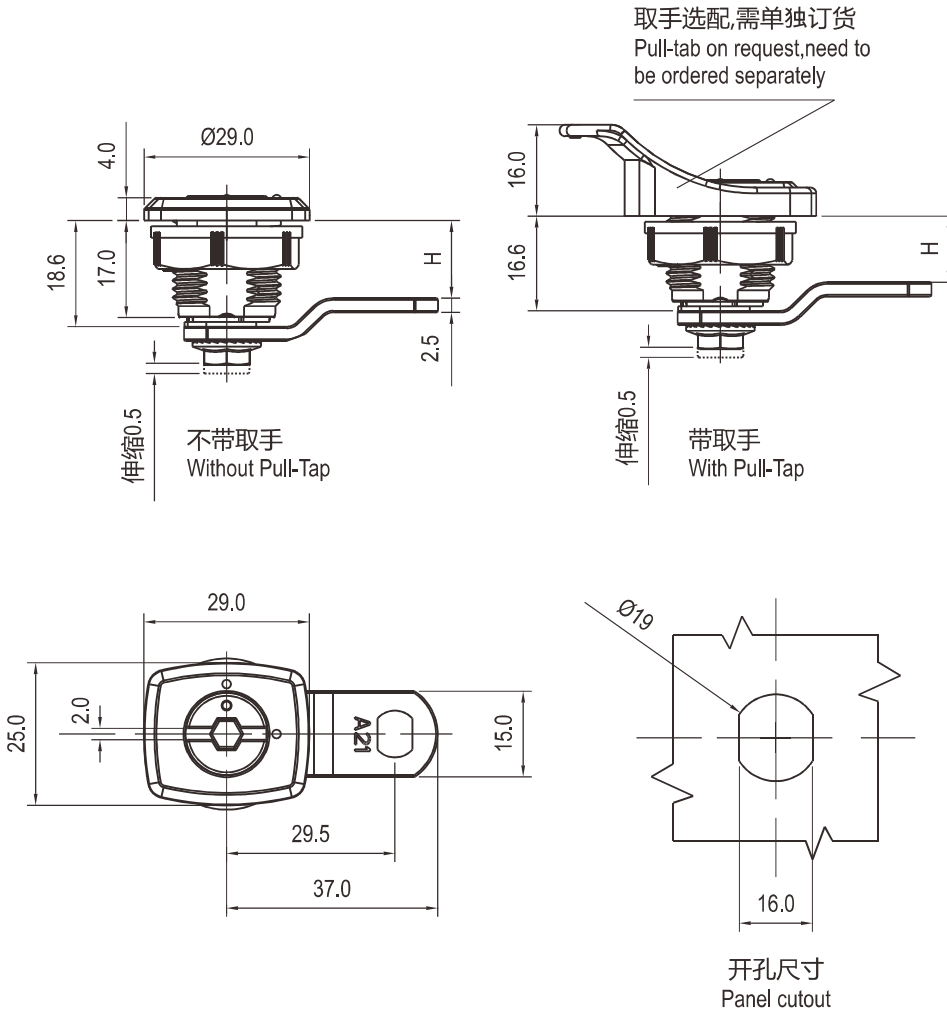
产品系列: 1426



RL IP40

目录
Index

锁具
Lock



黑色塑料 PA 锁壳, 取手, 螺母, 锌合金锁芯, 亮铬, 镀锌钢锁舌
Black PA plastic, housing, pull-tab, nut, zinc alloy shaft, chrome plated, m.s. zinc plated cam

轴类型 Shaft style	间距 Grip Range				锁芯类型 Cylinder Style
	不带取手 Without Pull-Tab		带取手 With Pull-Tab		
	正向 Pawl Forward	反向 Pawl Reversed	正向 Pawl Forward	反向 Pawl Reversed	内六角一字槽锁芯 Hex female 5mm with slot insert
短轴 Short shaft	13.6	23.6	11.6	21.6	1426-265-S21
	8.6	28.6	6.6	26.6	1426-265-S22
	3.6	33.6	1.6	31.6	1426-265-S23
	18.6		16.6		1426-265-S24

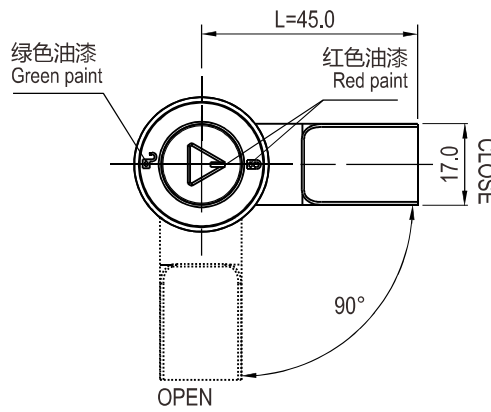
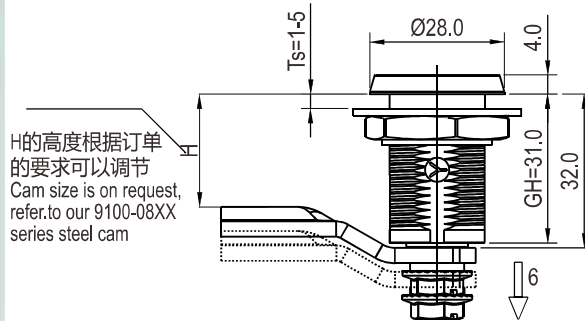
To get product 3D models freely, Please contact info@yeekaco.com

1D-029

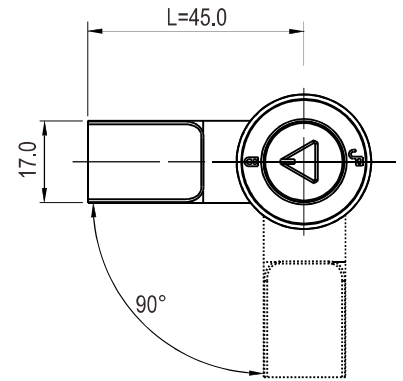
IP65

目录
Index

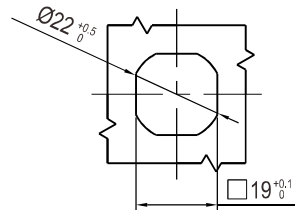
锁具
Locks



左开 Left open



右开 Right open



开孔尺寸
Panel Cutout



三角锁芯 8mm
Triangular 8mm



四方锁芯 7mm
Square 7mm

316不锈钢,锁壳,锁芯,销轴,
Compression latch SUS316

可选配件 : Accessories ref. page#
1. 锁舌 见页面 9A-003
Cam ref. to page 9A-003

不锈钢 316 SUS 316		
锁芯类型 Cylinder Style	左开 Left open	右开 Right open
四方 7 Square 7mm	1427-047-316L	1427-047-316R
三角 8 Triangular 8mm	1427-038-316L	1427-038-316R

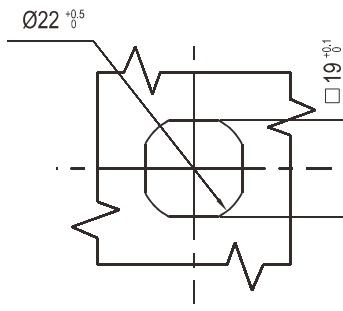
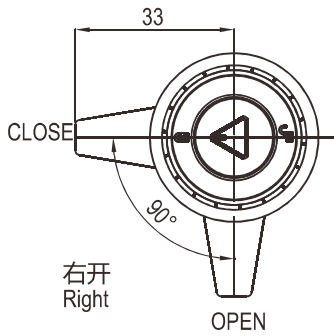
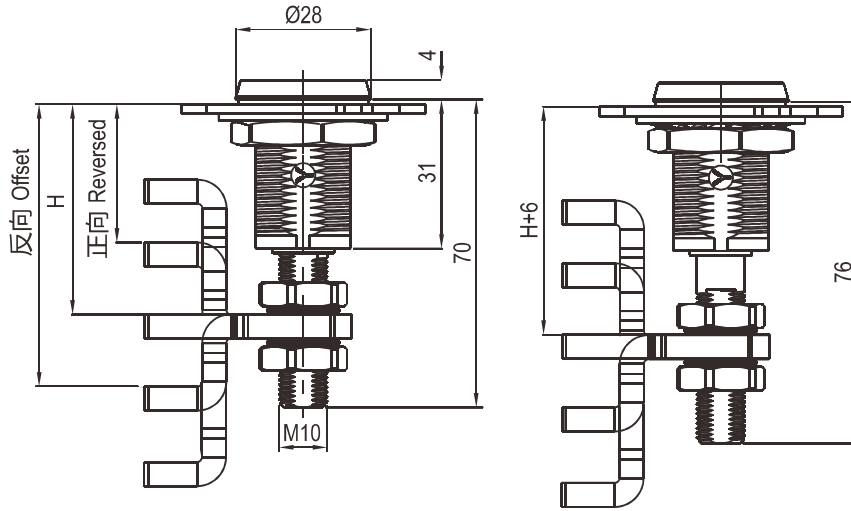
如需获得产品3D模型图，请联系 info@yeekaco.com

不锈钢压缩式门锁，大型，可调间距

SUS compression latch, Large version, Adjustable grip range

产品系列: 1427

yeeka



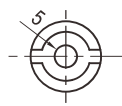
开孔尺寸
Panel cutout



三角锁芯 8mm
Triangular 8mm



四方锁芯 7mm
Square 7mm



双翅 5mm
Double Bit 5mm

RLS TAINLESS SERIES IP65



316不锈钢,锁壳,锁芯,销轴
Compression latch SUS316

锁片款式 Camstyle	间距 Grip Range		锁头类型 Head Style					
	最小 Min	最大 Max	左开 Left open			右开 Right open		
			双翅型 5mm Double bit 5mm	三角锁芯 8mm Triangular 8mm	四方锁芯 7mm Square 7mm	双翅型 5mm Double bit 5mm	三角锁芯 8mm Triangular 8mm	四方锁芯 7mm Square 7mm
正向锁片 reversed cam	11.4	27.2	1427-015L-316L-15	1427-038L-316L-15	1427-047L-316L-15	1427-015L-316R-15	1427-038L-316R-15	1427-047L-316R-15
	25.4	41.1	1427-015L-316L-25	1427-038L-316L-25	1427-047L-316L-25	1427-015L-316R-25	1427-038L-316R-25	1427-047L-316R-25
直立锁片 straight cam	38.9	54.6	1427-015L-316L-35	1427-038L-316L-35	1427-047L-316L-35	1427-015L-316R-35	1427-038L-316R-35	1427-047L-316R-35
	52.6	68.3	1427-015L-316L-25	1427-038L-316L-25	1427-047L-316L-25	1427-015L-316R-25	1427-038L-316R-25	1427-047L-316R-25
反向锁片 offset cam	52.6	68.3	1427-015L-316L-25	1427-038L-316L-25	1427-047L-316L-25	1427-015L-316R-25	1427-038L-316R-25	1427-047L-316R-25
	66.3	76.2	1427-015L-316L-15	1427-038L-316L-15	1427-047L-316L-15	1427-015L-316R-15	1427-038L-316R-15	1427-047L-316R-15

目录
Index

锁具
Lock

To get product 3D models freely, Please contact info@yeekaco.com

1D-031

IP65 RL **NEW**

目录
Index

锁具
Locks



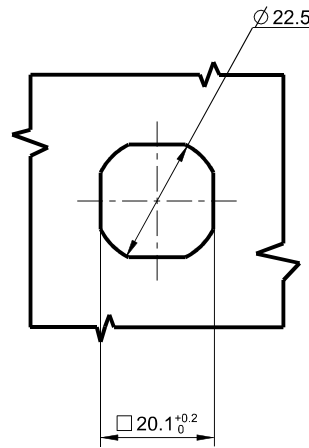
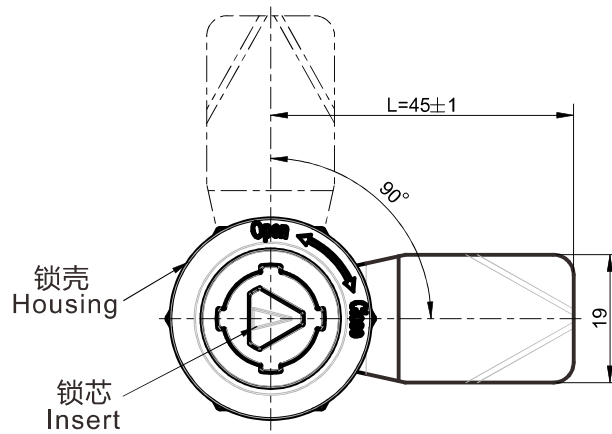
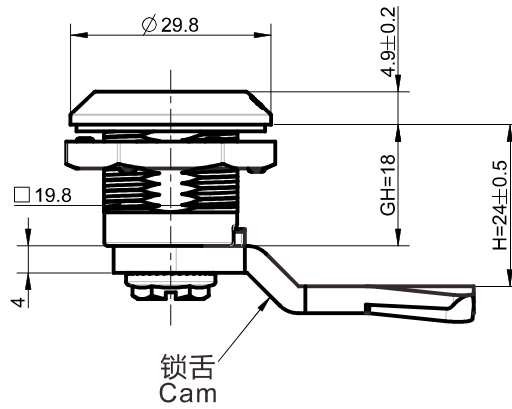
下压后，锁芯方可转动！
Press mask back and turn insert!



安全转舌锁：
此种转舌锁具有良好的防振功能，根据安装位置和工作状态，使用时需定期检查，并且进行必要的紧固。

Safety quarter turn:
This lock is of a vibration proof design. Depending on the installation location and operational conditions, specific checks are necessary and/or supplementary measures of fastening required.

如需获得产品3D模型图，请联系 info@yeekaco.com



开孔尺寸
Panel cutout

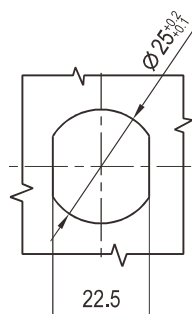
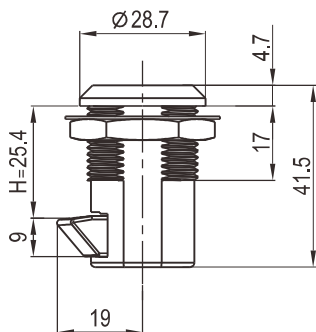
锌合金锁壳、锁芯；Q235锁舌。
Zinc die casting housing and insert, m.s. zinc plated cam.

	锌合金 Zinc die casting
锁芯类型 Cylinder Style	亮铬 Bright Chrome
三角 8 Triangular 8mm	1448-038-30

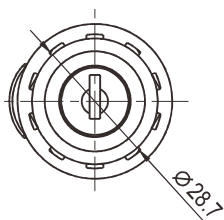
按压式门锁 Push to close Latch

产品系列: 1430

yeeka

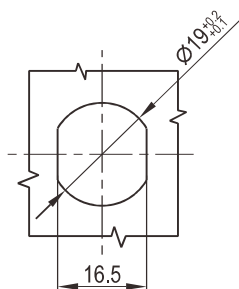
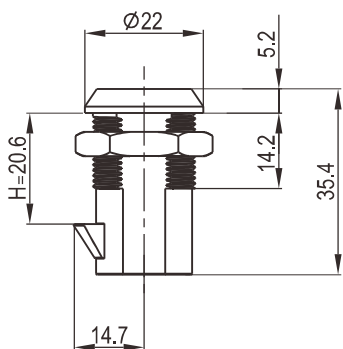


开孔尺寸
Panel cutout

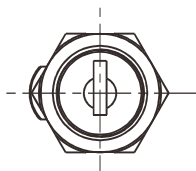


锌合金
Zinc die, bright chrome

亮铬 Bright Chrome	1430-01-30
------------------	------------



开孔尺寸
Panel cutout



锌合金
Zinc die, bright chrome

亮铬 Bright Chrome	1430-02-30
------------------	------------

RL IP40



备注: Remark
默认CH751 钥匙, Keyed CH751 key

目录
Index

锁具
Lock

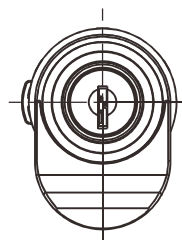
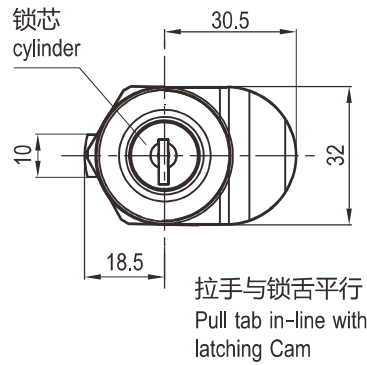
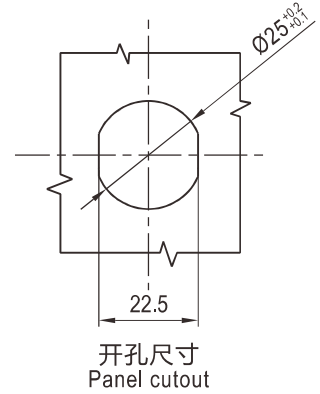
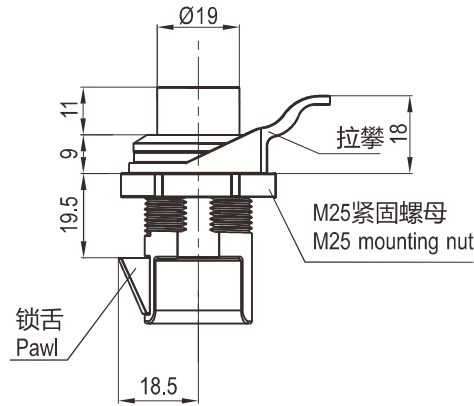
To get product 3D models freely, Please contact info@yeekaco.com

1D-033

RL IP40

目录
Index

锁具
Locks



拉手与锁舌垂直
Pull tab perpendicular to latching Cam

黑色尼龙 ABS black

	带锁芯 Key Locking	不带锁芯 Non-locking
不带取手 Latch only	1431-10-NP	1431-00-NP
拉手与锁舌平行 Pull tab in-line with latching Cam	1431-10	1431-00
拉手与锁舌垂直 Pull tab perpendicular to latching Cam	1431-10-V	1431-00-V

默认CH751 钥匙, Keyed CH751 key

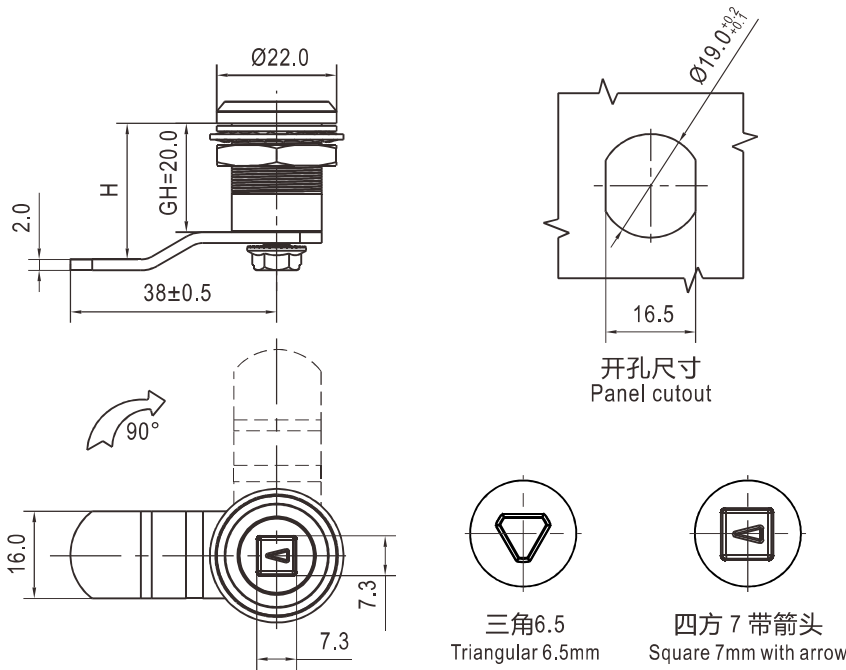
如需获得产品3D模型图, 请联系 info@yeekaco.com

直角转舌锁 Quarter Turn Lock

产品系列: 1432、1435

yeeka

RL IP40



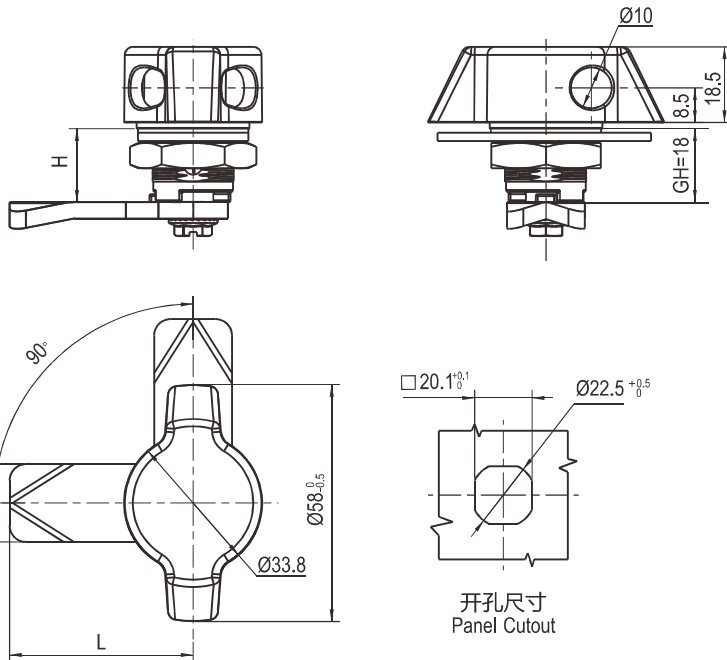
锁壳类型 Cylinder Style	锁壳GH=20 锌合金 Zinc die housing; GH=20
	镀镍 Nickel Plated
四方 7 带箭头 Square 7mm with arrow	1432-047-80
三角 6.5 Triangular 6.5mm	1432-036-80

备注: 内装弹簧, O 型圈, 带防震功能。
linnerspring, O-ring, with anti-vibration function.



目录
Index

锁具
Lock



锌合金锁壳、手柄; 喷塑亚光黑或电镀亮铬。镀锌锁舌。
Zinc die handle and housing black powder coated or bright chrome; zinc plated cam

麻面黑 Black textured powder coated	亮铬 Bright chrome
1435-110-20	1435-110-30

RL IP65

NEW



Accessories ref. page#
1. 9A.001
Cam ref. to page 9A.001

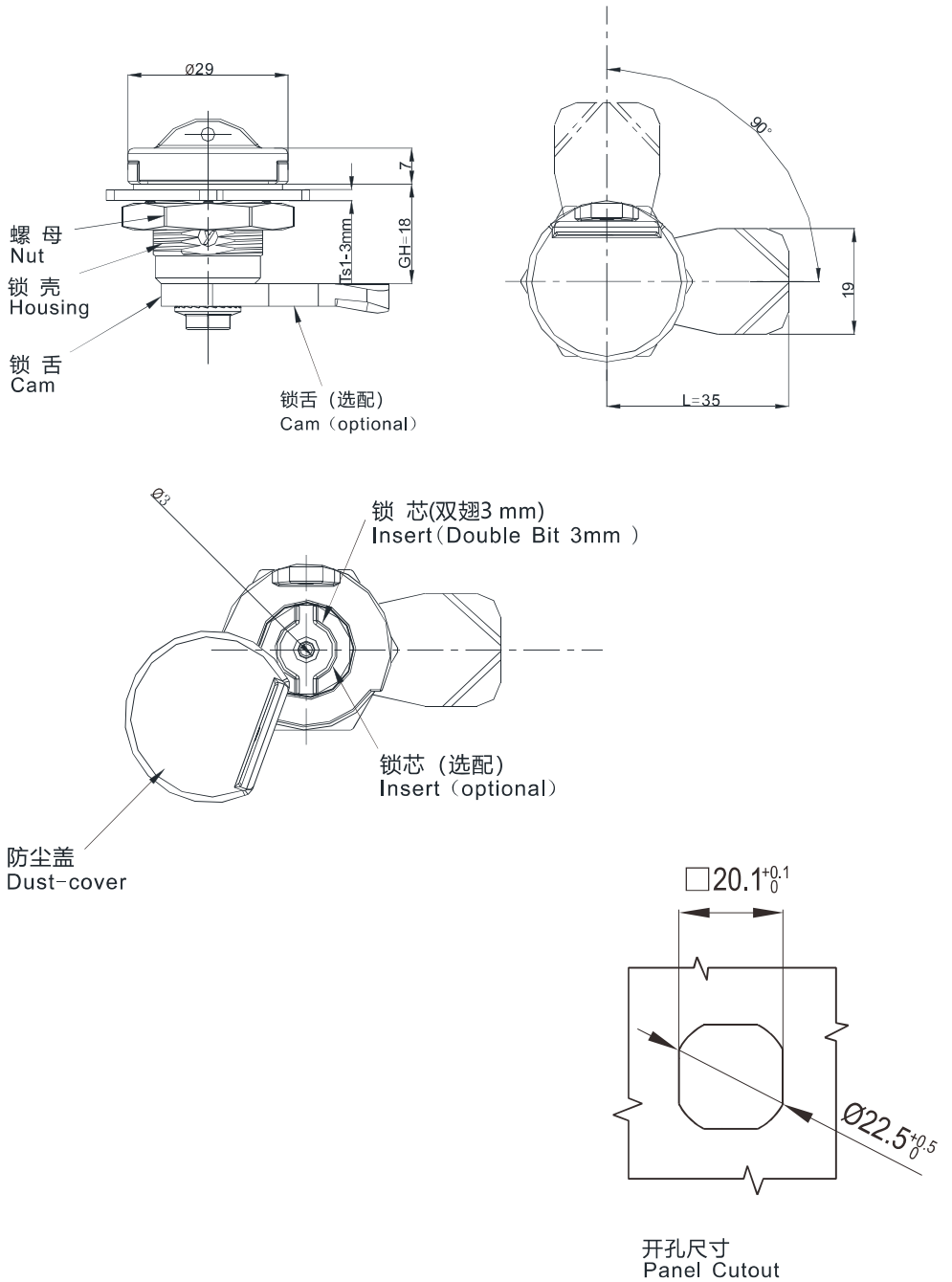
To get product 3D models freely, Please contact info@yeekaco.com

1D-035

NEW

目录
Index

锁具
Locks



锌合金锁壳、锁芯；喷塑亚光黑或喷砂镀铬，镀锌锁舌

Zinc die housing and cylinder ;
black textured powder coated or Textured chrome plated m.s.zinc plated cam

锁芯类型 Insert type	麻面黑 Black Textured Powder Coated	喷砂镀铬 Textured chrome plated
双翅3mm Double Bit 3mm	1434-013-20	1434-013-79
双翅4mm Double Bit 4mm	1434-014-20	1434-014-79
双翅5mm Double Bit 5mm	1434-015-20	1434-015-79
2×4直槽型2×4 Slot	1434-024-20	1434-024-79
三角7mm Triangular 7mm	1434-037-20	1434-037-79
三角8mm Triangular 8mm	1434-038-20	1434-038-79
四方7mm Square 7mm	1434-047-20	1434-047-79
四方8mm Square 8mm	1434-048-20	1434-048-79

压缩式门锁, 方型锁头, 大型, 可调间距

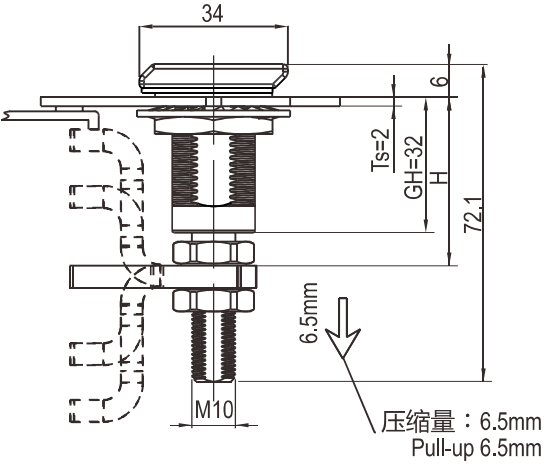
Compression latch, Square face, Large version, adjustable grip range

产品系列: 1436

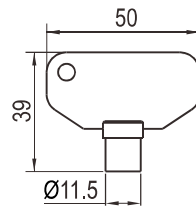
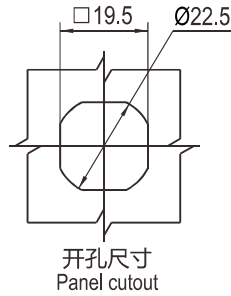
yeeka

目录
Index

锁具
Lock

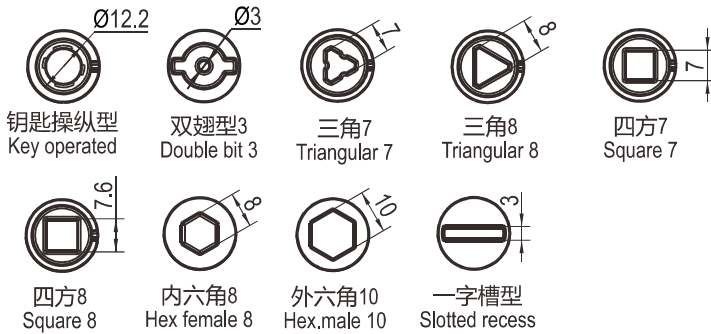
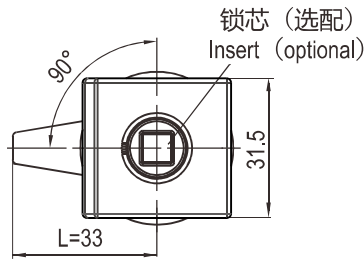


选配件, 需单独订购
Optional components, need to be ordered separately.



钥匙操纵型锁芯专用钥匙
For key operated

产品编号 (part#): 9200-1422-80



RL IP65



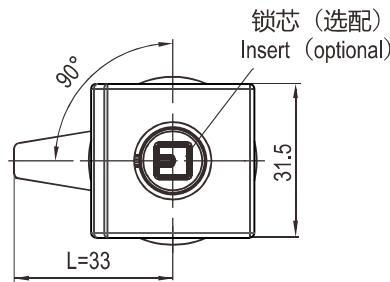
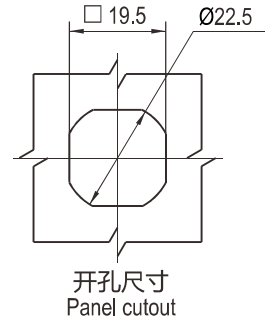
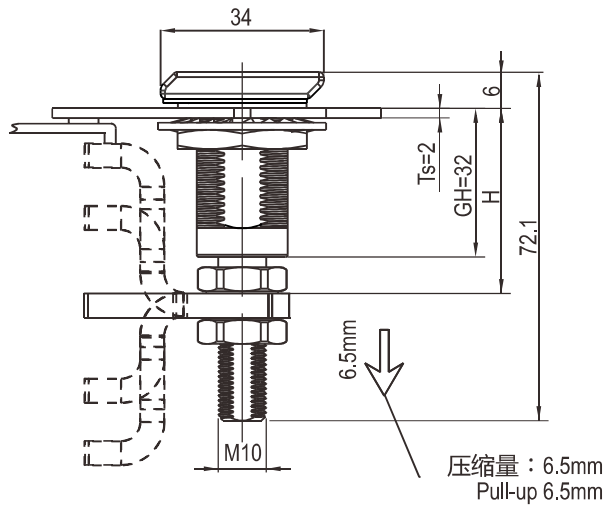
锌合金锁壳、锁芯; 喷塑亚光黑或电镀亮铬, 镀锌锁舌和转轴。
Zinc die housing, cylinder; black powder coated or bright chrome, m.s. zinc plated cam and shaft.

轴类型 Shaft style		间距 Grip Range		锁芯类型 Cylinder Style								
		最小 Min	最大 Max	钥匙操纵型 Key Operated	双翅3 Double Bit 3mm	三角7 Triangular 7mm	三角8 Triangular 8mm	四方7 Square 7mm	四方8 Square 8mm	一字槽型 Slotted recess	内六角8 Hexagon female 8mm	外六角10 Hexagon male 10mm
长轴 Long Shaft	正向 Reversed Cam	11.4	27.2	1436-20-L1510	1436-013-L1510	1436-037-L1510	1436-038-L1510	1436-047-L1510	1436-048-L1510	1436-05-L1510	1436-068-L1510	1436-060-L1510
		25.4	41.1	1436-20-L2510	1436-013-L2510	1436-037-L2510	1436-038-L2510	1436-047-L2510	1436-048-L2510	1436-05-L2510	1436-068-L2510	1436-060-L2510
	直立 Straight Cam	38.9	54.6	1436-20-L3510	1436-013-L3510	1436-037-L3510	1436-038-L3510	1436-047-L3510	1436-048-L3510	1436-05-L3510	1436-068-L3510	1436-060-L3510
	反向 Offset Cam	52.6	68.3	1436-20-L2510	1436-013-L2510	1436-037-L2510	1436-038-L2510	1436-047-L2510	1436-048-L2510	1436-05-L2510	1436-068-L2510	1436-060-L2510
		66.3	76.2	1436-20-L1510	1436-013-L1510	1436-037-L1510	1436-038-L1510	1436-047-L1510	1436-048-L1510	1436-05-L1510	1436-068-L1510	1436-060-L1510

To get product 3D models freely, Please contact info@yeekaco.com

1D-037

RL IP65



三角锁芯 7mm
Triangular 7mm



三角锁芯 8mm
Triangular 8mm



四方锁芯 7mm
Square 7mm



四方锁芯 8mm
Square 8mm

锌合金锁壳、锁芯; 喷塑亚光黑或电镀亮铬, 镀锌锁舌和转轴。

Zinc die housing, cylinder; black powder coated or bright chrome, .m.s. zinc plated cam and shaft.

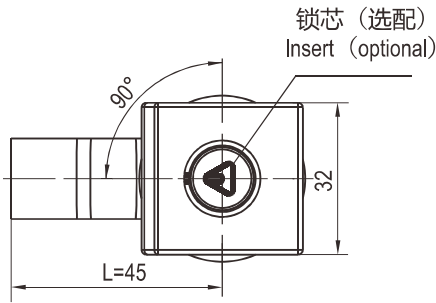
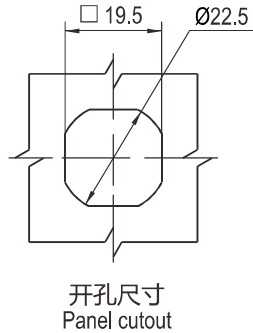
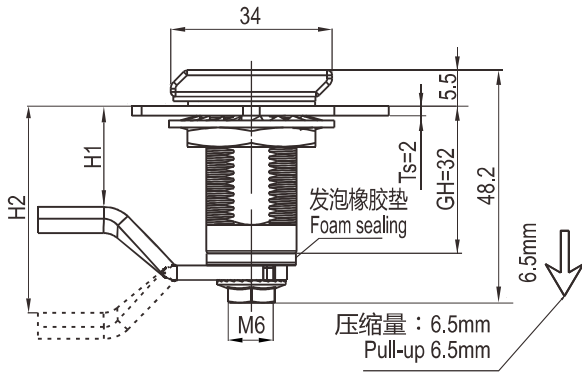
如需获得产品3D模型图, 请联系 info@yeekaco.com

轴类型 Shaft style	锁舌款式 BH Cam Style BH	间距 Grip Range		锁芯类型 Cylinder Style			
		最小 Min	最大 Max	三角 7 Triangular 7mm	三角 8 Triangular 8mm	四方 7 Square 7mm	四方 8 Square 8mm
长轴 Long Shaft	正向 Reversed Cam	11.4	27.2	1436-0371-L1510	1436-0381-L1510	1436-0471-L1510	1436-0481-L1510
		25.4	41.1	1436-0371-L2510	1436-0381-L2510	1436-0471-L2510	1436-0481-L2510
	直立 Straight Cam	38.9	54.6	1436-0371-L3510	1436-0381-L3510	1436-0471-L3510	1436-0481-L3510
	反向 Offset Cam	52.6	68.3	1436-0371-L2510	1436-0381-L2510	1436-0471-L2510	1436-0481-L2510
		66.3	76.2	1436-0371-L1510	1436-0381-L1510	1436-0471-L1510	1436-0481-L1510

压缩式门锁, 方型锁头, 大型, 固定间距, 锁芯外不带圆圈
 Compression latch, Square face, Large version, Fixed grip range, insert without circle
 产品系列: 1436

yeeka

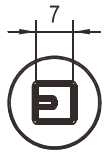
RL IP65



三角锁芯 7mm
Triangular 7mm



三角锁芯 8mm
Triangular 8mm



四方锁芯 7mm
Square 7mm



四方锁芯 8mm
Square 8mm

锌合金锁壳、锁芯; 喷塑亚光黑或电镀亮铬, 镀锌锁舌和转轴。
 Zinc die housing cylinder; black powder coated or bright chrome, m.s. zinc plated cam and shaft.

轴类型 Shaft style	锁芯类型 Cylinder Style	
短轴 Short shaft	三角7 Triangular 7mm	1436-0371-S10
	三角8 Triangular 8mm	1436-0381-S10
	四方7 Square 7mm	1436-0471-S10
	四方8 Square 8mm	1436-0481-S10

可选配件: Accessories ref. page#
 1. 锁舌 见页面 9A-003
 Cam ref. to page 9A-003

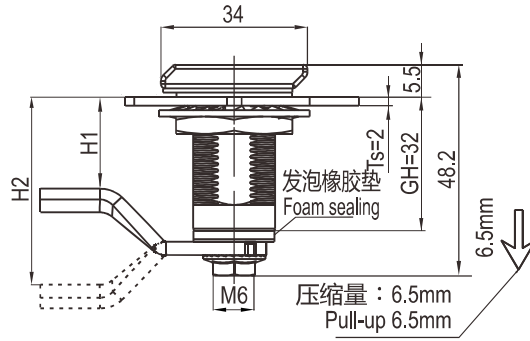
目录
Index

锁具
Lock

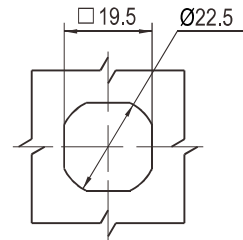
To get product 3D models freely, Please contact info@yeekaco.com

1D-039

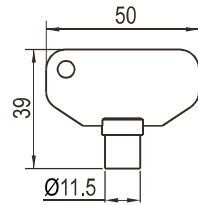
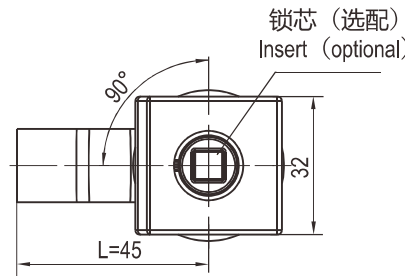
IP65



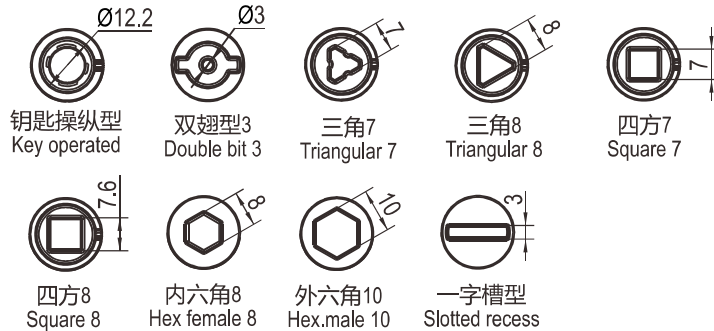
选配件, 需单独订购
Optional components, need to be ordered separately.



开孔尺寸
Panel cutout



钥匙操纵型锁芯专用钥匙
For key operated
产品编号 (part#) : 9200-1422-80



锌合金锁壳、锁芯; 喷塑亚光黑或电镀亮铬, 镀锌锁舌和转轴。
Zinc die housing cylinder; black powder coated or bright chrome ,m.s. zinc plated cam and shaft.

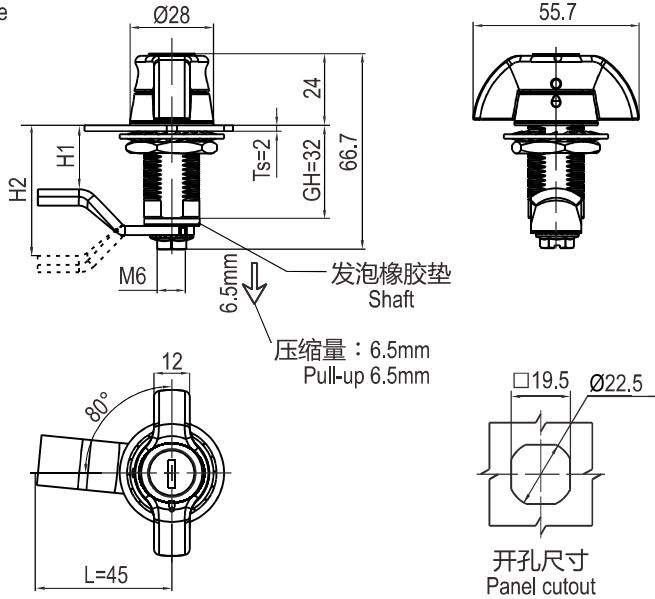
轴类型 Shaft style	锁芯类型 Cylinder Style	
短轴 Short shaft	钥匙操纵型 Key operated	1436-20-S10
	双翅 Double bit 3mm	1436-013-S10
	三角7 Triangular 7mm	1436-037-S10
	三角8 Triangular 8mm	1436-038-S10
	四方7 Square 7mm	1436-047-S10
	四方8 Square 8mm	1436-048-S10
	一字槽型 Slotted recess	1436-05-S10
	内六角8 Hex female 8mm	1436-068-S10
	外六角10 Hex.male 10mm	1436-060-S10

翼型手柄压缩式门锁, 大型 Wingknob compression latch, large version

产品系列: 1437

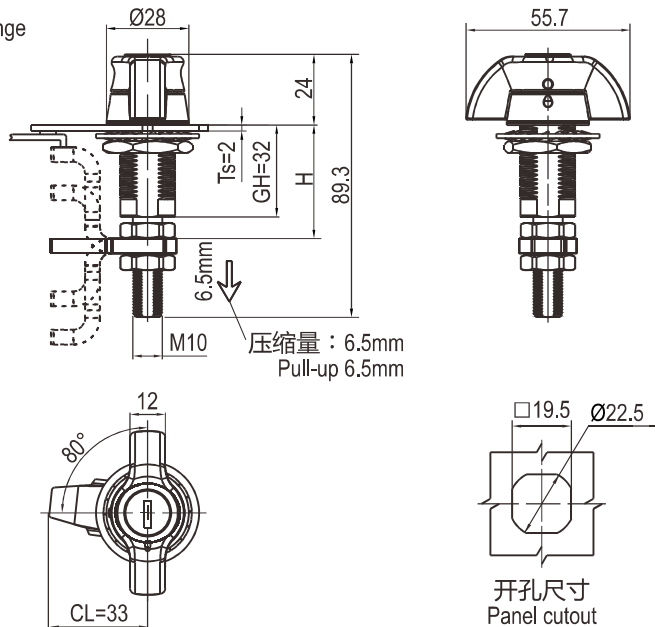


固定间距
Fixed grip range



短轴 Short shaft	锁头类型 Head Style	
	带锁芯 Key Locking	不带锁芯 Non-locking
	1437-110-S20	1437-100-S20

可调间距
Adjustable grip range



锌合金锁壳、锁芯; 喷塑亚光黑或电镀亮铬, 镀锌锁舌和转轴。
Zinc die housing cylinder; black powder coated or bright chrome ,m.s. zinc plated cam and shaft.

轴类型 Shaft style	锁舌款式 BH Cam Style BH	间距 Grip Range		锁头类型 Head Style	
		最小 Min	最大 Max	带锁芯 Key Locking	不带锁芯 Non-locking
长轴 Long Shaft	正向 Reversed Cam	11.4	27.2	1437-110-L1520	1437-100-L1520
		25.4	41.1	1437-110-L2520	1437-100-L2520
	直立 Straight Cam	38.9	54.6	1437-110-L3520	1437-100-L3520
		52.6	68.3	1437-110-L2520	1437-100-L2520
反向 Offset Cam	66.3	76.2	1437-110-L1520	1437-100-L1520	

RL IP65



默认CH751 钥匙. Keyed CH751 key

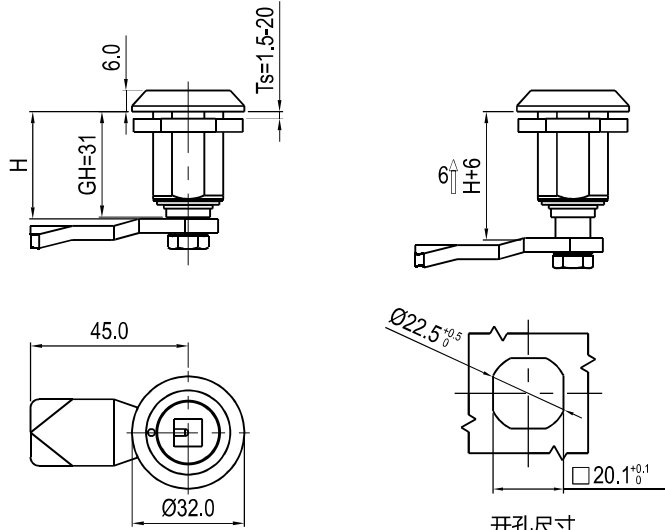
目录
Index

锁具
Lock

To get product 3D models freely, Please contact info@yeekaco.com

1D-041

RL IP65 STAINLESS SERIES



开孔尺寸
Panel Cutout



四方8带点槽

Square 8mm with marking



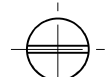
双翅3

Double Bit 3mm



双翅5

Double Bit 5mm

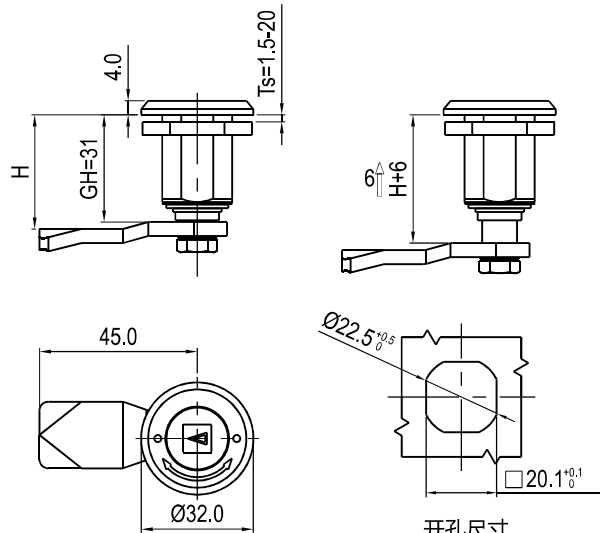


直槽2X4

2X4 Slot

316不锈钢压紧锁，带弹簧密封圈
Compression latch SUS 316, with spring and seal

锁芯类型 Cylinder Style	不锈钢 316 SUS 316
四方8带点槽 Square 8mm with marking	1438-048-316
直槽2X4 2X4 Slot	1438-024-316
双翅3 Double Bit 3mm	1438-013-316
双翅5 Double Bit 5mm	1438-015-316



开孔尺寸
Panel Cutout

带箭头和红、绿双色标识的316不锈钢压紧锁，带弹簧和平垫圈
Compression latch with arrowhead and red-green marking SUS 316, with spring and flat seal

锁芯类型 Cylinder Style	不锈钢 316 SUS 316	
	左装 Left	右装 Right
四方8带点槽 Square 8mm with marking	1438-048S-316L	1438-048S-316R

可选配件: Accessories ref. page#

1. 锁舌 见页面 9A-001

Cam ref. to page 9A-001

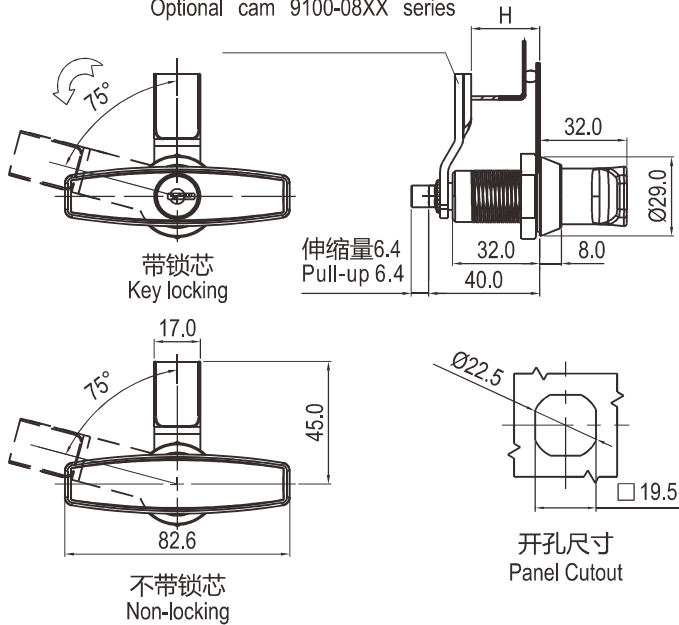
压缩式门锁, 大型 Compression latch, Large version

产品系列: 1439

yeeka

固定间距
Fixed grip range

锁舌选配9100-08XX系列
Optional cam 9100-08XX series



锌合金锁壳、锁芯; 喷塑亚光黑或电镀亮铬, 镀锌锁舌和转轴。
Zinc die housing cylinder; Black powder coated or bright chrome ,M.S. zinc plated cam and shaft.

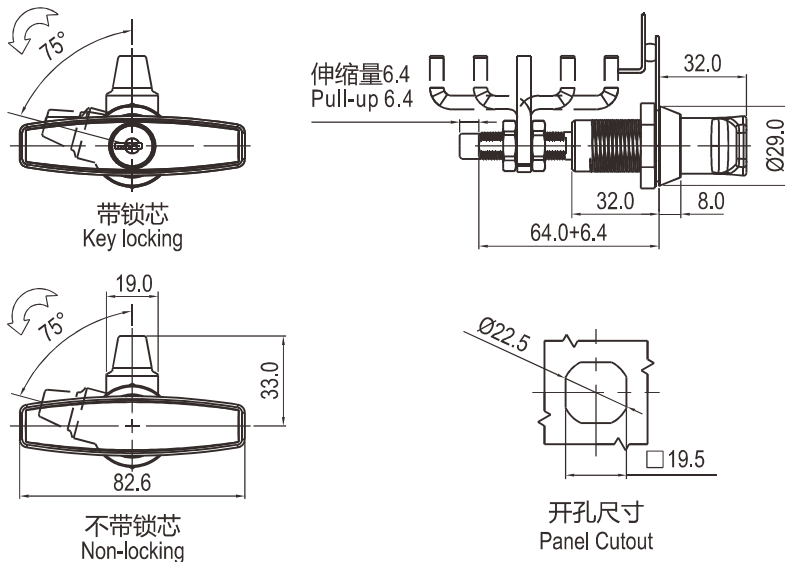
短轴 Short shaft	锁头类型 Head Style	
	带锁芯 Key Locking	不带锁芯 Non-locking
	1439-110-S20	1439-100-S20

RL IP65



备注: Remark
默认CH751 钥匙, Keyed CH751 key

可调间距
Adjustable grip range



锌合金锁壳、锁芯; 喷塑亚光黑或电镀亮铬, 镀锌锁舌和转轴。
Zinc die housing cylinder; black powder coated or bright chrome ,m.s. zinc plated cam and shaft.



轴类型 Shaft style	锁舌款式 BH Cam Style BH	间距 Grip Range		锁头类型 Head Style	
		最小 Min	最大 Max	带锁芯 Key Locking	不带锁芯 Non-locking
长轴 Long Shaft	正向 Reversed Cam	11.4	27.2	1439-110-L1520	1439-100-L1520
		25.4	41.1	1439-110-L2520	1439-100-L2520
	直立 Straight Cam	38.9	54.6	1439-110-L3520	1439-100-L3520
		52.6	68.3	1439-110-L2520	1439-100-L2520
反向 Offset Cam	66.3	76.2	1439-110-L1520	1439-100-L1520	

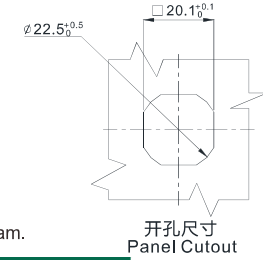
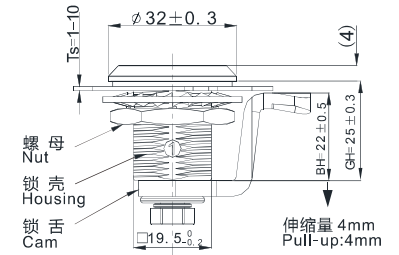
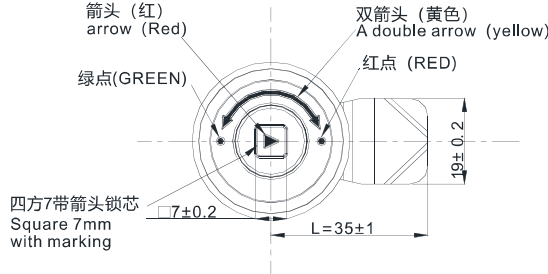
目录
Index

锁具
Lock

To get product 3D models freely, Please contact info@yeekaco.com

1D-043

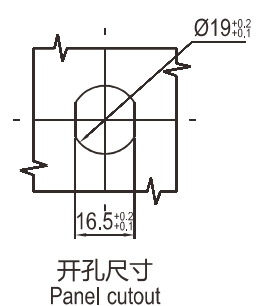
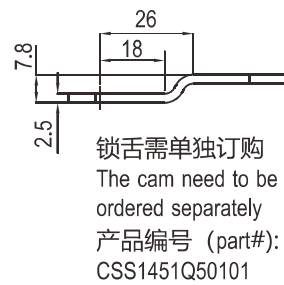
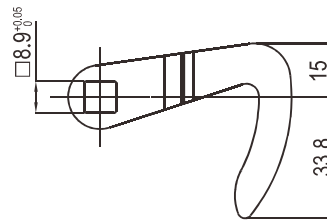
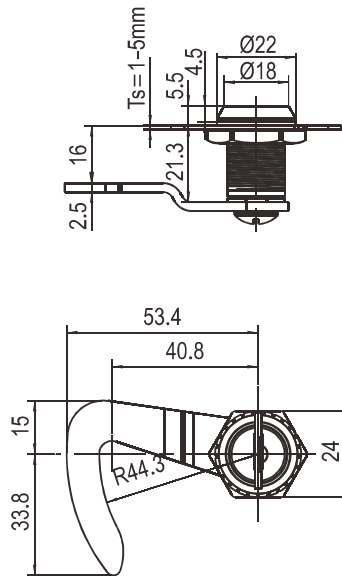
NEW



锌合金锁壳、锁芯; 电镀亮铬, 镀锌锁舌
Zinc die handle and cylinder, bright chrome, m.s. zinc plated cam.

锁芯类型 Insert type	亮铬 Bright Chrome
双翅3mm Double Bit 3mm	1447-013-30
双翅4mm Double Bit 4mm	1447-014-30
双翅5mm Double Bit 5mm	1447-015-30
2×4直槽型2×4 Slot	1447-024-30
三角7mm Triangular 7mm	1447-037-30
三角8mm Triangular 8mm	1447-038-30
四方7mm Square 7mm	1447-047-30
四方8mm Square 8mm	1447-048-30

RL IP65



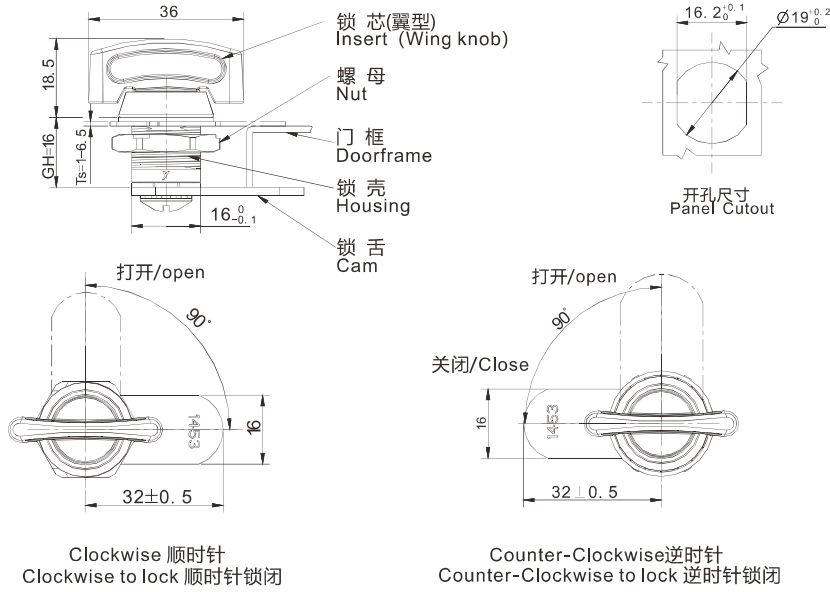
锌合金锁体, 喷塑或电镀亮铬, 镀锌钢锁舌
Zinc die black powder coated or bright chrome zinc plated cam.

亮铬 Bright Chrome	1451-220-30
麻面黑 Black Textured Powder Coated	1451-220-10

直角转舌锁 Quarter Turn Lock

产品系列: 1453、1462

yeeka



锌合金锁壳、锁芯；喷塑亚光黑，锌合金螺母，镀锌锁舌
Zinc die housing and insert; Black smooth powder coated, m.s. zinc plated cam.

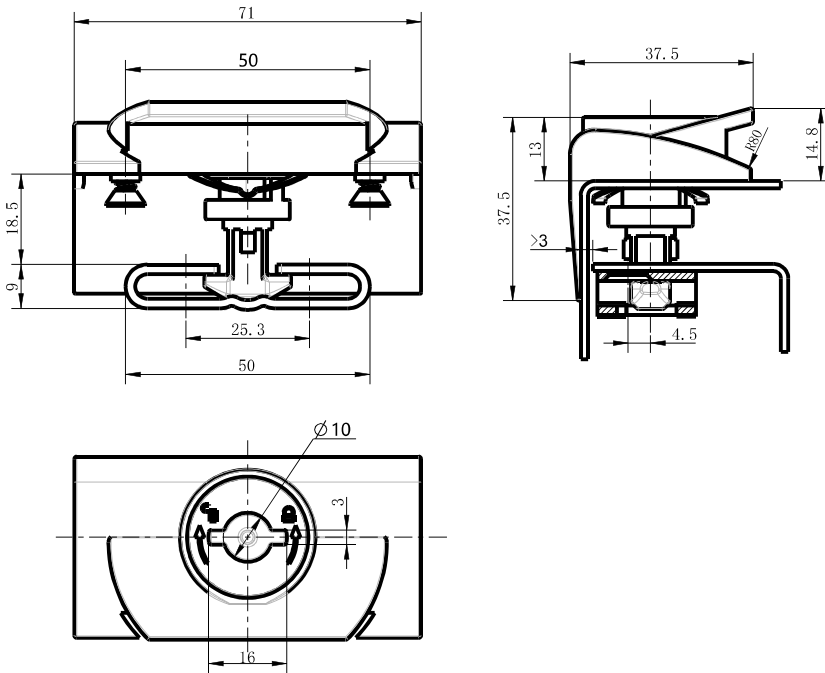
Clockwise 顺时针 Clockwise to lock 顺时针锁闭	Counter-Clockwise 逆时针 Counter-Clockwise to lock 逆时针锁闭
1453-16170-10	1453-16170-10N

NEW



目录
Index

锁具
Lock



PA塑料锁体, 锌合金锁芯, 镀锌钢固定件.
PA lock body, zinc die insert, M.S. zinc plated mounting parts

灰色 Gray	1462-013-92
---------	-------------



备注: Remark
配套铰链 2328-01-25
Related hinge 2328-01-25

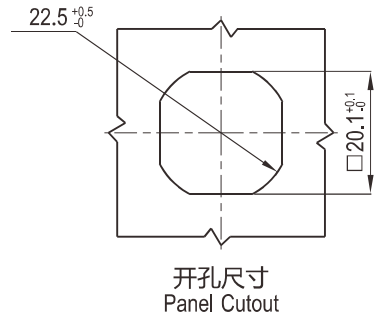
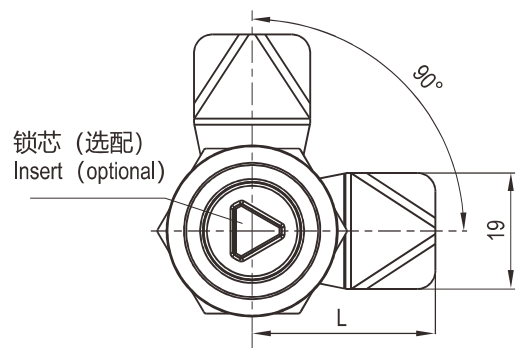
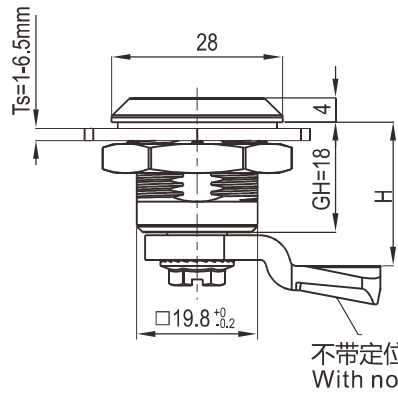
To get product 3D models freely, Please contact info@yeekaco.com

1D-045

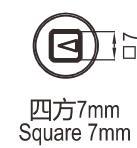
RL IP65 NEW

目录
Index

锁具
Locks



锁芯 (选配)
Insert (optional)



锌合金锁壳、手柄; 喷塑亚光黑或电镀亮铬, 镀锌锁舌。
Zinc die handle and housing black powder coated or bright chrome; zinc plated cam.

锁芯类型 Insert type	亮铬 Bright Chrome	麻面黑 Black Textured Powder Coated
双翅4mm Double Bit 4mm	1465-014-30	1465-014-20
2.4直槽型 2.4 Slot	1465-024-30	1465-024-20
三角7mm Triangular 7mm	1465-037-30	1465-037-20
三角8mm Triangular 8mm	1465-038-30	1465-038-20
四方7mm Square 7mm	1465-047-30	1465-047-20
四方8mm Square 8mm	1465-048-30	1465-048-20

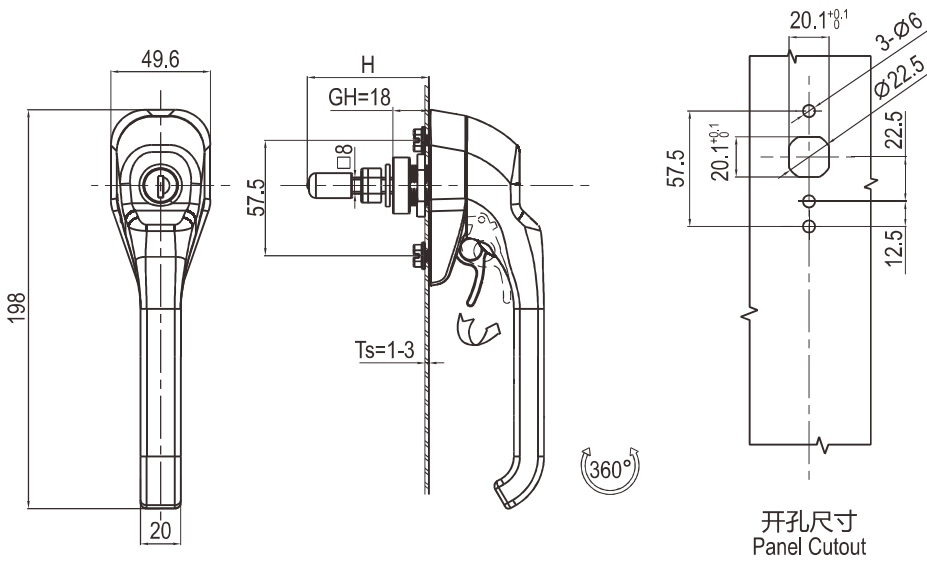
可选配件 Accessories ref. to page #
1. 锁舌 见页面 9A-001
CAM ref. to page 9A-001
2. 配不带定位点锁舌

如需获得产品3D模型图, 请联系 info@yeekaco.com

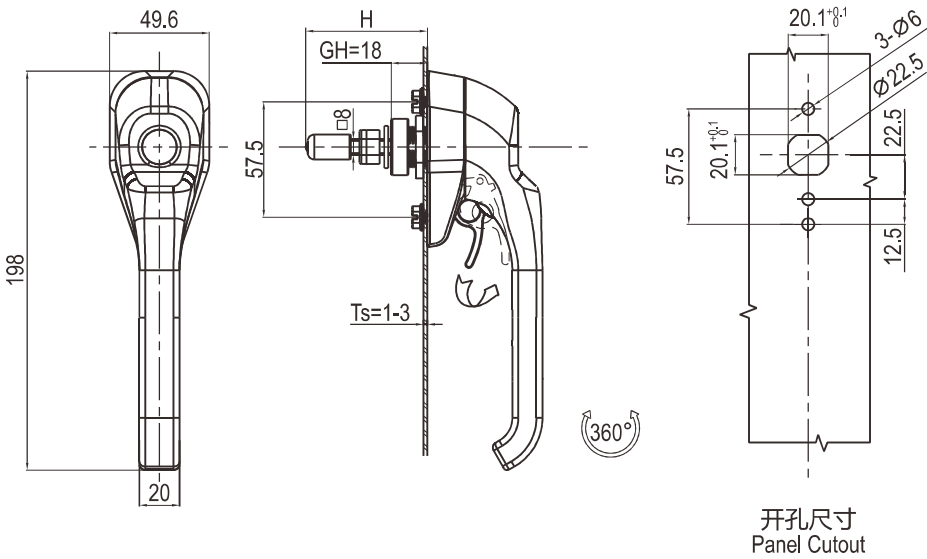
重型转动把手锁

Heavy duty swinghandle Lock

产品系列: 1601



开孔尺寸
Panel Cutout



开孔尺寸
Panel Cutout

锌合金锁体, 喷塑麻面黑
Zinc die, black textured powder coated

	麻面黑 Black Textured Powder Coated	不锈钢 316 SUS 316
YK333钥匙型 YK333 key locking	1601-110-20	1601-110-316
不带锁芯型 Non-locking	1601-100-20	1601-100-316
2X4直槽型 2X4 slot	1601-024-20	



可选配件 Accessories ref. to page #

1. 锁舌 见页面 9A-001
CAM ref. to page 9A-001

备注: Remark

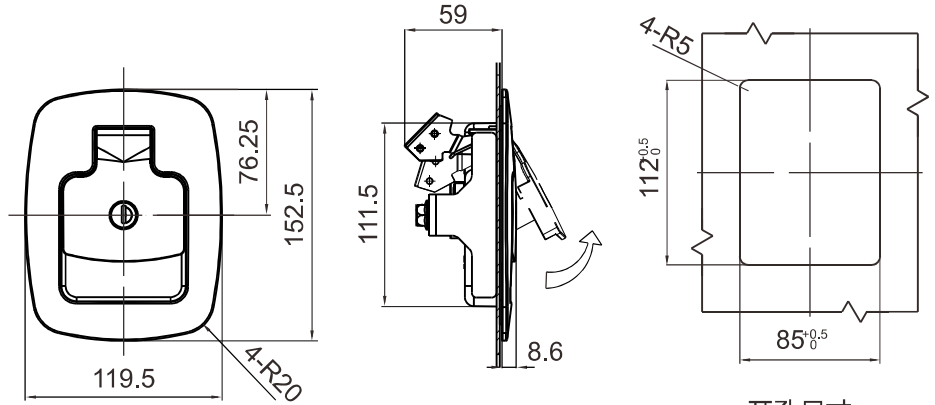
1. 专用钥匙可选 Key different on request.
2. CH751 钥匙可选, CH751 key code on request
3. 可配挂锁 Padlockable on request
4. 默认YK333 钥匙 Keyed YK333

目录
Index

锁具
Lock

To get product 3D models freely, Please contact info@yeekaco.com

1E-001

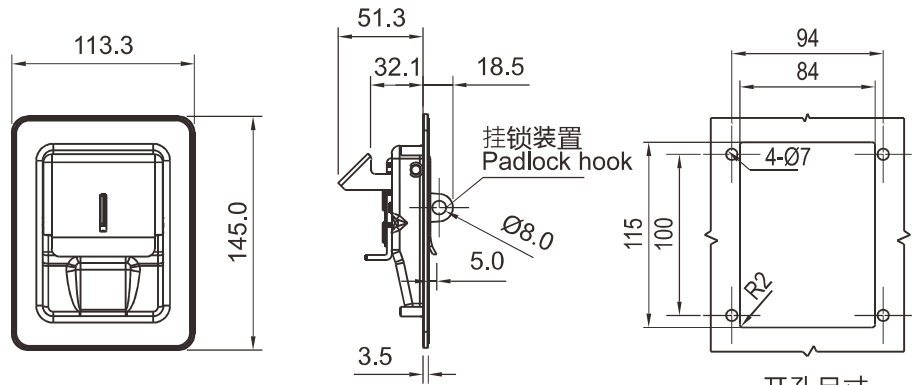


开孔尺寸
Panel Cutout

黑色塑料PA
Black PA plastic, housing, handel

带锁芯 Key Locking

1701-10-90



开孔尺寸
Panel Cutout

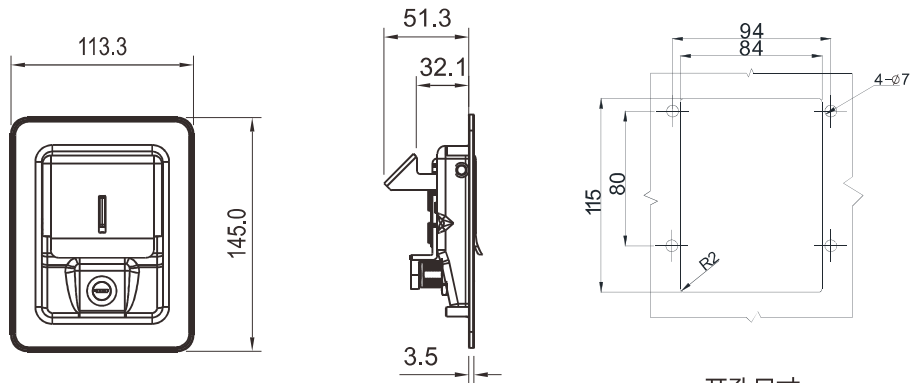
面板, 手柄, 挂锁, 铁, 喷塑亚光黑, 滑动块, 锁舌, 铁镀锌

Paddle housing, handle, padlock hook m.s. black smooth powder coated, slide plate, cam, m.s. zinc plated

带挂 Padlockable

1702-00-10-P

NEW



开孔尺寸
Panel Cutout

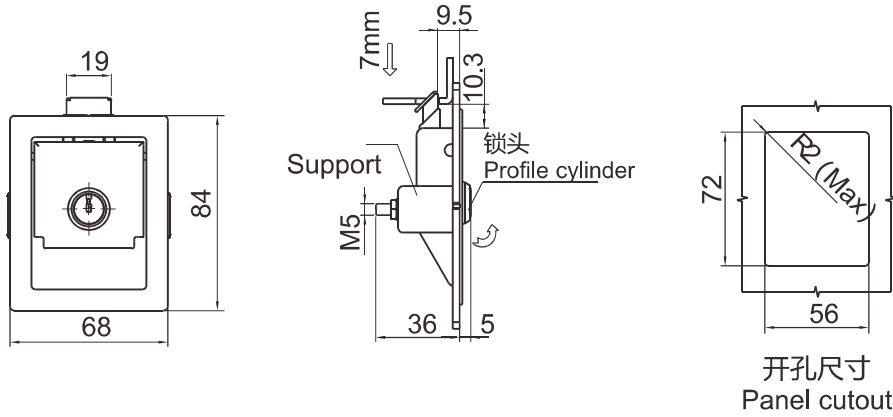
面板、手柄: Q235, 电泳+喷塑亚光黑, 滑动块、锁舌: Q235, 三价彩锌, 铆钉、销子; SUS304, 本色
Paddle housing, Handle: Q235, E-coated Black smooth powder coated, Slide plate, Cam: Q235,
Bule white zinc plated, Rivet stud, Pin; SUS304, natural

1702-10A-10

面板锁 Paddle Latch

产品系列: 1703、1704

yeeka

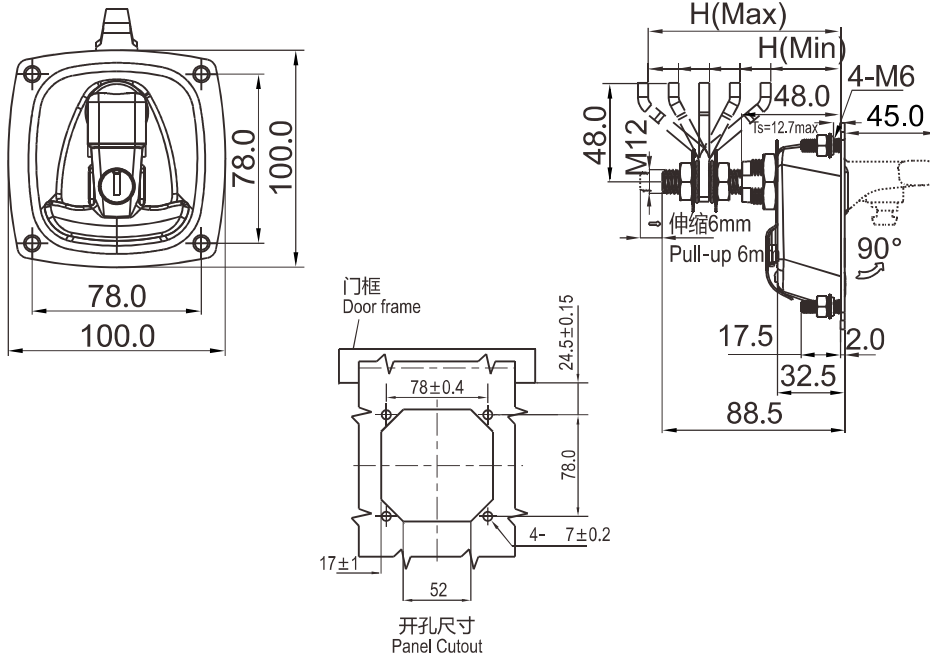


锁壳, 手柄, 压板, 铁喷塑亚光黑或者不锈钢本色
Housing, Handle, support, steel, black powder coated or stainless steel

	喷塑亚光黑 Black powder coated	不锈钢 304 SUS 304
With insert	1703-210-10	
Without insert	1703-200-10	1703-200-304

目录
Index

锁具
Lock



锁壳, 手柄, 压板, 铁喷塑亚光黑或者不锈钢本色
Housing, Handle, support, steel, black powder coated or stainless steel

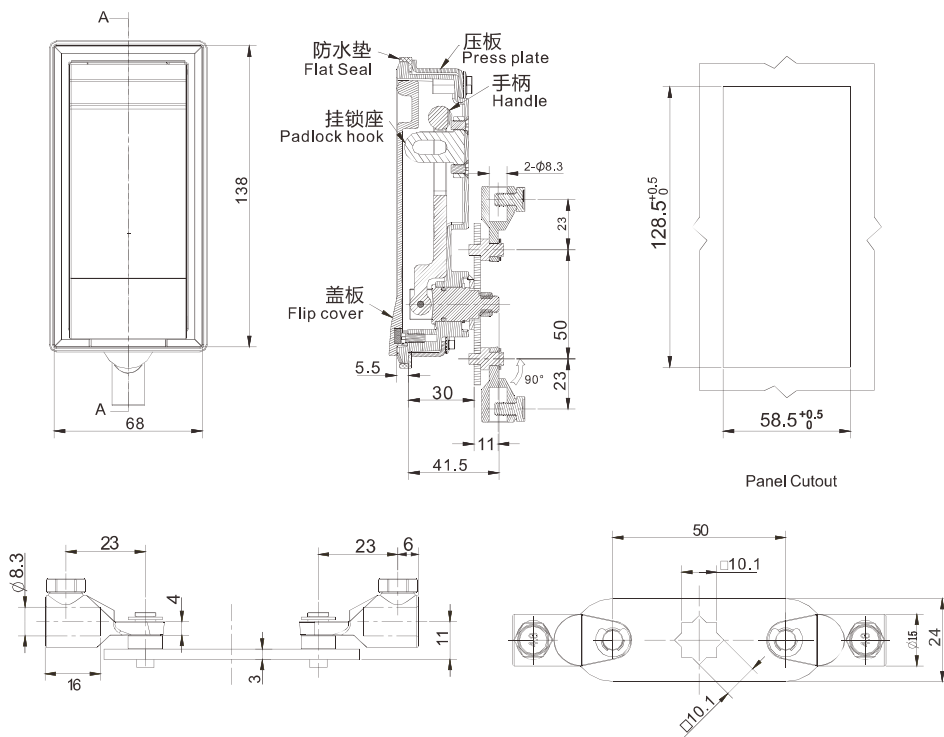
锁片款式 Camstyle	止口高度 Grip Range		带锁芯 Key Locking	不带锁芯 Non-locking
	最小 Min	最大 Max		
正向锁片 Reversed cam	28	43	1704-110-310	1704-100-310
	43	58	1704-110-210	1704-100-210
直立锁片 Straight cam	58	73	1704-110-110	1704-100-110
反向锁片 Offset cam	73	88	1704-110-210	1704-100-210
	88	104	1704-110-310	1704-100-310



To get product 3D models freely, Please contact info@yeekaco.com

1F-002

NEW



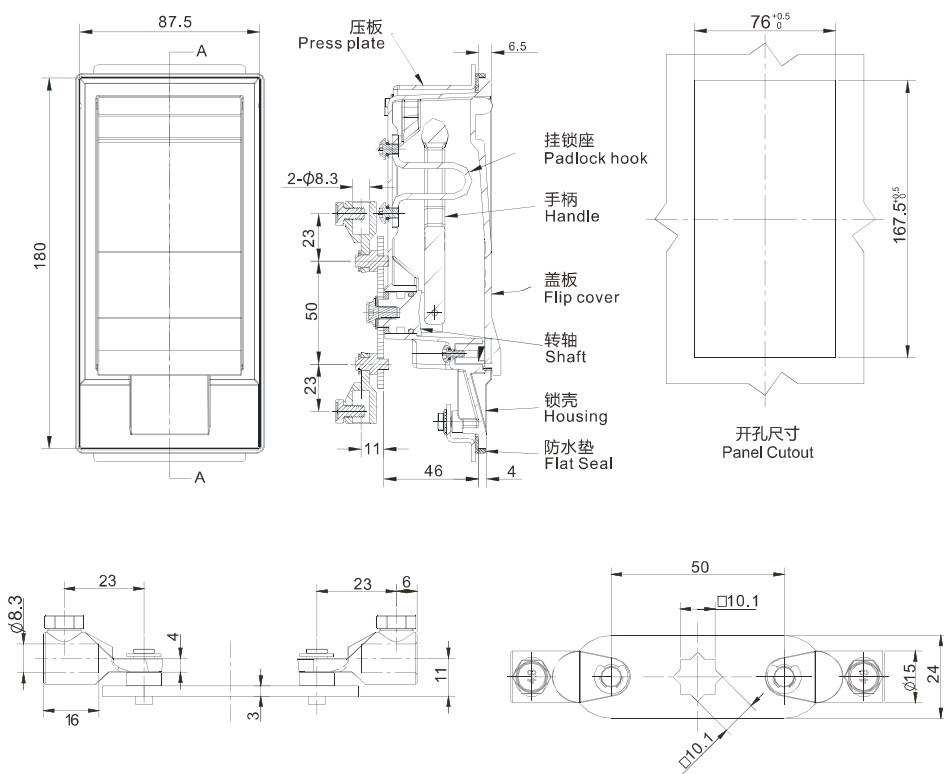
铝合金锁壳、盖板, 手柄, 挂锁座、Q235转轴、压板

Aluminium alloy housing、flip cover,handle、 padlock hook ,Q235 shaft、 press plate

喷塑蓝灰色 Spray blue gray

1705-01-26

NEW



铝合金锁壳、盖板, 锌合金手柄, Q235挂锁座、转轴、压板

Aluminium alloy housing、 flip cover,Zinc alloy handle,Q235 padlock hook 、shaft、 press plate

喷塑蓝灰色 Spray blue gray

1708-01-26

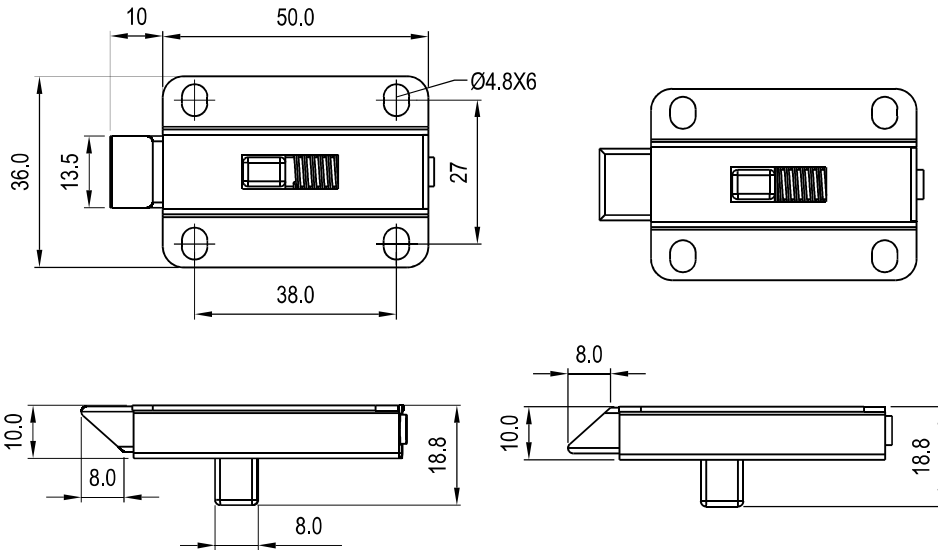
碰锁 Slam-lock

产品系列: 1800

yeeka

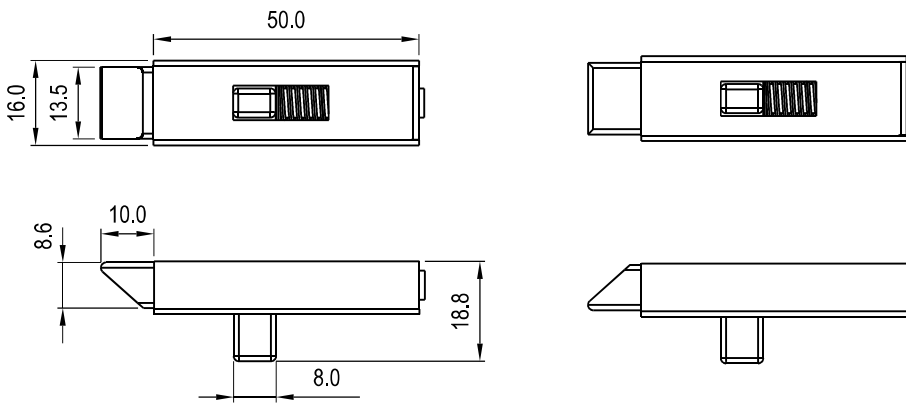
目录
Index

锁具
Lock



螺钉固定011型
Screw on version-011

螺钉固定111型
Screw on version-111



焊接固定012型
Weld on version-012

焊接固定112型
Weld on version-112

镀锌钢或钢碰锁，镀锌锌合金锁舌

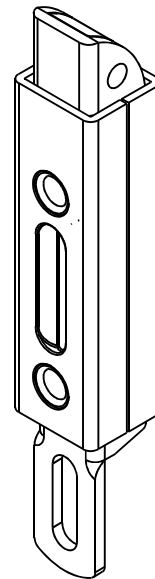
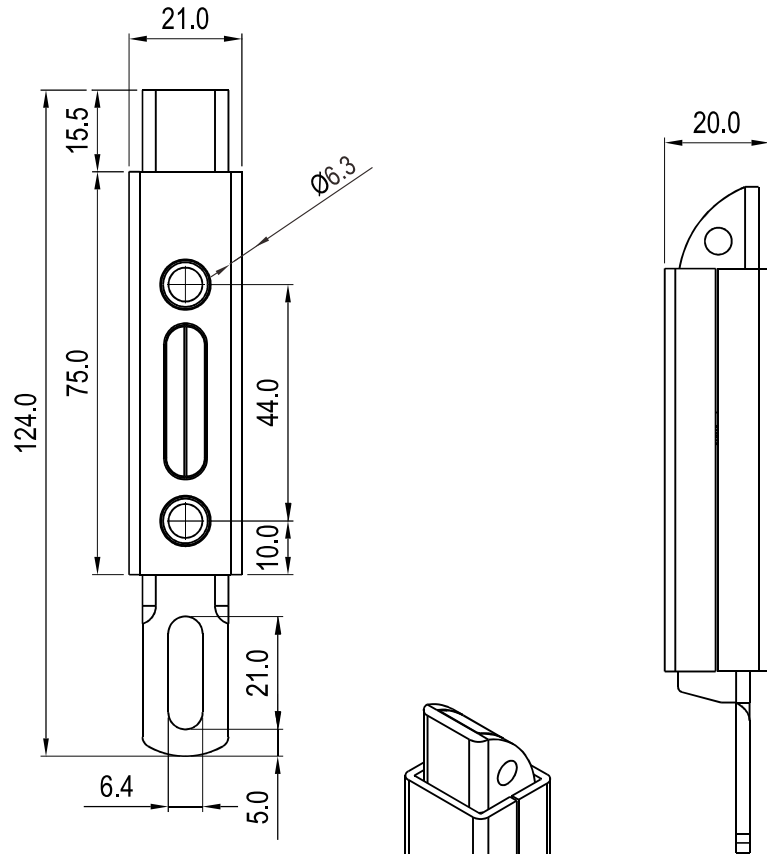
Slam-lock m.s. zinc plated resp.m.s. raw,locking bolt zinc die zinc plated

	锌合金 Zinc Die	
螺丝固定型 Screw on version	1800-011-01	1800-111-01
焊接固定型 Weld on version	1800-012-01	1800-112-01



To get product 3D models freely, Please contact info@yeekaco.com

1G-001



可以按照要求弯曲连杆以便手动操作
Rod connection can be bent for hand-operation on request

镀锌钢碰锁

Slam-lock m.s.zinc plated

铁镀锌 M.S.zinc plated

1801-011-01



产品正在开发中
2020年12月份开始供
Under development,
shall be available on
December, 2020.

按钮式碰锁

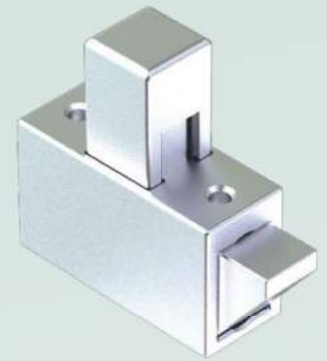
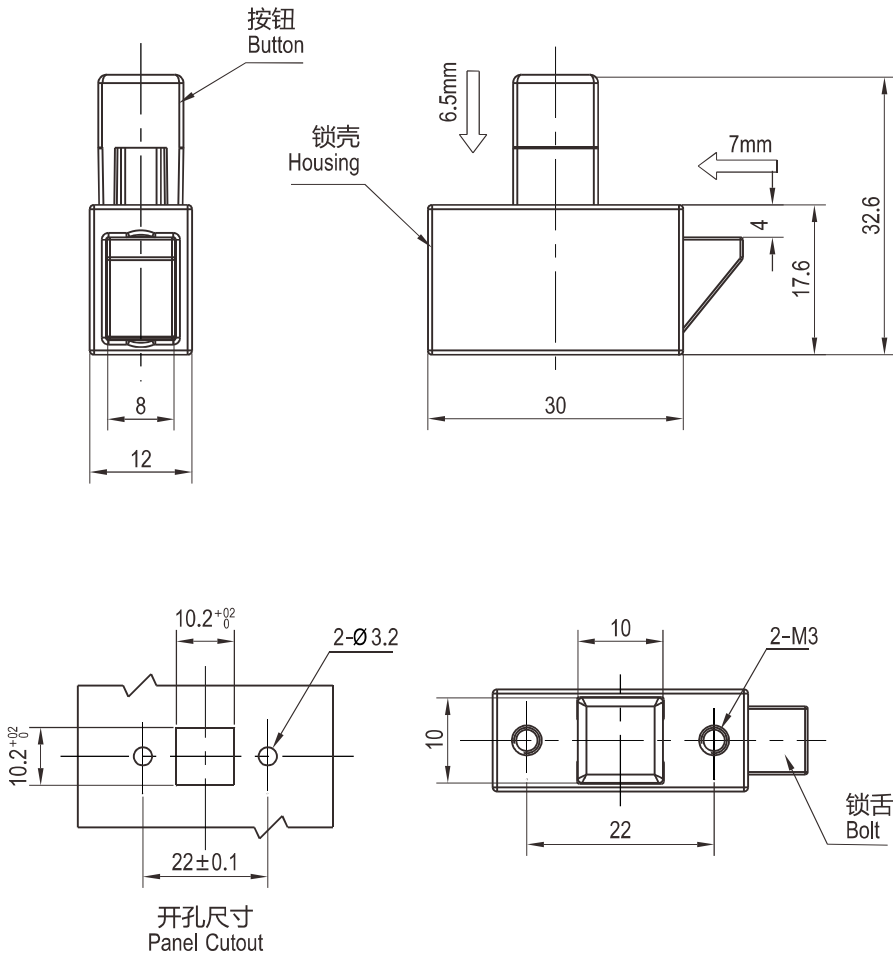
Slam Latch With Pushbutton

产品系列: 1802

yeeka

目录
Index

锁具
Lock



锌合金, 不锈钢弹簧和销子, 表面可做镀镍
Zinc die, SUS spring and pin, nickel plated

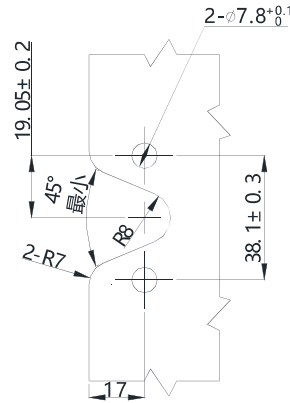
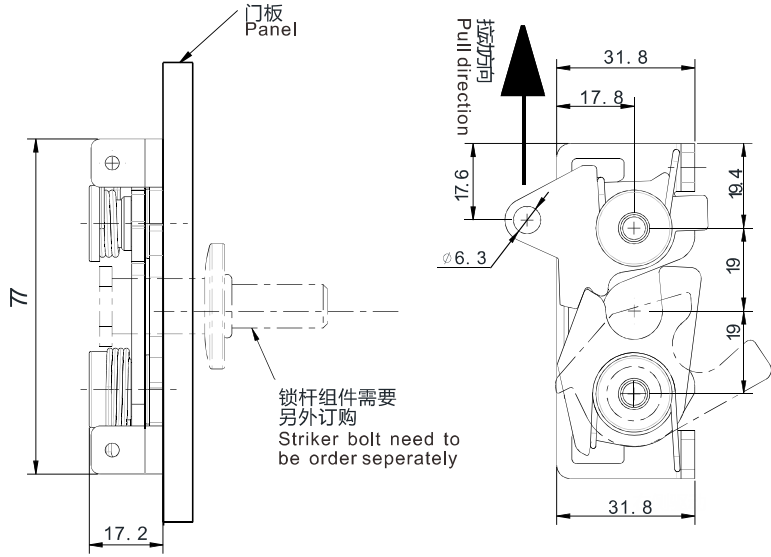
锌合金 Zinc Die

1802-011-80

To get product 3D models freely, Please contact info@yeekaco.com

1G-003

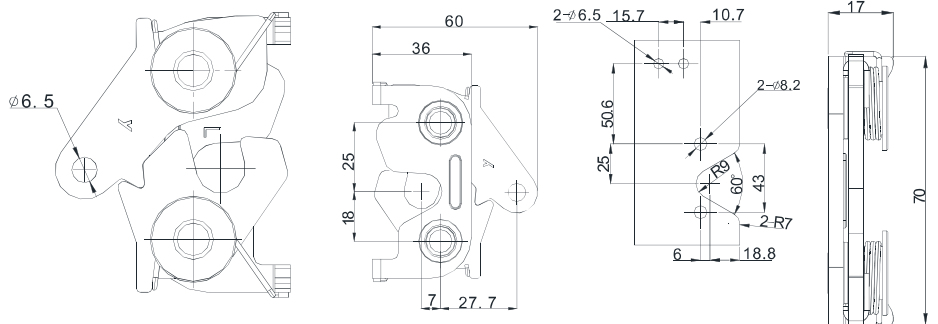
NEW



开孔尺寸
Panel cutout

镀锌钢锁体,大型,单极-底部
M.S.zinc plated body,large size,single stage-bottom

	左侧驱动 Left hand	右侧驱动 Right hand
M6*1螺纹 M6 thread	1803-02-4251-01	1803-02-3251-01



开孔尺寸
Panel cutout

镀锌钢锁体,中型,单极
M.S.zinc plated body,middle size,single stage

	左侧驱动 Left hand
7.2通孔 7.2 thru hole	1803-03-2051-01

目录
Index

锁具
Locks

如需获得产品3D模型图,请联系 info@yeekaco.com

今天已成 趋势

Today, It has been a trend.

明天将成 标准

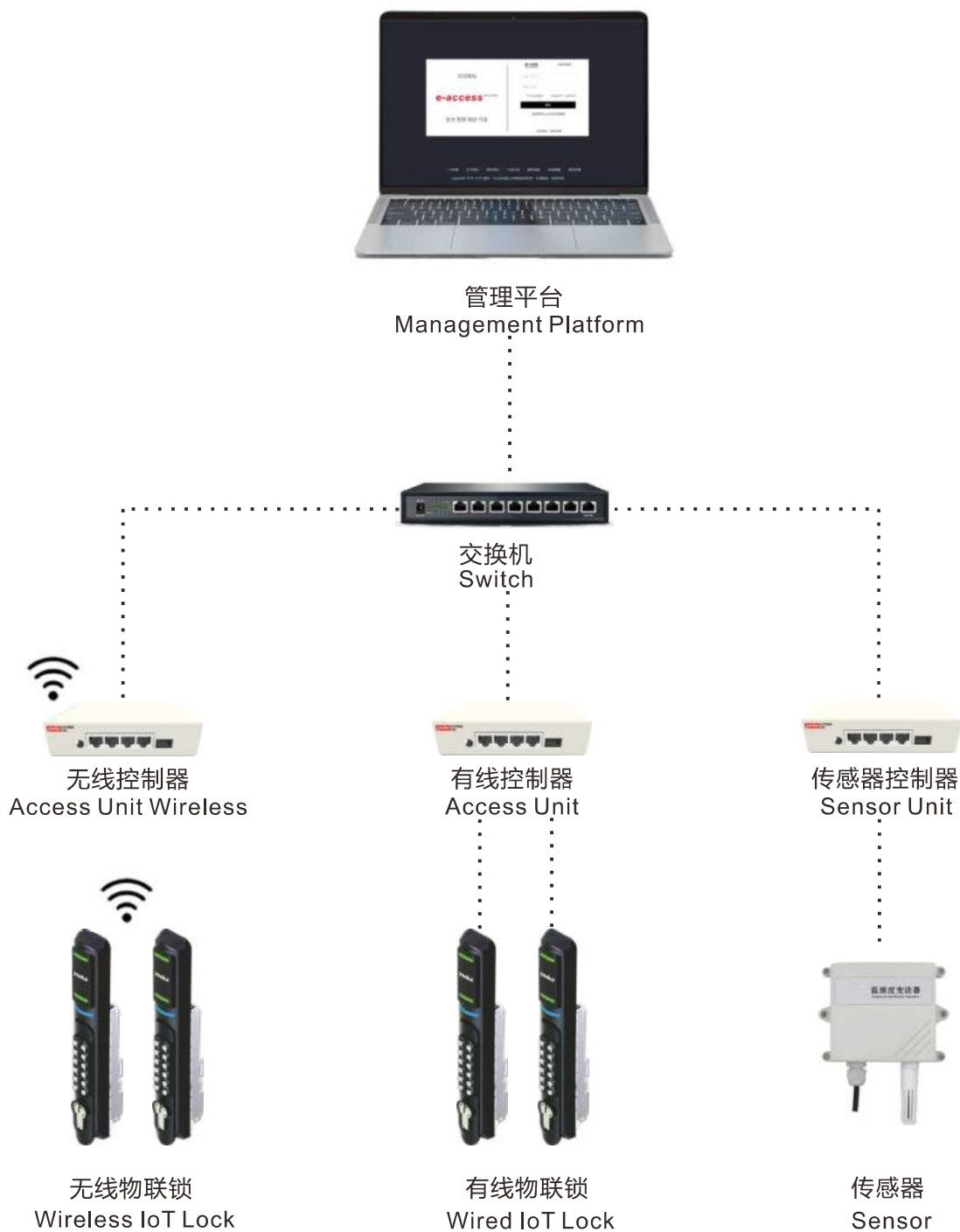
Tomorrow, It will be the standard .



全球行业领先的
工业物联锁
整体解决方案专家
Global leading
industrial IoT lock
solution expert

系统架构图

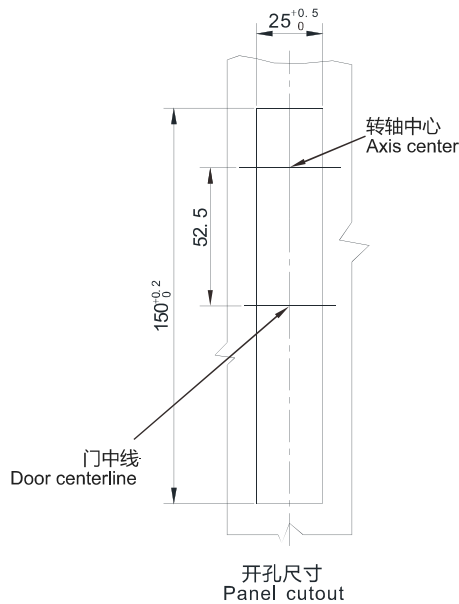
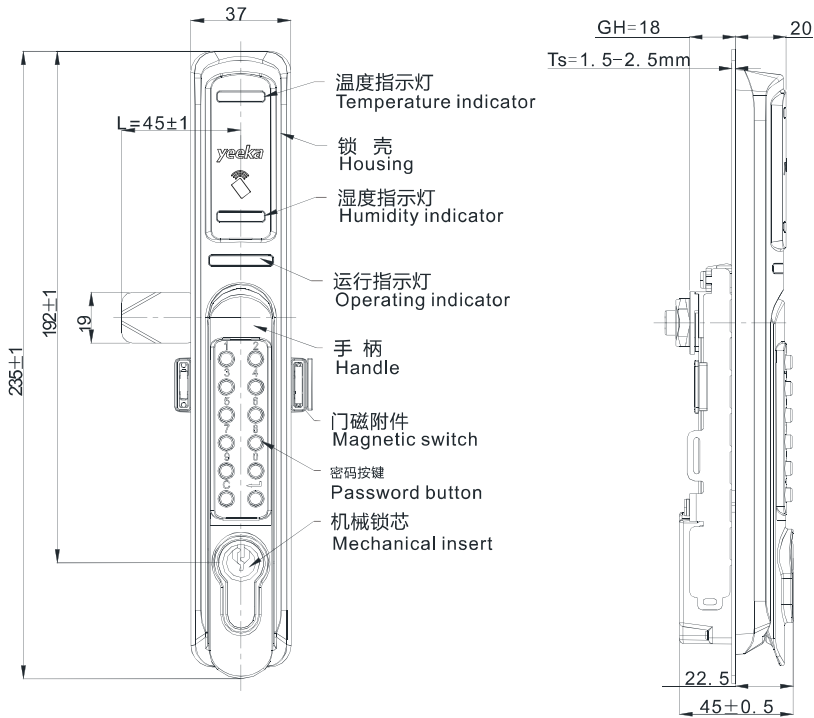
System Architecture



物联锁 IoT Lock

产品系列: 1507

yeeka



IP54

NEW



备注 Note:

- 锁舌需要单独订购, 配不带定位点的锁舌。
The cam needs to be ordered separately, with non-stopper cam.
- 如选购带刷卡型的产品, 卡片需要另外订购。
For IC card version, card needs to be ordered separately.
- 锁具含标配2长对接线束。
The lock includes 2M wire.
- 户内款, 适用于数据中心。
Suitable for indoor, esp for data center.

注: 如需了解详情, 请联系我们的销售代表。
Note: For more details, Please contact our sales representative.



料号 Part No.:
T-ICK1507-02 (13.56Mhz)

锌合金手柄; 尼龙锁壳; 镀锌钢锁舌。
工作电压: DC12V或5V (可定制); 工作电流: 100MA
Zinc die handle; PA housing; Zinc plated cam.
Rated voltage: DC12V or 5V; Rated current: 100MA

目录 Index

物联锁 IoT Lock

To get product 3D models freely, Please contact info@yeekaco.com

1H-002

品号及对应开启方式说明 IoT Lock Model Selection Description

序号 No.	品号 Part Number	照片 Photo	开启方式 Access Ways
1	1507-126-20		机械钥匙+远程 Mechanical key+Remote Control
2	1507-126-20.TH		机械钥匙+远程 含温湿度传感器 Mechanical key+Remote Control including Temperature and humidity sensor
3	1507-1216-20		机械钥匙+远程+密码 Mechanical key+Remote Control+Keypad Password
4	1507-1216-20.TH		机械钥匙+远程+密码 含温湿度传感器 Mechanical key+Remote Control+Keypad Password including Temperature and humidity sensor
5	1507-1226-20		机械钥匙+远程+刷卡 Mechanical key+Remote Control+IC card
6	1507-1226-20.TH		机械钥匙+远程+刷卡 含温湿度传感器 Mechanical key+Remote Control+IC card including Temperature and humidity sensor
7	1507-1236-20		机械钥匙+远程+蓝牙 (扫码) Mechanical key+Remote Control +Bluetooth(QR code scan)

注: 如需了解详情, 请联系我们的销售代表。
Note: For more details, Please contact our sales representative.

序号 No.	品号 Part Number	照片 Photo	开启方式 Access Ways
8	1507-1236-20.TH		机械钥匙+远程+蓝牙 (扫码) 含温湿度传感器 Mechanical key+Remote Control+Bluetooth(QR code scan) including Temperature and humidity sensor
9	1507-1246-20		机械钥匙+远程+指纹 Mechanical key+Remote Control+Finger Print
10	1507-1246-20.TH		机械钥匙+远程+指纹 含温湿度传感器 Mechanical key+Remote Control+Finger Print including Temperature and humidity sensor
11	1507-12126-20		机械钥匙+远程+密码+刷卡 Mechanical key+Remote Control+Keypad password+IC card
12	1507-12126-20.TH		机械钥匙+远程+密码+刷卡 含温湿度传感器 Mechanical key+Remote Control+Keypad password+IC card including Temperature and humidity sensor
13	1507-12346-20		机械钥匙+远程+指纹+蓝牙 (扫码) Mechanical key+Remote Control+Finger Print+Bluetooth(QR code scan)
14	1507-12346-20.TH		机械钥匙+远程+指纹+蓝牙 (扫码) 含温湿度传感器 Mechanical key+Remote Control+Finger Print+Bluetooth(QR code scan) including Temperature and humidity sensor

注: 如需了解详情, 请联系我们的销售代表。

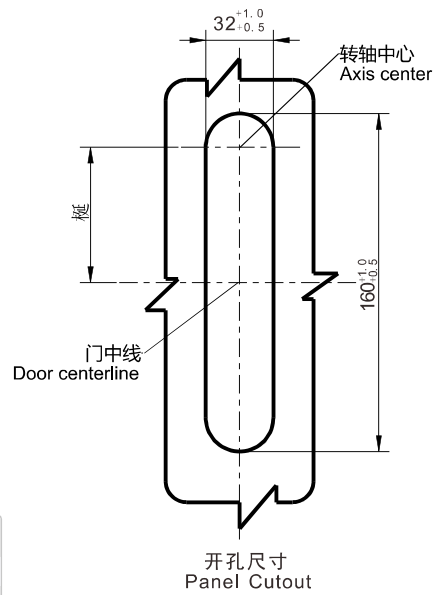
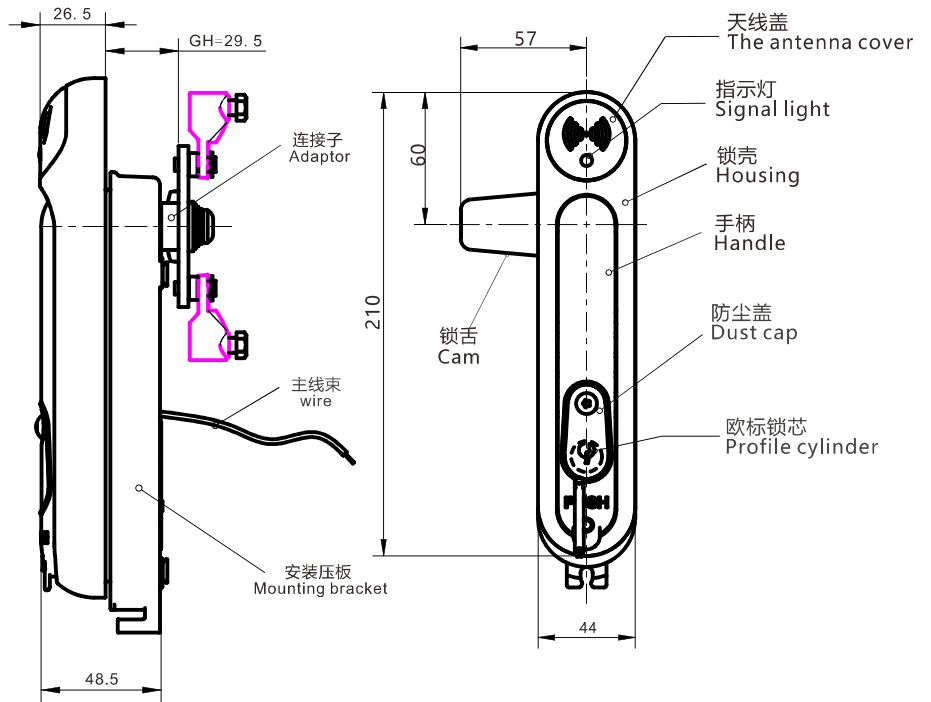
Note: For more details, Please contact our sales representative.

IP65

NEW

目录
Index

物联网锁 IoT Lock



备注: Note:

- 1、锁舌需要单独订购
Cam needs to be order separately.
- 2、卡片需要单独订购
Card needs to be order separately.
- 3、户外款 Suitable for out door .

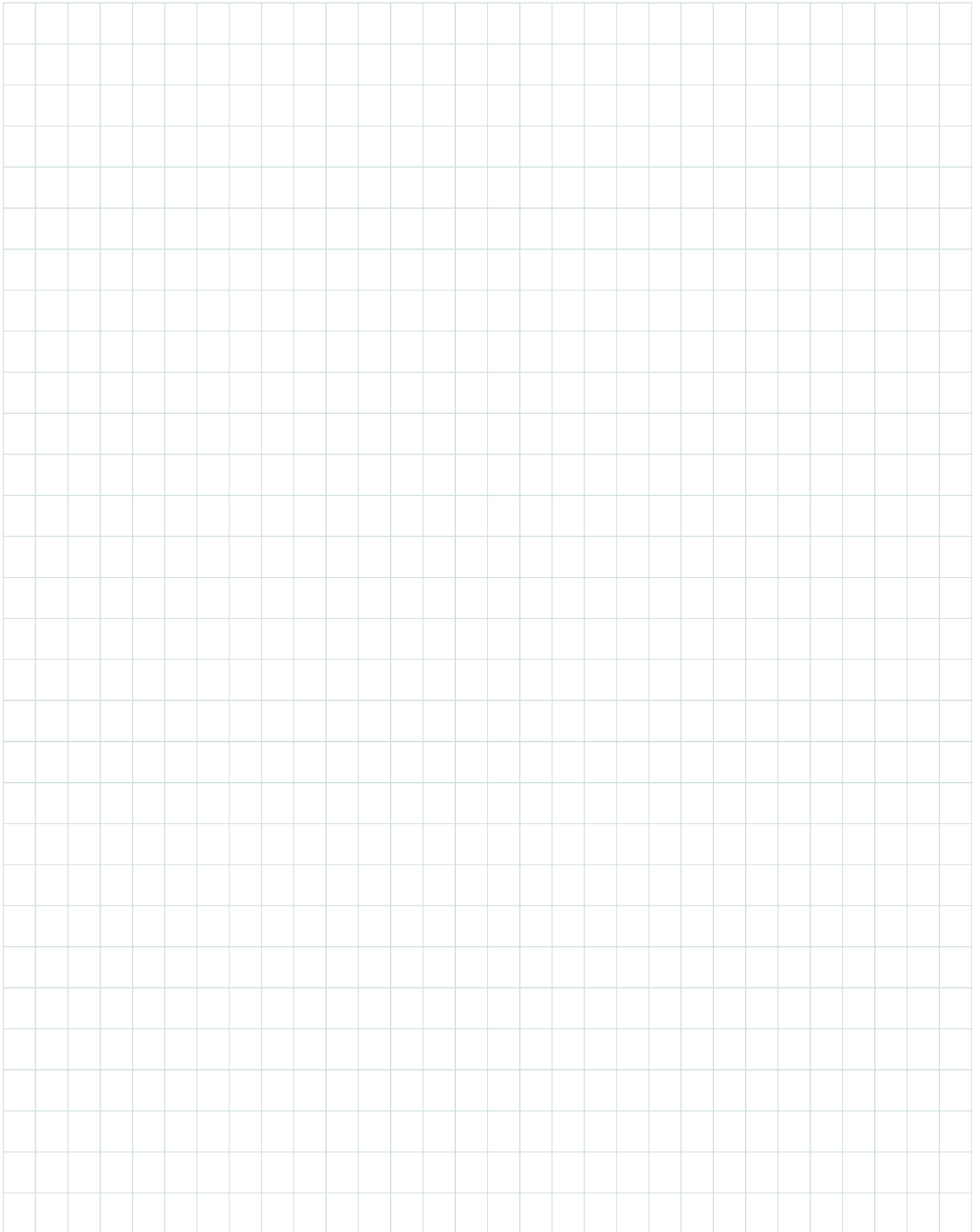
注: 如需了解详情, 请联系我们的销售代表。
Note: For more details, Please contact our sales representative.

锁壳、手柄、连接子: 锌合金, 麻面黑; 安装压板、天线盖、后盖: PA6+33%GF,砂面黑; 防尘盖: SUS304,本色
Housing, Handle, Adaptor: Zinc die casting, Black Textured Powder Coated; Mounting bracket, The antenna cover, Cover: PA6+33%GF, Black; Dust cap: SUS304, Natural

开启方式 Access Way	
机械钥匙+远程+刷卡 Key & Remote & IC card	1518-3226-20
机械钥匙+远程+刷卡+蓝牙 Key & Remote & IC card & Bluetooth	1518-32236-20

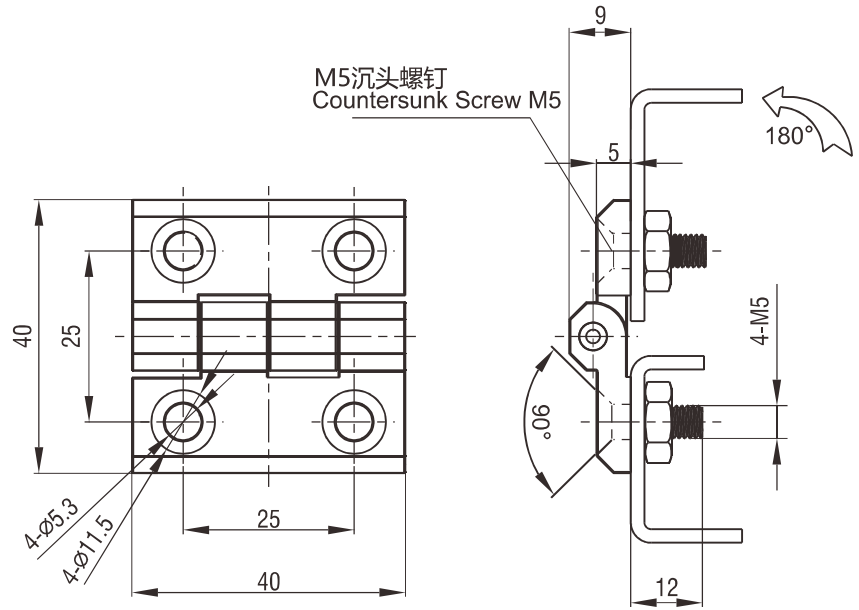
如需获得产品3D模型图, 请联系 info@yeekaco.com

1H-005



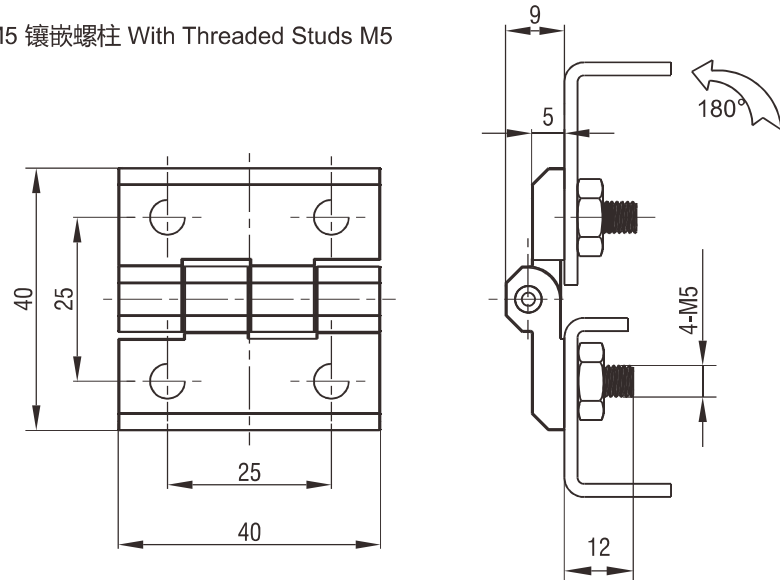


M5 沉头螺钉固定 Countersunk Screw M5



材质可做全不锈钢
SUS material upon request

M5 镶嵌螺柱 With Threaded Studs M5



锌合金, 镀锌钢或不锈钢销轴和螺柱, 表面处理可做喷塑黑和电镀亮铬
Zinc die, m.s. zinc plated or SUS pin and threaded studs, black powder coated or bright chrome

螺钉固定铰链 Screw-on Hinge 40X40

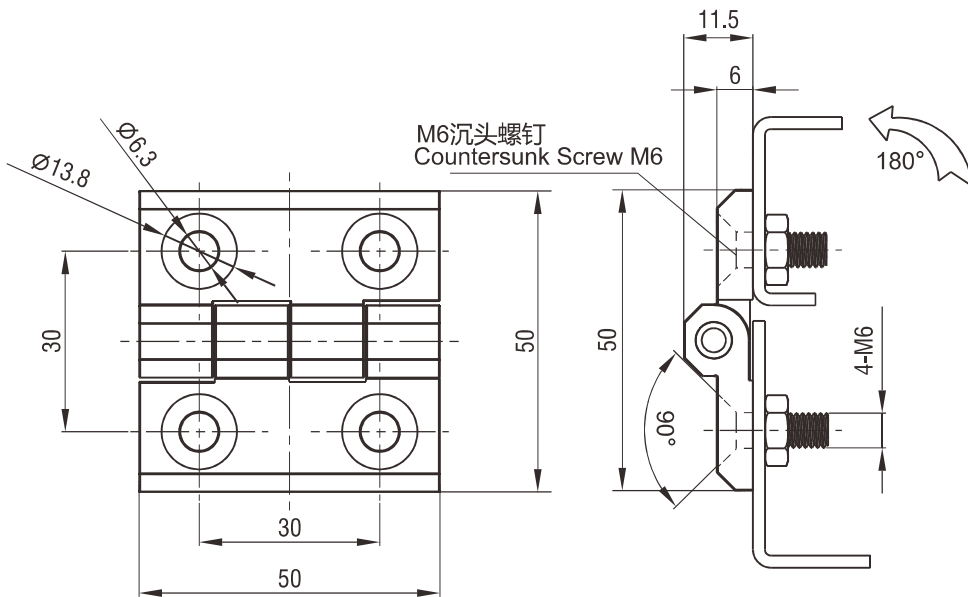
表面处理 Finish	M5 沉头螺钉固定 Countersunk Screw M5	M5 镶嵌螺柱 With Threaded Studs M5
喷塑黑 Black Powder Coated	2101-400-10	2101-401-20
亮铬 Bright Chrome	2101-400-30	
不锈钢 316 SUS 316	2101-400-316	
喷沙镀铬 Textured Chrome Plated		2101-401-79

螺钉固定铰链 Screw-on Hinge

产品系列: 2101

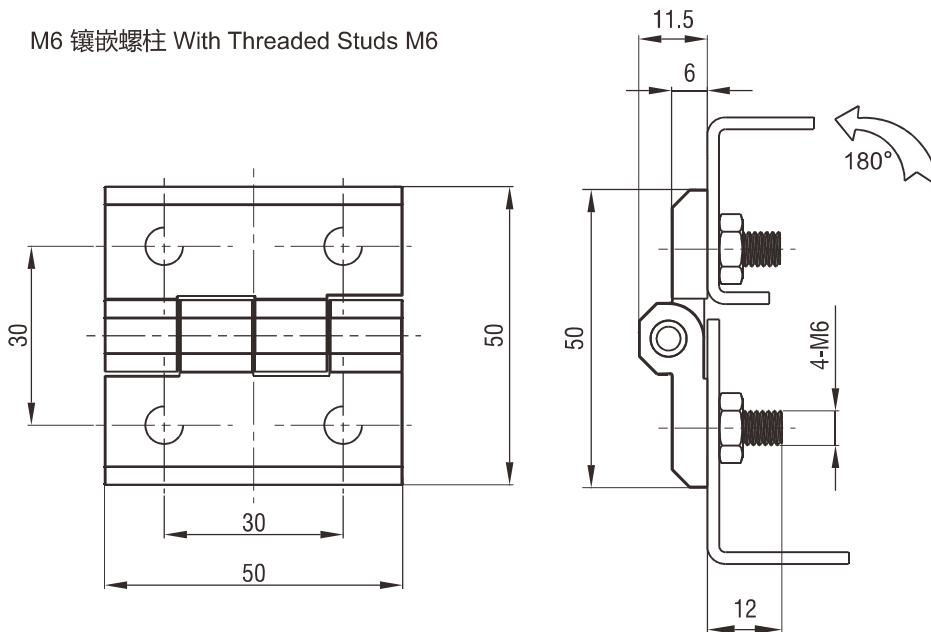
yeeka

M6 沉头螺钉固定 Countersunk Screw M6



材质可做全不锈钢
SUS material upon request

M6 镶嵌螺柱 With Threaded Studs M6



锌合金, 镀锌钢或不锈钢销轴和螺柱, 表面处理可做喷塑黑和电镀亮铬
Zinc die, m.s. zinc plated or SUS pin and threaded studs, black powder coated or bright chrome



螺钉固定铰链 Screw-on Hinge 50X50

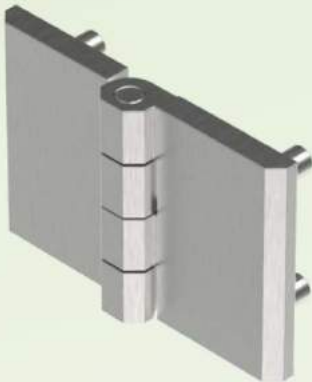
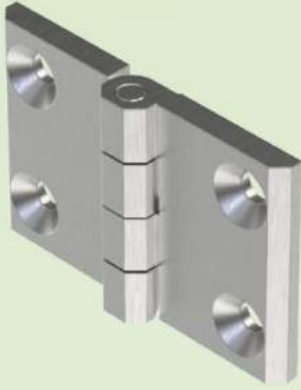
表面处理 Finish	M6 沉头螺钉固定 Countersunk Screw M6	M6 镶嵌螺柱 With Threaded Studs M6
喷塑黑 Black Powder Coated	2101-500-10	2101-501-20
亮铬 Bright Chrome	2101-500-30	
不锈钢 316 SUS 316	2101-500-316	
喷沙镀铬 Textured Chrome Plated		2101-501-79

目录
Index

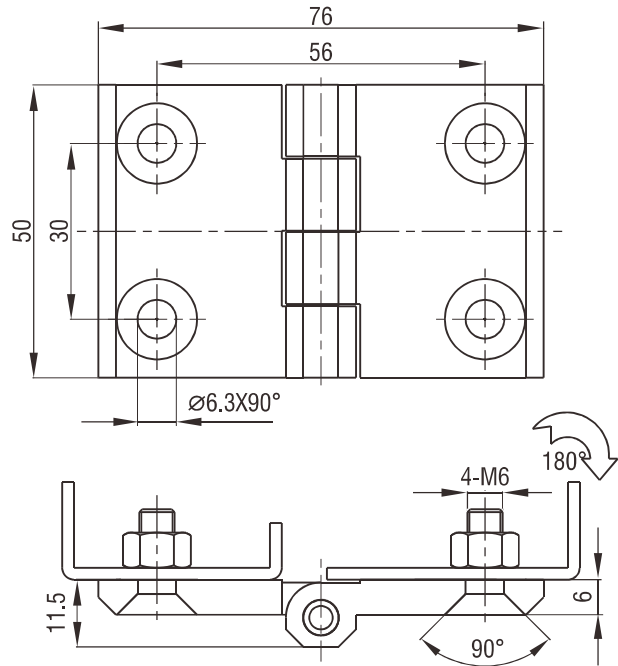
铰链
Hinges

To get product 3D models freely, Please contact info@yeekaco.com

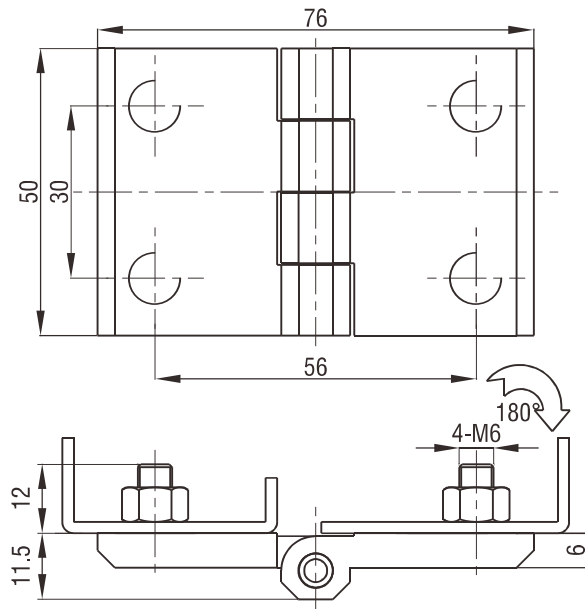
2A-002



M6 沉头螺钉固定 Countersunk Screw M6



材质可做全不锈钢
SUS material upon request



锌合金，镀锌钢或不锈钢销轴和螺柱，表面处理可做喷塑黑和电镀亮铬
Zinc die, m.s. zinc plated or SUS pin and threaded studs, black powder coated or bright chrome.

螺钉固定铰链 Screw-on Hinge 50X76

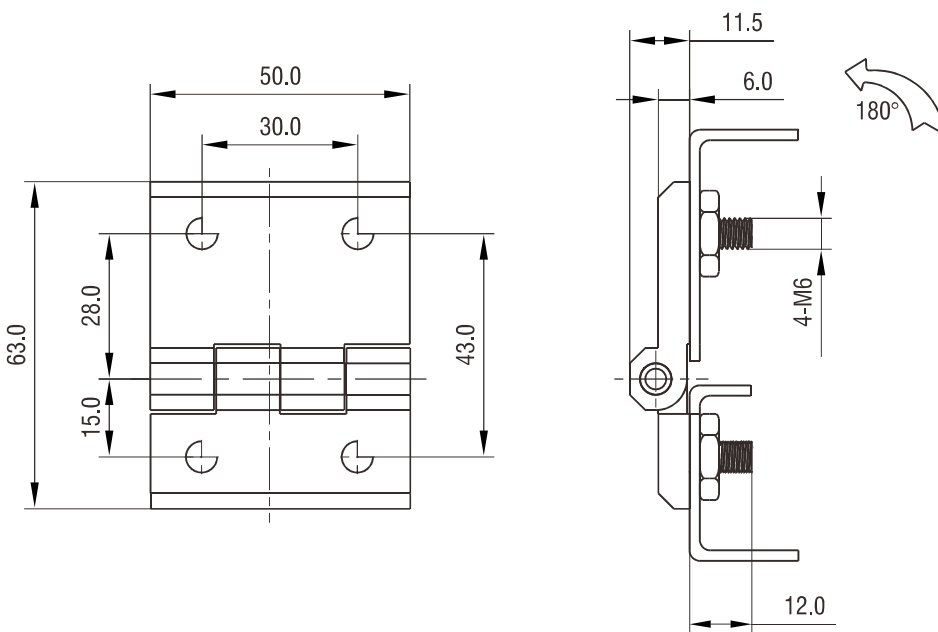
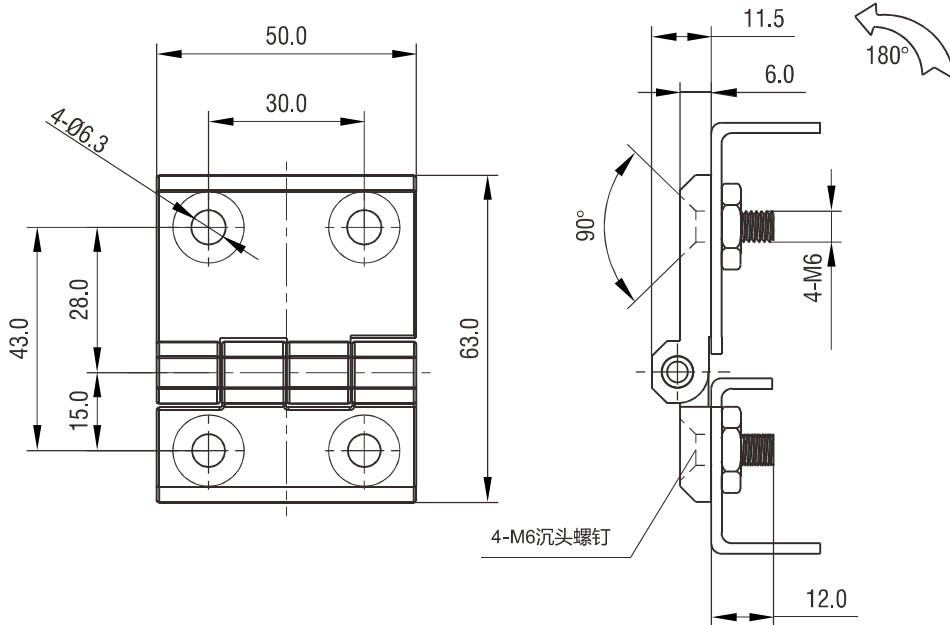
表面处理 Finish	M6 沉头螺钉固定 Countersunk Screw M6	M6 镶嵌螺柱 With Threaded Studs M6
喷塑黑 Black Powder Coated	2101-576-10	2101-5761-20
亮铬 Bright Chrome	2101-576-30	
不锈钢 316 SUS 316	2101-576-316	
喷沙镀铬 Textured Chrome Plated		2101-5761-79

螺钉固定铰链

Screw-on Hinge

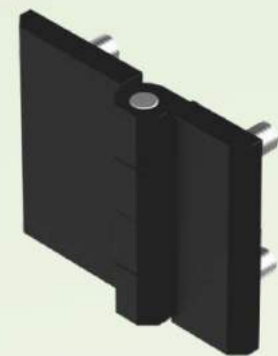
产品系列: 2101

yeeka



锌合金, 镀锌钢或不锈钢销轴和螺柱, 表面处理可做喷塑黑和电镀亮铬
Zinc die, m.s. zinc plated or SUS pin and threaded studs, black powder coated or bright chrome.

RLGS STAINLESS SERIES



目录
Index

铰链
Hinges

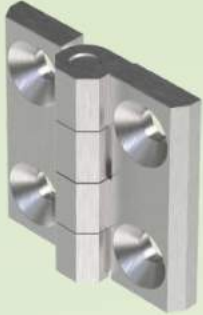
To get product 3D models freely, Please contact info@yeekaco.com

2A-004

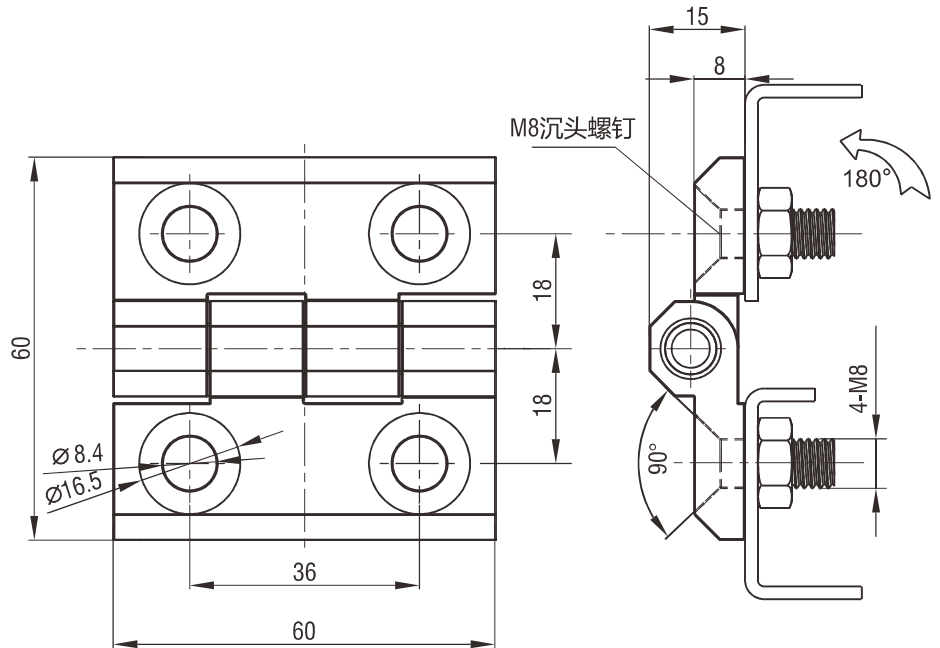


目录
Index

铰链
Hinges

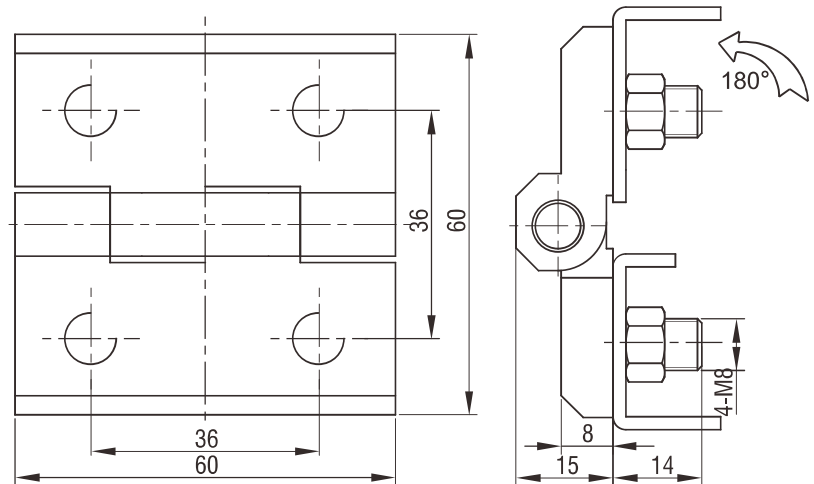


M8 沉头螺钉固定 Countersunk Screw M8



材质可做全不锈钢
SUS material upon request

M8 镶嵌螺柱 With Threaded Studs M8



材质可做全不锈钢
SUS material upon request

锌合金, 镀锌钢或不锈钢销轴和螺柱, 表面处理可做喷塑黑和电镀亮铬
Zinc die, m.s. zinc plated or SUS pin and threaded studs, black powder coated or bright chrome

螺钉固定铰链 Screw-on Hinge 60X60

表面处理 Finish	M8 沉头螺钉固定 Countersunk Screw M8	M8 镶嵌螺柱 With Threaded Studs M8
喷塑黑 Black Powder Coated	2101-600-10	2101-601-20
亮铬 Bright Chrome	2101-600-30	
不锈钢 316 SUS316	2101-600-316	
喷沙镀铬 Textured Chrome Plated		2101-601-79

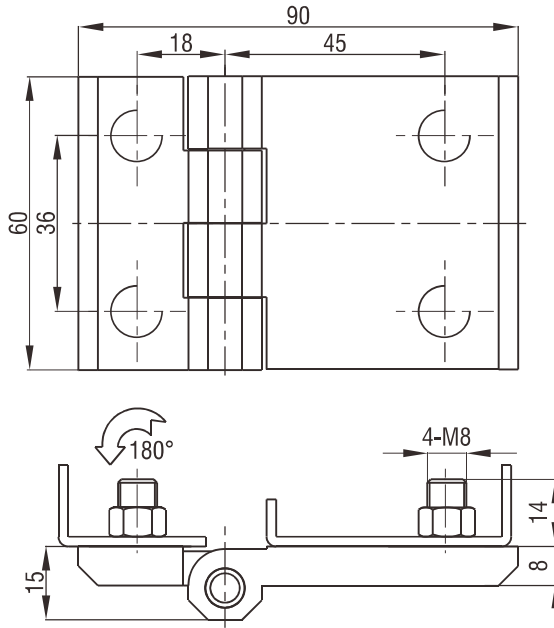
如需获得产品3D模型图, 请联系 info@yeekaco.com

螺钉固定铰链

Screw-on Hinge

产品系列: 2101

yeeka



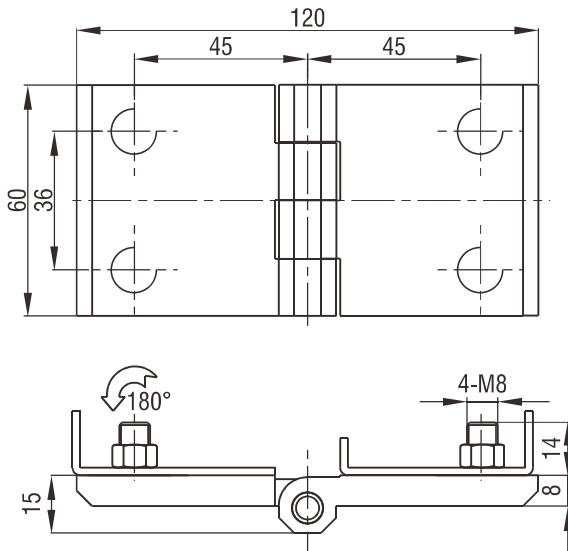
目录
Index

铰链
Hinges



螺钉固定铰链 Screw-on Hinge 60X90

表面处理 Surface	M8 镶嵌螺柱 With Threaded Studs M8
麻面黑 Black Textured Powder Coated	2101-691-20
喷沙镀铬 Textured Chrome Plated	2101-691-79



锌合金, 镀锌钢或不锈钢销轴和螺柱, 表面处理可做喷塑黑和电镀亮铬
Zinc die, m.s. zinc plated or SUS pin and threaded studs, black powder coated or bright chrome

螺钉固定铰链 Screw-on Hinge 60X120

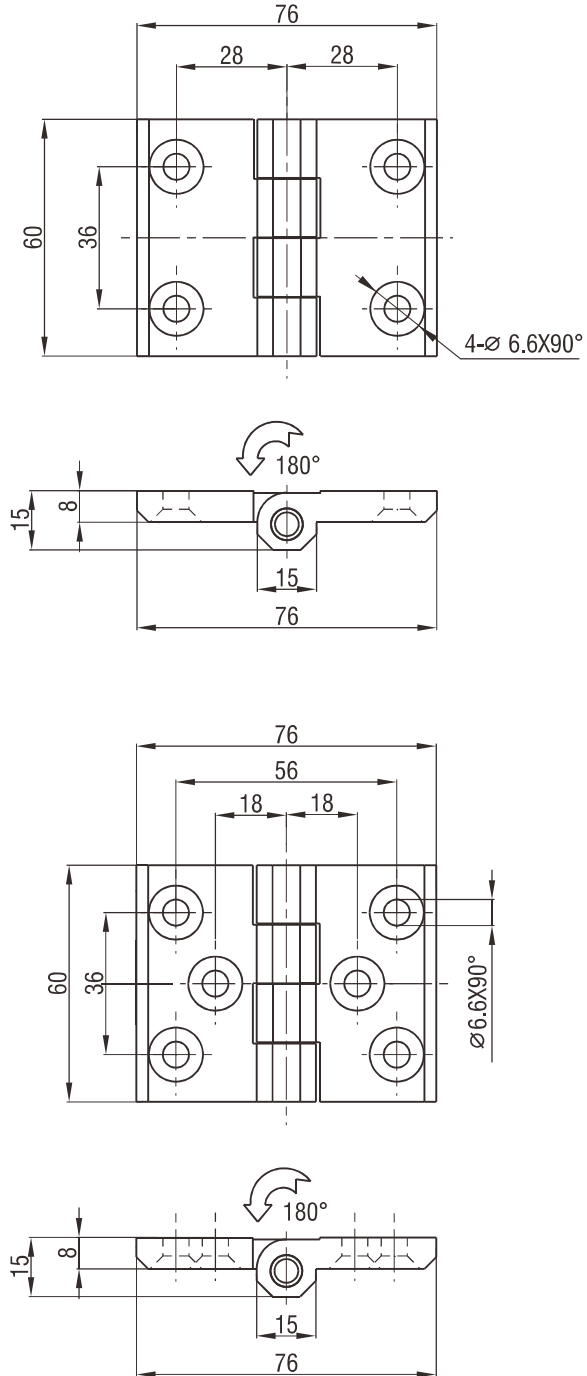
表面处理 Finish	M8 镶嵌螺柱 With Threaded Studs M8
麻面黑 Black Textured Powder Coated	2101-61201-20
喷沙镀铬 Textured Chrome Plated	2101-61201-79

To get product 3D models freely, Please contact info@yeekaco.com

2A-006



M6 沉头螺钉固定 Countersunk Screw M6



锌合金, 镀锌钢或不锈钢销轴表面处理可做喷塑黑和电镀亮铬, 材质可做全不锈钢
Zinc die, m.s. zinc plated or SUS pin, black powder coated or bright chrome, SUS material upon request

螺钉固定铰链 Screw-on Hinge 60X76

表面处理 Finish	四个 M6 沉头螺丝孔 4 Countersunk Screw hole M6	六个 M6 沉头螺丝孔 6 Countersunk Screw hole M6
喷塑黑 Black Powder Coated	2101-6764-10	2101-6766-10
亮铬 Bright Chrome	2101-6764-30	2101-6766-30

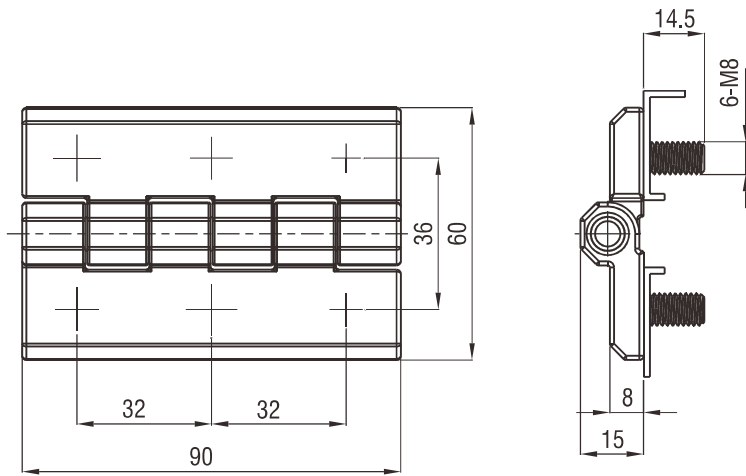
螺钉固定铰链 Screw-on Hinge

产品系列: 2101、2104

yeeka

目录
Index

铰链
Hinges

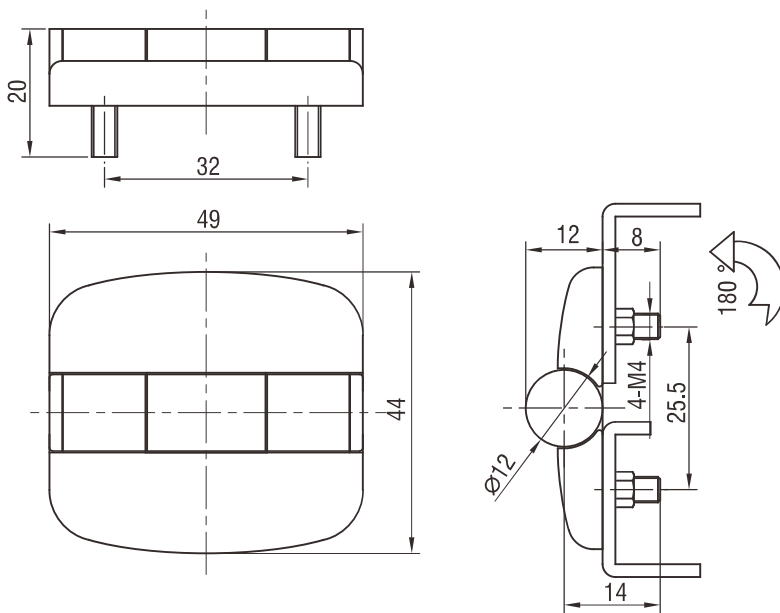


锌合金, 镀锌钢或不锈钢销轴和螺柱, 表面处理可做喷塑黑和喷沙镀铬
Zinc die, m.s. zinc plated or SUS pin and threaded studs, black powder coated or textured chrome plated

螺钉固定铰链 Screw-on Hinge 90X60

M8 镶嵌螺柱 With Threaded Studs M8

表面处理 Finish	左开 Left	右开 Right
喷塑黑 Black Powder Coated	2101-961-20L	2101-961-20R
喷沙镀铬 Textured chrome plated	2101-961-79L	2101-961-79R



乙缩醛和尼龙黑
Nylon black hinge leaves & covers, acetal black hinge pin and pin insert

自由摆动 Free-Swinging	定位控制120度, 170度 Detented open angle
2104-0-90	2104-5-90

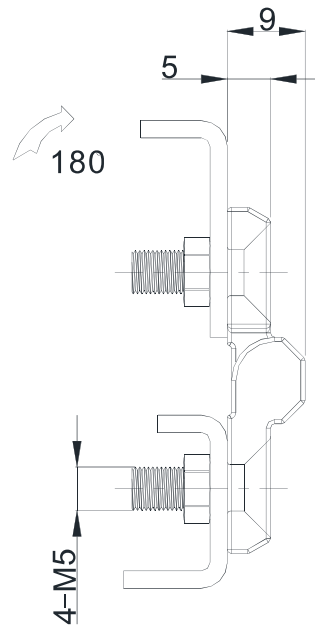
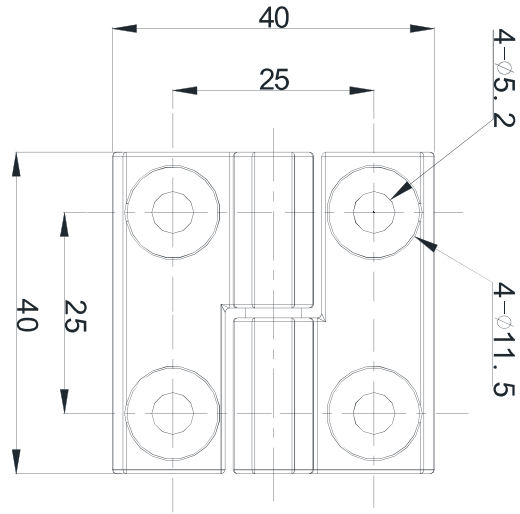


To get product 3D models freely, Please contact info@yeekaco.com

2A-008



注: 可拆卸铰链
Remark: Lift-off hinge



可拆卸铰链, 材质可做全不锈钢
lift-off hinge, SUS material upon request

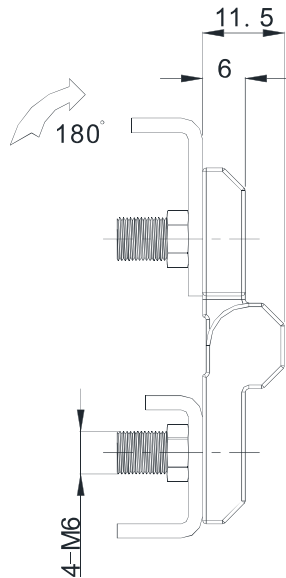
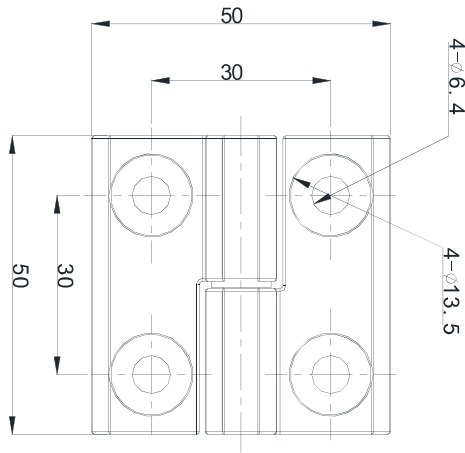
螺钉固定铰链 Screw-on Hinge 40X40

表面处理 Finish	A 型 (左装) Version A(Left)	B 型 (右装) Version B(Right)
亚光黑 Black Smooth Powder Coated	2101-400L-10	2101-400R-10
麻面黑 Bright Chrome	2101-400L-20	2101-400R-20
亮铬 Bright Chrome	2101-400L-30	2101-400R-30
不锈钢 316 SUS316	2101-400L-316	2101-400R-316

螺钉固定铰链 Screw-on Hinge

产品系列: 2101

yeeka



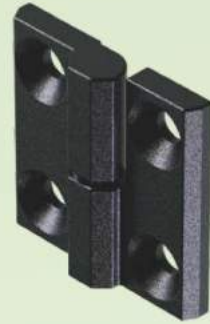
锌合金, 镀锌钢或不锈钢销轴和螺柱, 表面处理可做喷塑黑和电镀亮铬
Zinc die, m.s. zinc plated or SUS pin and threaded studs, black powder coated or bright chrome

螺钉固定铰链 Screw-on Hinge 50X50

表面处理 Finish	A 型 (左装) Version A(Left)	B 型 (右装) Version B(Right)
亚光黑 Black Smooth Powder Coated	2101-500L-10	2101-500R-10
麻面黑 Bright Chrome	2101-500L-20	2101-500R-20
亮铬 Bright Chrome	2101-500L-30	2101-500R-30
不锈钢 316 SUS316	2101-500L-316	2101-500R-316



NEW



注: 可拆卸铰链
Remark: Lift-off hinge

目录
Index

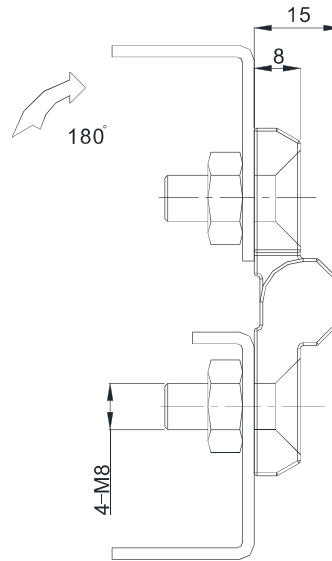
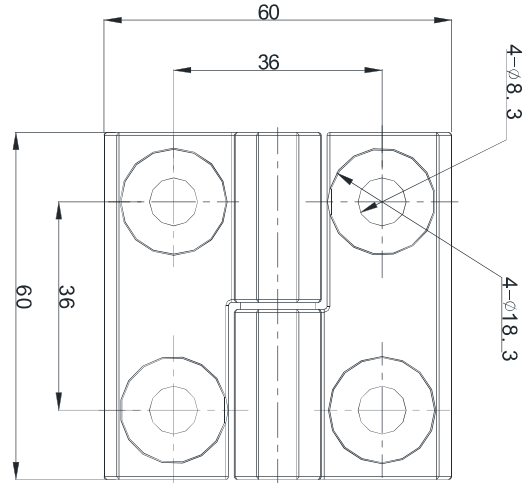
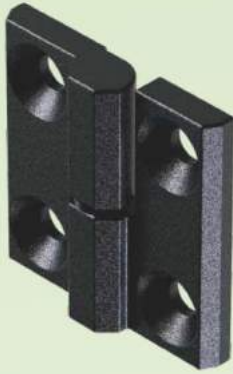
铰链
Hinges

To get product 3D models freely, Please contact info@yeekaco.com

2A-010



NEW



锌合金，镀锌钢或不锈钢销轴和螺柱，表面处理可做喷塑黑和电镀亮铬
Zinc die, m.s. zinc plated or SUS pin and threaded studs, black powder coated or bright chrome

螺钉固定铰链 Screw-on Hinge 60X60

表面处理 Finish	A 型 (左装) Version A(Left)	B 型 (右装) Version B(Right)
亚光黑 Black Smooth Powder Coated	2101-600L-10	2101-600R-10
麻面黑 Bright Chrome	2101-600L-20	2101-600R-20
亮铬 Bright Chrome	2101-600L-30	2101-600R-30
不锈钢 316 SUS316	2101-600L-316	2101-600R-316



注：可拆卸铰链
Remark: Lift-off hinge

螺钉固定铰链

Screw-on Hinge

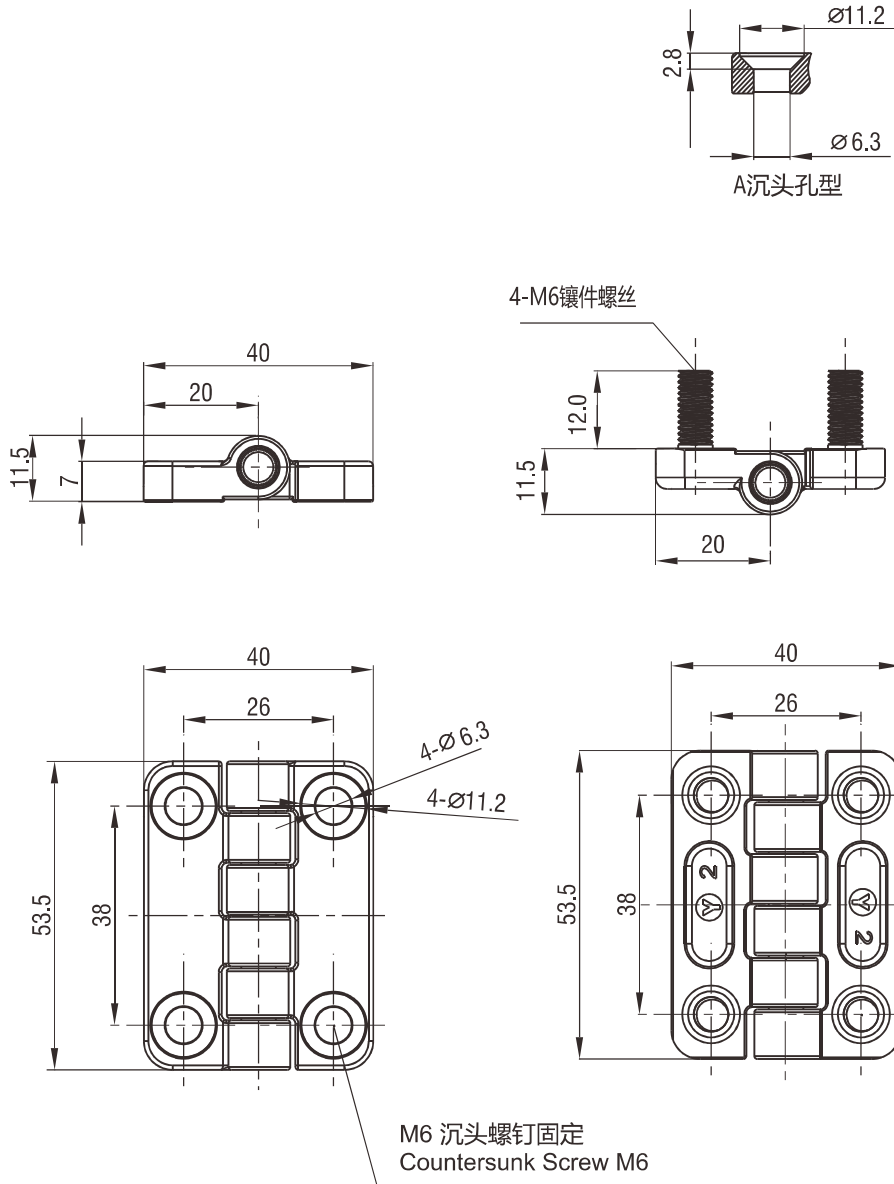
产品系列: 2102

yeeka



目录
Index

铰链
Hinges



锌合金, 镀锌钢或不锈钢销轴和螺柱, 表面处理可做喷塑黑和电镀亮铬
Zinc die, m.s. zinc plated or SUS pin and threaded studs, black powder coated or bright chrome

螺钉固定铰链 Screw-on Hinge		
表面处理 Finish	M6 沉头螺钉固定 Countersunk Screw M6	M6 镶嵌螺柱 With Threaded Studs M6
喷塑黑 Black Powder Coated	2102-540-10	2102-541-20
亮铬 Bright Chrome	2102-540-30	
喷沙镀铬 Textured Chrome Plated		2102-541-79

To get product 3D models freely, Please contact info@yeekaco.com

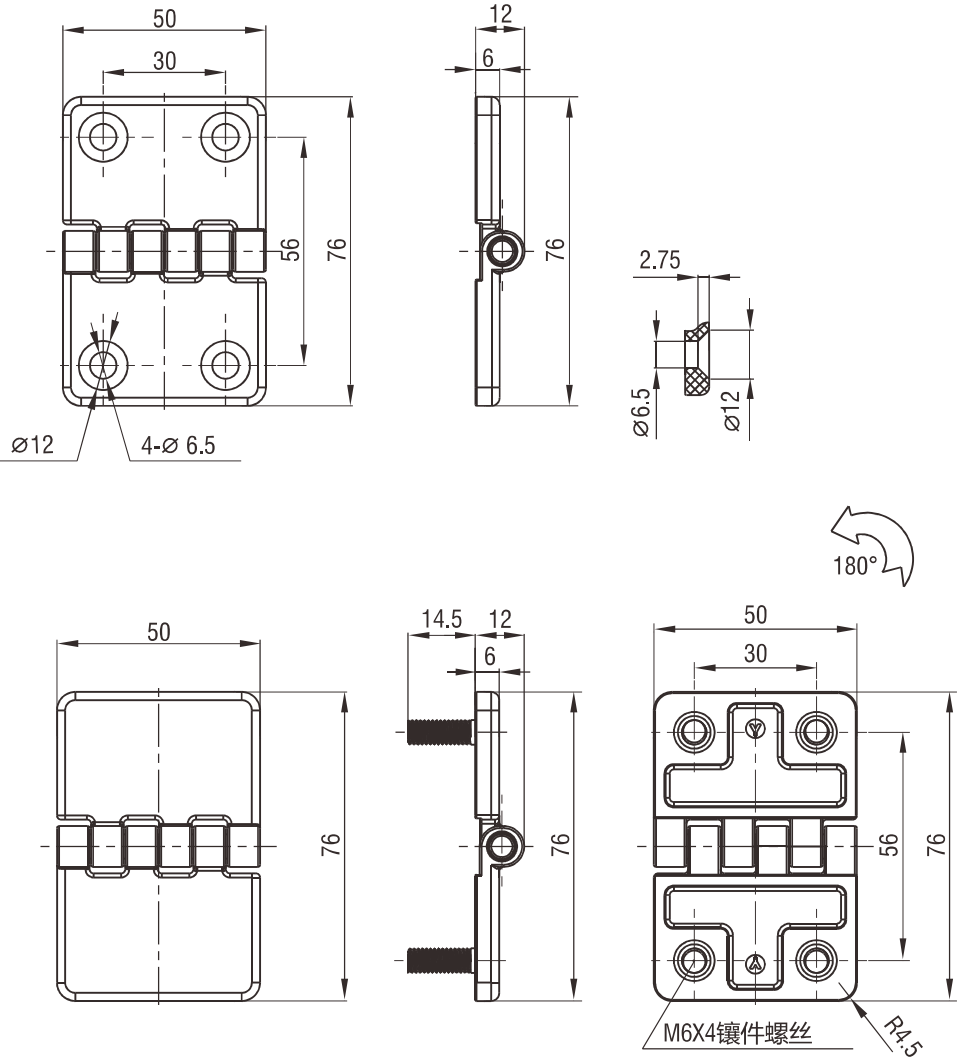
2A-012

M6 沉头螺钉固定 Countersunk Screw M6



目录
Index

铰链
Hinges



锌合金, 镀锌钢或不锈钢销轴和螺柱, 表面处理可做喷塑黑和电镀亮铬
Zinc die, m.s. zinc plated or SUS pin and threaded studs, black powder coated or chrome bright

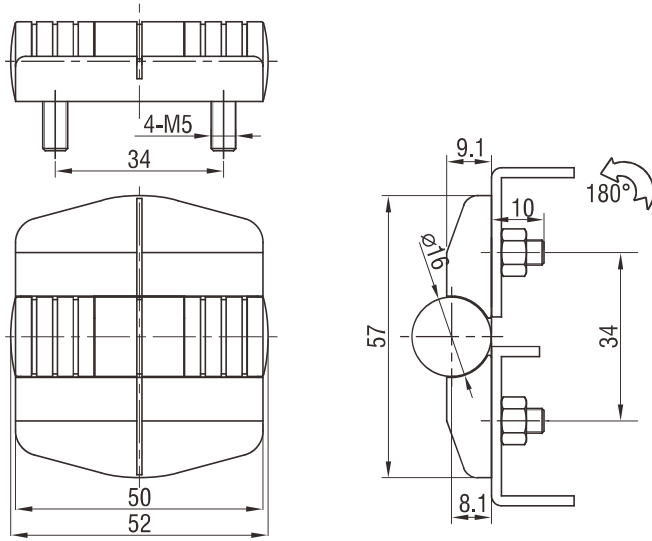
表面处理 Finish	M6 沉头螺钉固定 Countersunk Screw M6	M6 镶嵌螺柱 With Threaded Studs M6
喷塑黑 Black Powder Coated	2102-760-10	2102-761-20
亮铬 Bright Chrome	2102-760-30	
喷沙镀铬 Textured Chrome Plated		2102-761-79

螺钉固定铰链

Screw-on Hinge

产品系列: 2105、2106

yeeka



乙缩醛和尼龙黑

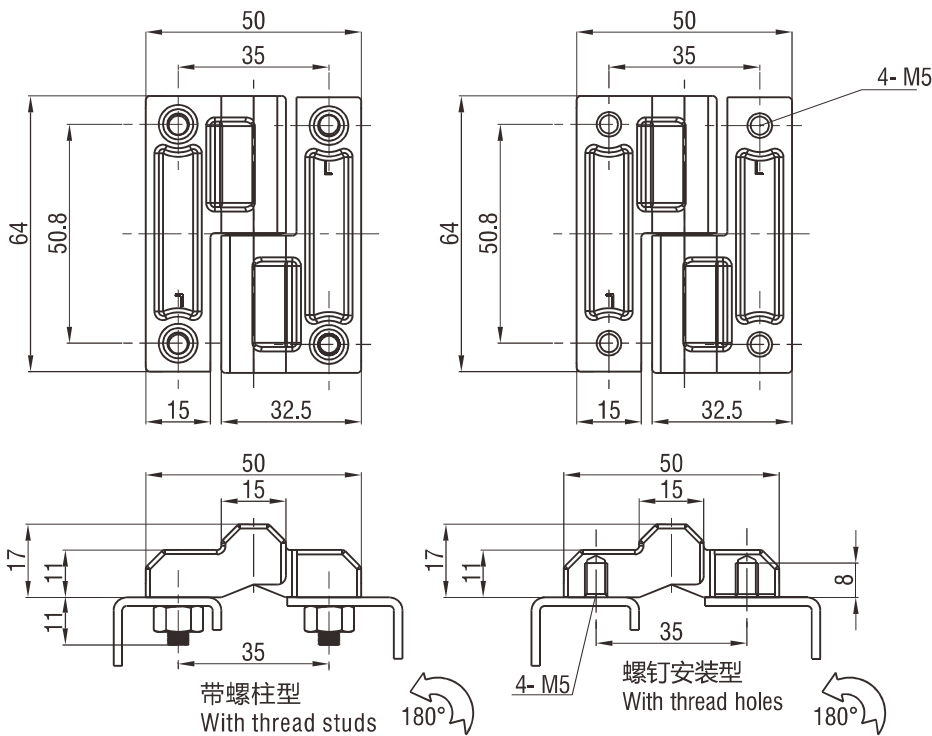
Nylon black hinge leaves & covers, acetal black hinge pin and pin insert

自由摆动 Free-Swinging		2105-0-90		
定位扭矩 Positioning Torque N.M	80°定位 Detented open angle : 80°	115°定位 Detented open angle : 115°	150°定位 Detented open angle : 150°	
0.7	2105-08007-90	2105-11507-90	2105-1507-90	
1.1	2105-08011-90	2105-11511-90	2105-15011-90	
1.7	2105-08017-90	2105-11517-90	2105-15017-90	



目录
Index

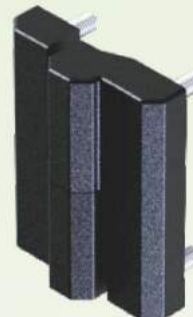
铰链
Hinges



锌合金, 镀锌钢或不锈钢销轴和螺柱, 表面处理可做喷塑黑和电镀

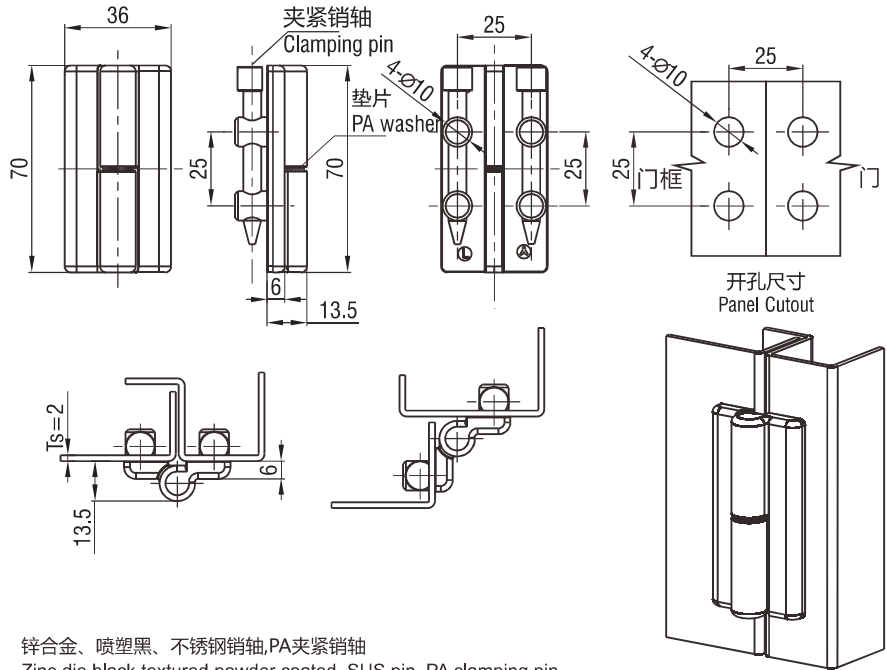
Zinc die, m.s. zinc plated or SUS pin and threaded studs, black powder coated or bright chrome.

	带螺柱型 With thread studs	带螺孔型 With thread hole
A型 (左装) Version A (left)	2106-501-L20	2106-500-L10
B型 (右装) Version B (Right)	2106-501-R20	2106-500-R10



To get product 3D models freely, Please contact info@yeekaco.com

2A-014

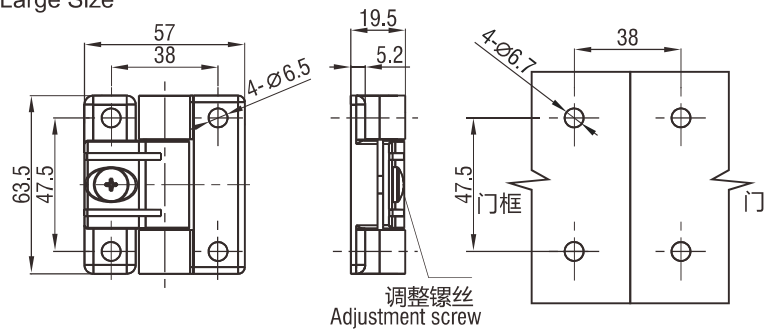


锌合金、喷塑黑、不锈钢销轴, PA夹紧销轴
Zinc die, black textured powder coated, SUS pin, PA clamping pin

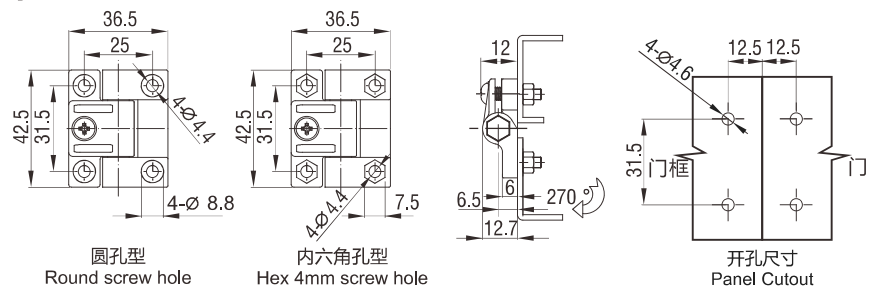
左装型 Left side	2107-L
右装型 Right side	2107-R



大型 Large Size



小型 Small Size



铰链叶片: 乙缩醛 销轴: 聚碳酸酯 调整螺钉和螺母: 不锈钢
Hinge Leaves: Acetal Hinge Pin: Polycarbonate Adjustment screw & nut: stainless steel

	黑色 Black		乳白色 White	
	圆孔型 Round screw hole	内六角孔型 Hex 4mm screw hole	圆孔型 Round screw hole	内六角孔型 Hex 4mm screw hole
大型 Large Size	2112-01-BR	2112-01-BS	2112-01-WR	2112-01-WS
小型 Small Size	2112-02-BR	2112-02-BS	2112-02-WR	2112-02-WS

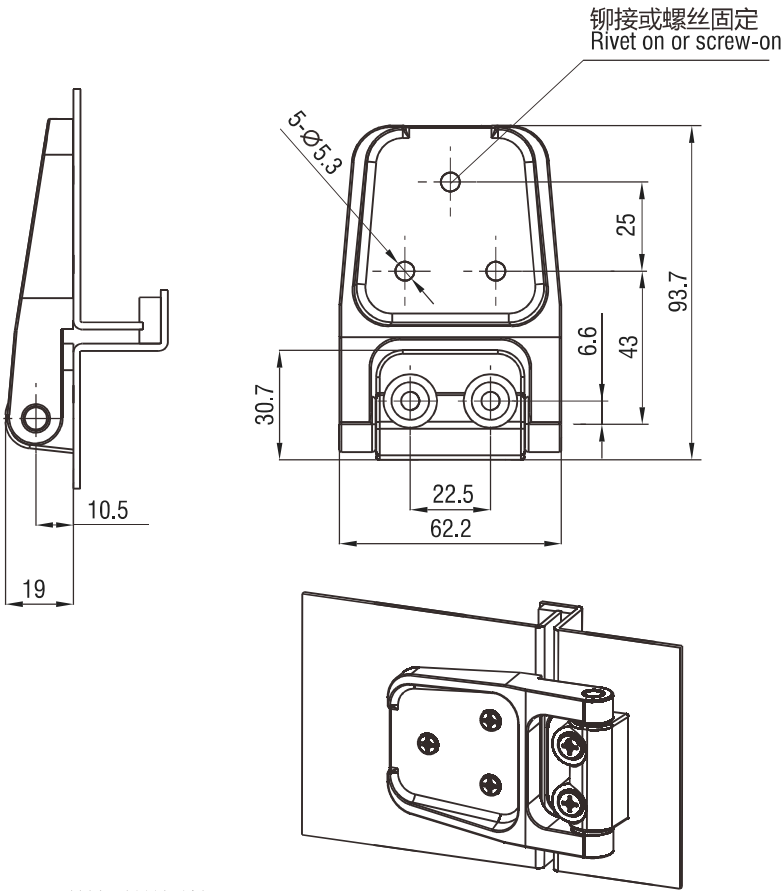
螺钉固定铰链 Screw-on Hinge

产品系列: 2113、2114

yeeka

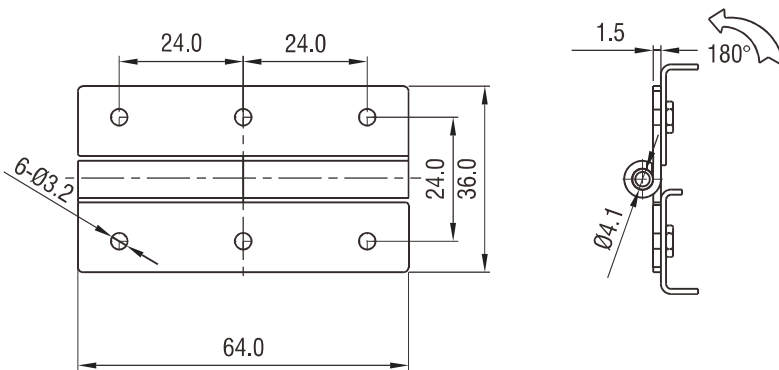
目录
Index

铰链
Hinges



黑色PA+GF 铰链、镀锌钢销轴
Hinge polyamide GF 30% black, m.s. zinc plated pin

2113-01



镀锌钢或不锈钢
M.S. zinc plated or stainless steel

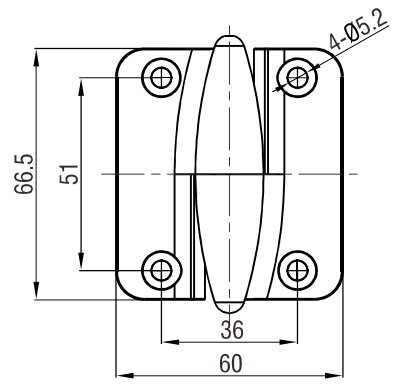
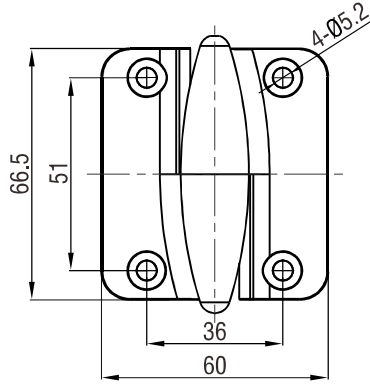
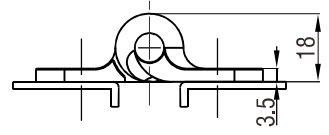
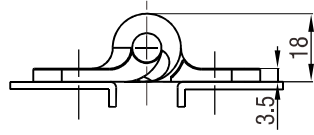
螺钉固定铰链 64X32 Screw-on Hinge 64X32

	左开 Left	右开 Right
不锈钢 304 SUS 304	2114-01-304L	2114-01-304R
铁镀锌 M.S.Zinc Plated	2114-01-01L	2114-01-01R



To get product 3D models freely, Please contact info@yeekaco.com

2A-016



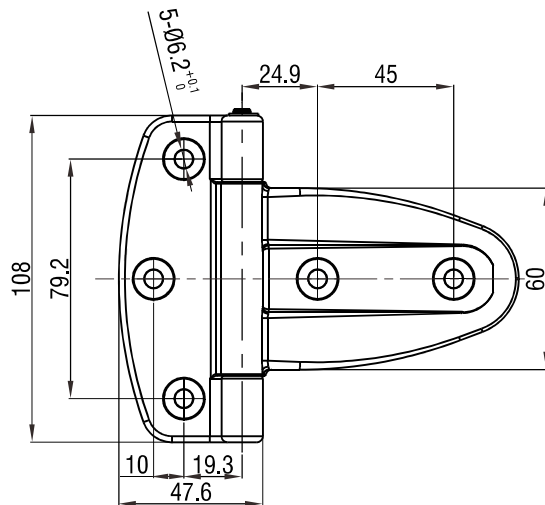
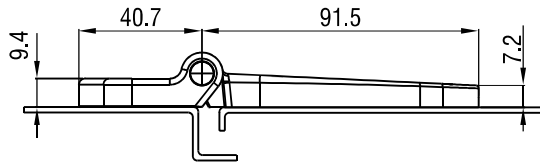
L型 (左装) Version L(Left)

R型 (右装) Version R(Right)

锌合金, 镀锌钢或不锈钢销轴, 表面可做喷塑黑和电镀
zinc die, m. s. zinc plated or SUS pin, black powder coated or bright chrome

螺钉固定铰链 60X70 Screw-on Hinge 60X70

表面处理 Finish	左装 Left	右装 Right
喷塑亚光黑 Black Smooth Powder Coated	2115-76604-10L	2115-76604-10R
亮铬 Bright Chrome	2115-76604-30L	2115-76604-30R



黑色PA+GF 铰链、不锈钢销轴
Hinge polyamide GF 30% black, stainless steel pin

螺钉固定铰链 Screw-on Hinge 2116-01-90

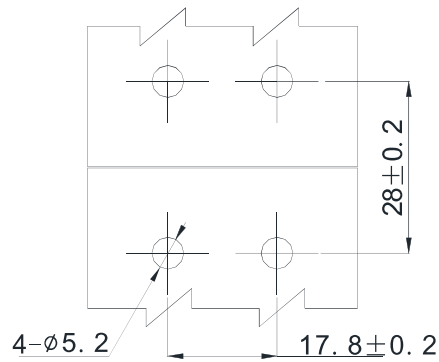
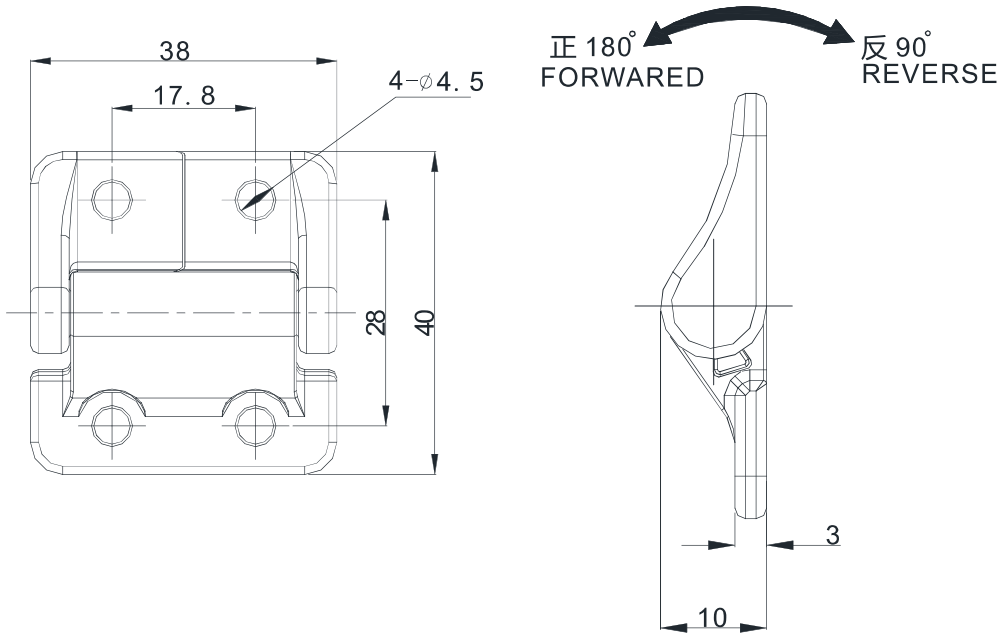
螺钉固定扭矩铰链 Screw-on Torque Hinge

产品系列: 2118

yeeka



NEW



开孔尺寸
Panel cutout



锌合金阻尼铰链, 不锈钢销轴
Zinc screw-in torque hinge, SUS pin

对称扭矩 N.m Symmetric N.m

	亚光黑 Black Smooth Powder Coated	麻面黑 Black Textured Powder Coated
自由摆动 Free Operating	2118-200-10	2118-200-20
0.9	2118-209-10	2118-209-20
1.4	2118-214-10	2118-214-20
1.8	2118-218-10	2118-218-20
2.3	2118-223-10	2118-223-20

目录
Index

铰链 Hinges

To get product 3D models freely, Please contact info@yeekaco.com

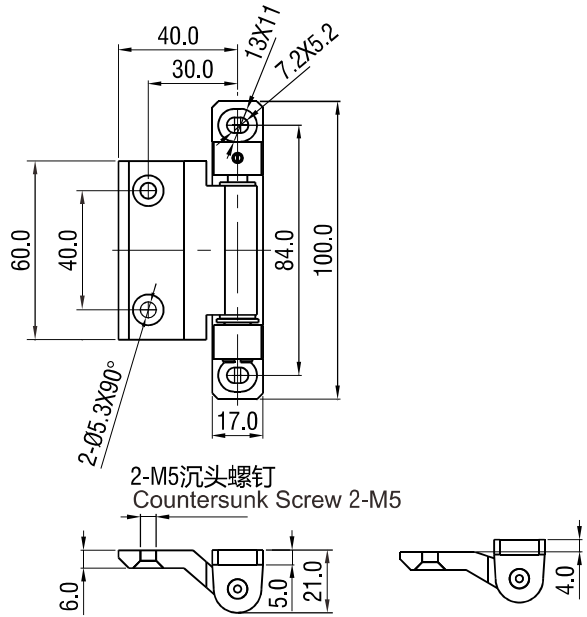
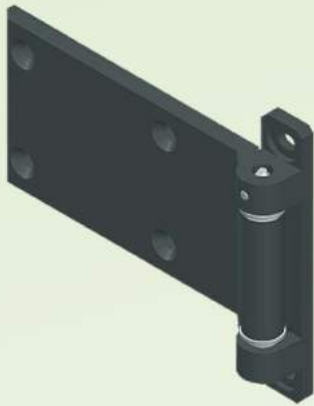
2A-018

2121-ABC型



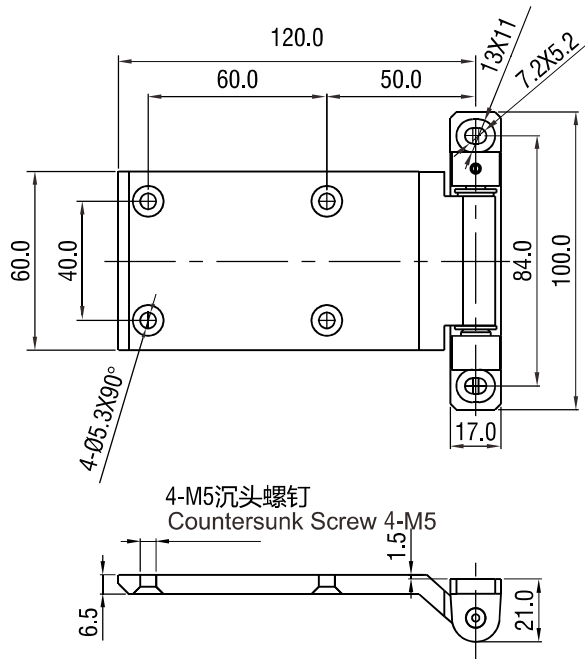
目录
Index

铰链
Hinges



A型 Version A

B型 Version B



C型 Version C

锌合金2D螺钉固定铰链, 镀镍黄铜销轴, 镀锌钢垫圈和PA衬套
2D screw-on hinge zinc die, nickel plated brass shaft, washer m.s. zinc plated and bush polyamide

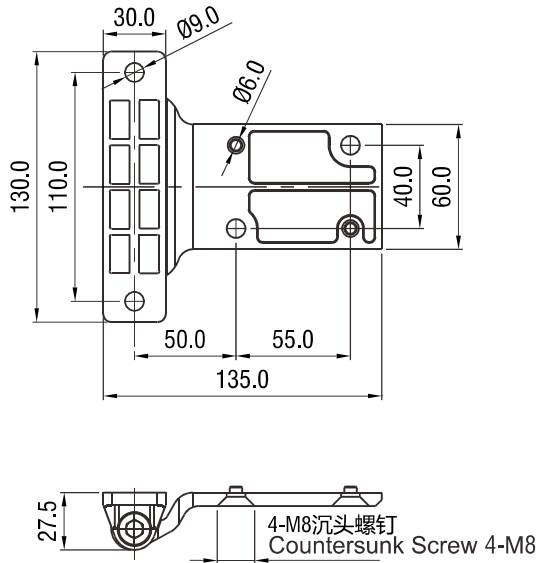
表面处理 Finish	A型 Version A	B型 Version B	C型 Version C
麻面黑 Black textured Powder Coated	2121-01-20	2121-02-20	2121-03-20

螺钉固定铰链

Screw-on Hinge

产品系列: 2122、2124

yeeka



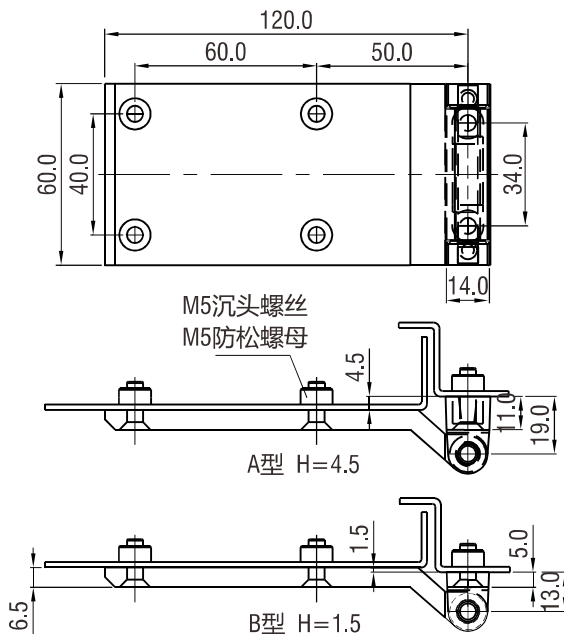
锌合金3D螺钉固定铰链, 不锈钢销轴和螺柱
3D-screw-on hinge zinc die, shaft and grub screw stainless steel

表面处理 Finish	左装 Left	右装 Right
麻面黑 Black textured Powder Coated	2122-01-20L	2122-01-20R



目录
Index

铰链
Hinges



锌合金螺钉固定铰链, 不锈钢销轴, PA衬套
Screw-on hinge zinc die, pin stainless steel and bushes polyamide

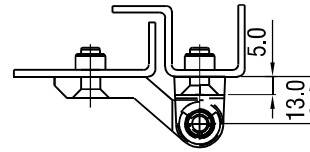
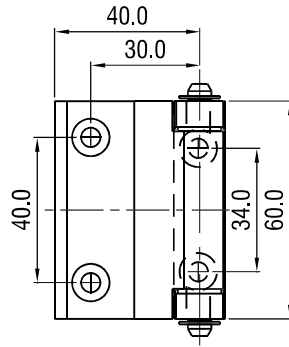
表面处理 Finish	A型 Version A	B型 Version B
麻面黑 Black textured Powder Coated	2124-01-20	2124-02-20



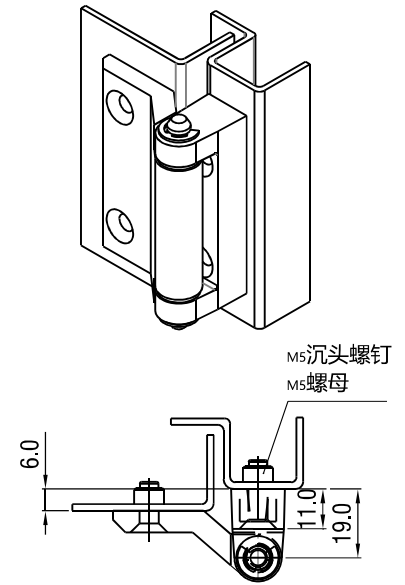
产品正在开发中
2020年12月份开始供
Under development,
shall be available on
December, 2020.

To get product 3D models freely, Please contact info@yeekaco.com

2A-024



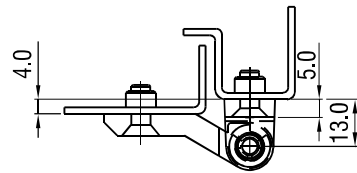
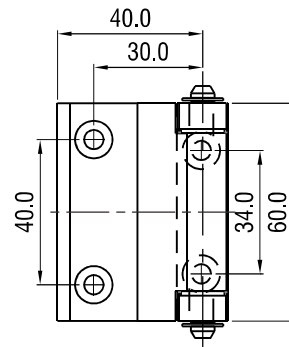
标准型
Standard



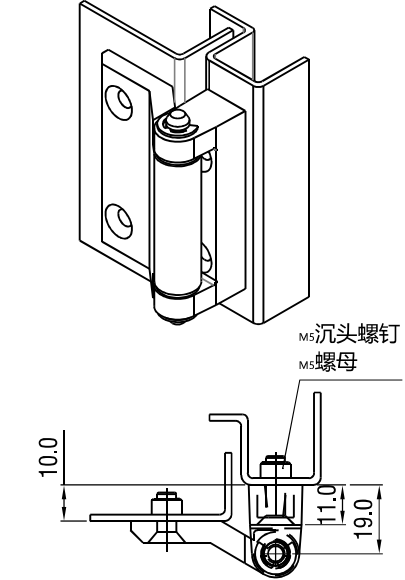
高度增加6MM型
Height:6mm higher

锌合金螺钉固定铰链, 不锈钢销轴
Screw-on hinge zinc die, SUS pin

表面处理 Finish	标准型 U4.5 Level	高度增加 6MM 型 U27.28 6mm Higher
麻面黑 Black textured Powder Coated	2123-01-20	2123-02-20
亮铬 Bright Chrome	2123-01-30	2123-02-30
不锈钢 316 SUS 316	2123-01-316	



高度增加4MM型
Height:4mm higher



高度增加10MM型
Height:10mm higher

锌合金螺钉固定铰链, 不锈钢销轴
Screw-on hinge zinc die, SUS pin

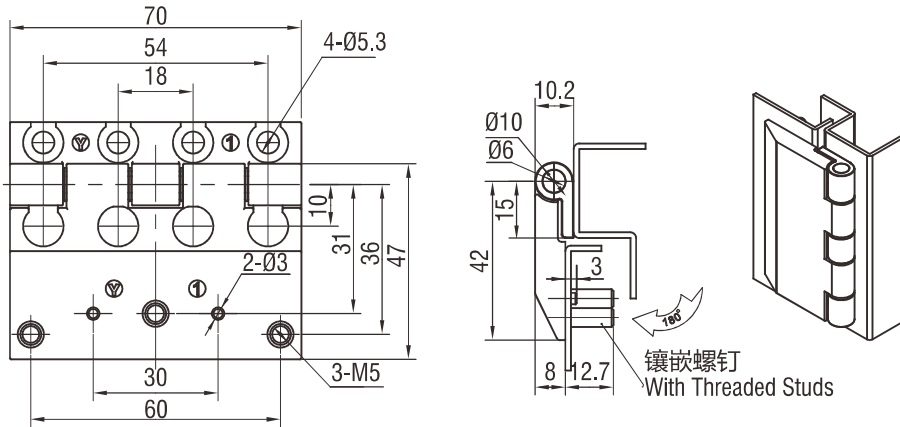
表面处理 Finish	高度增加 4MM 型 U7.10 4mm Higher	高度增加 10MM 型 U19.20 10mm Higher
麻面黑 Black textured Powder Coated	2123-03-20	2123-04-20
亮铬 Bright Chrome	2123-03-30	2123-04-30

螺钉固定铰链

Screw-on Hinge

产品系列: 2125、2126

yeeka



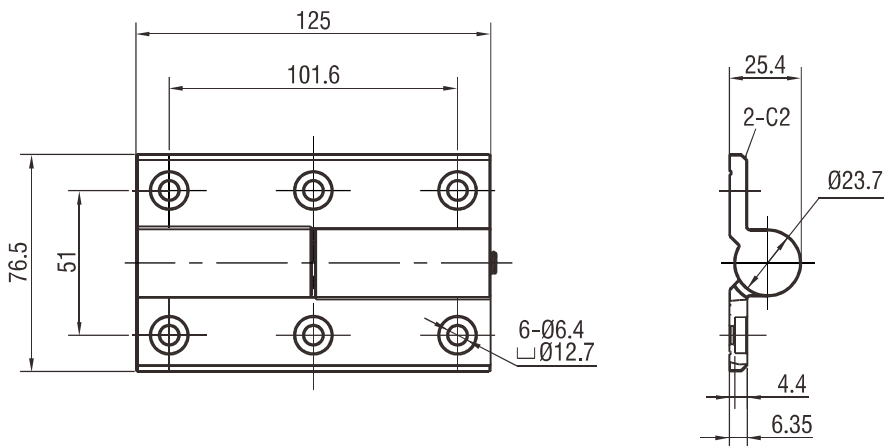
锌合金, 不锈钢销轴和螺柱, 表面处理可做喷塑麻面黑或纳米喷漆(银亚光)
Zinc die, SUS pin and with threaded studs, black textured powder coated or NM spray painting (matte silver)

表面处理 Finish	M5镶嵌螺钉 With Threaded Studs M5
喷塑麻面黑 Black Textured Powder Coated	2125-701-20
纳米喷漆(银亚光) NM spray painted (matte silver)	2125-701-52



目录
Index

铰链
Hinges



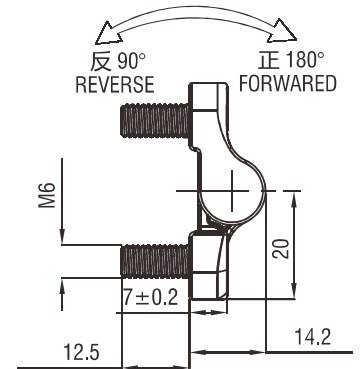
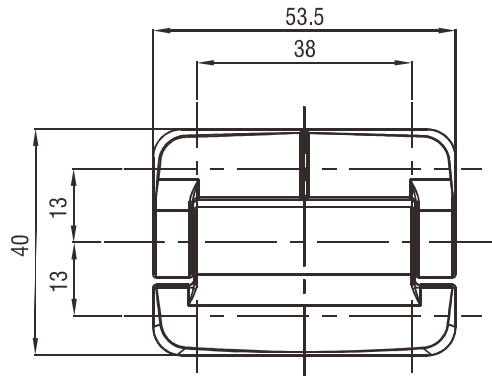
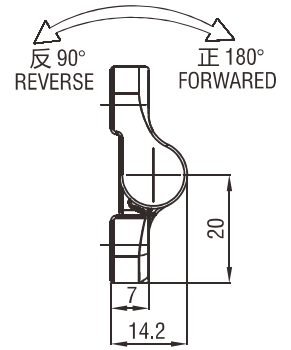
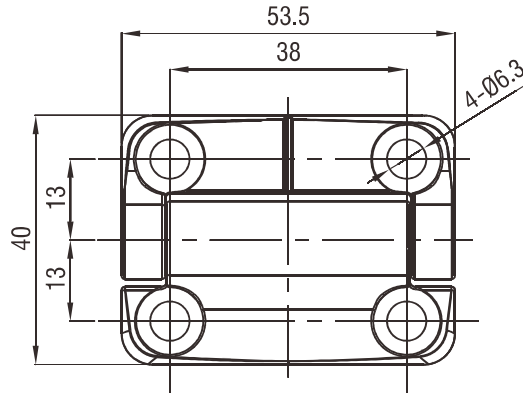
锌合金, 不锈钢销轴和螺丝, 表面处理可做亚光黑或麻面灰RAL7005
Zinc die, SUS pin and screw, black smooth powder coated or grey textured powder coated RAL7005

	M6沉头螺钉 Countersunk Screw-on Hinge M6	
表面处理 Finish	左装 Left Handle	右装 Right Handle
喷塑亚光黑 Black Smooth Powder Coated	2126-765-10L	2126-765-10R
麻面灰 RAL7005 Powder Coated RAL7005	2126-765-53L	2126-765-53R



To get product 3D models freely, Please contact info@yeekaco.com

2A-026



锌合金扭矩铰链, 不锈钢销轴
Zinc screw-in torque hinge, SUS pin

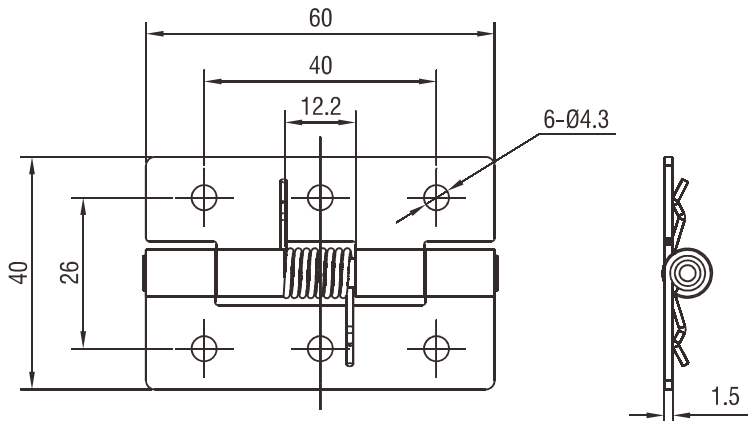
对称扭矩 N. m Symmetric N.m	沉孔型 Screw-on Hinge		M6镶嵌螺柱型 With Threaded Studs M6	
	麻面黑 Black Textured Powder Coated		麻面黑 Black Textured Powder Coated	
1.8	2127-5180-20		2127-5181-20	
2.3	2127-5230-20		2127-5231-20	
3.4	2127-5340-20		2127-5341-20	

螺钉固定铰链

Screw-on Hinge

产品系列: 2128、2129、2132

yeeka



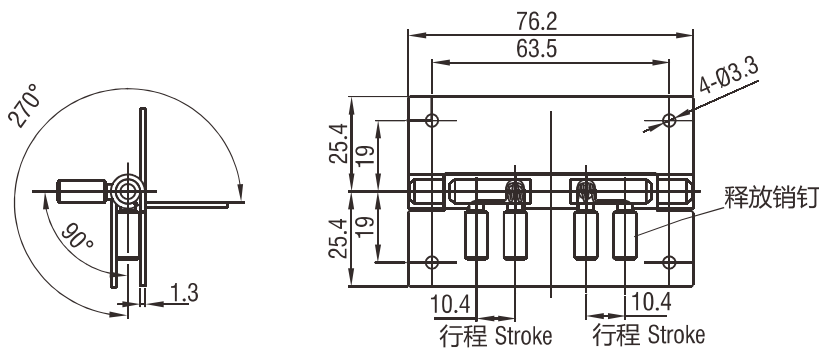
全不锈钢304材质
SUS304 Material

不锈钢304 SUS304	2128-600-304
---------------	--------------



目录
Index

铰链
Hinges

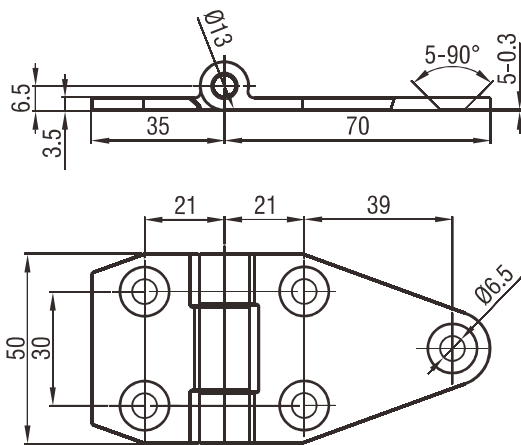


镀锌钢或不锈钢304材质
M.S.Zinc plated or stainless steel

不锈钢304 SUS304	镀锌钢Steel
2129-762-304	2129-762-01



To get product 3D models freely, Please contact info@yeekaco.com

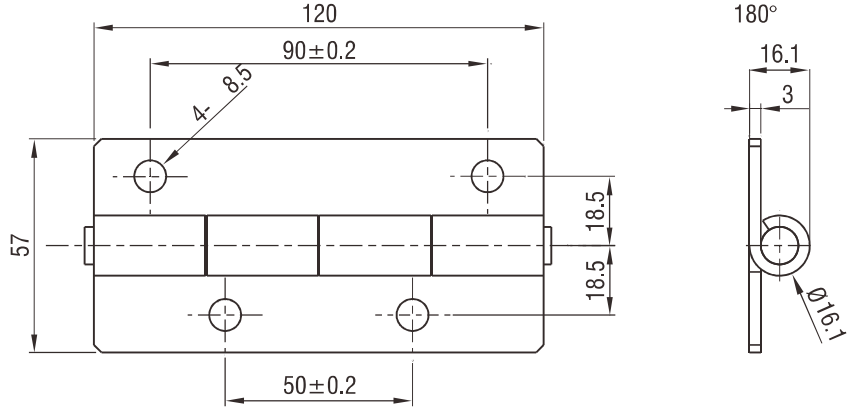


铸钢 Steel casting, zinc plated

铸钢 Steel casting, zinc plated	2132-500-01
-------------------------------	-------------

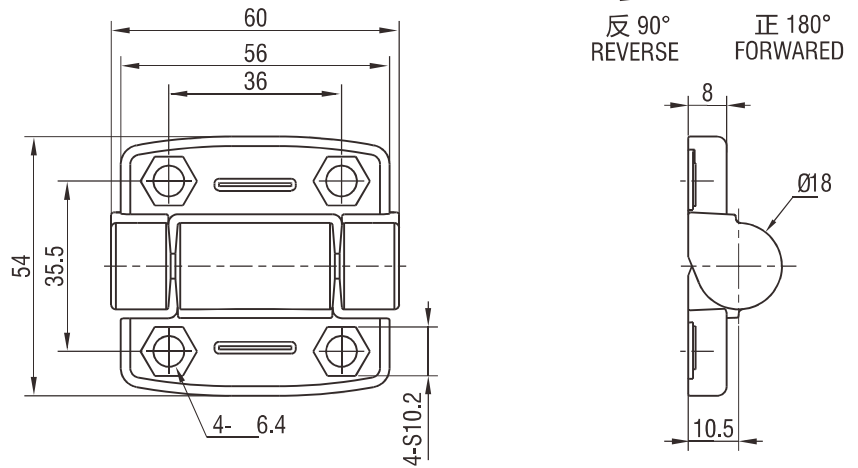


2A-028



全不锈钢304材质
SUS304 Material

不锈钢304 SUS304	2133-120-304
---------------	--------------



PA6+30%GF,黑色,轴承钢。
PA6+30%GF Black, bearing steel

不对称扭矩 N.m Asymmetric N.m		
正向扭矩 N.m Forward Torque N.m	反向扭矩 N.m Reverse Torque N.m	塑料黑色 PA Black
2.3	0.3	2135-6023F-90
0.3	2.3	2135-6003R-90

注:
1.动/静铰链相对转动具扭矩力, 力值范围允许±20%;
2.寿命试验次数数据: 20000次;

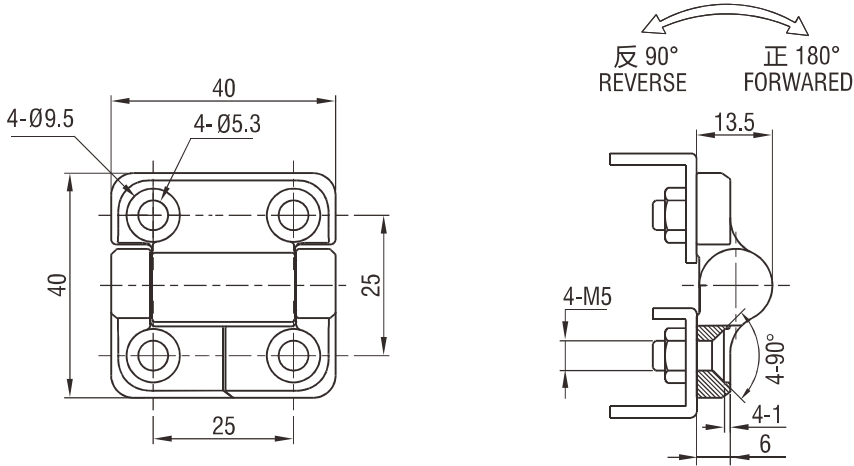
Technical requirements:
1.Within 20% of torque specification;
2.Within 20, 000 cycles static torque stay;

螺钉固定扭矩铰链 Screw-on Torque Hinge

产品系列: 2136

yeeka

M5 沉头螺钉固定 Countersunk Screw M5

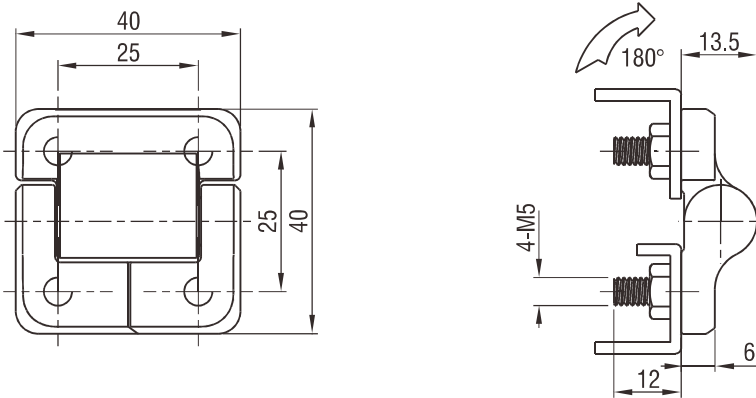


目录
Index

铰链
Hinges



M5 镶嵌螺柱 With Threaded Studs M5



锌合金扭矩铰链, 不锈钢销轴
Zinc screw-in torque hinge, SUS pin

对称扭矩 N.m Symmetric N.m

麻面黑 Black Textured Powder Coated

	M5 沉头螺钉固定 Countersunk Screw M5	M5 镶嵌螺柱 With Threaded Studs M5
自由摆动 Free Operating	2136-4000-20	2136-4100-20
0.9	2136-4009-20	2136-4109-20
1.4	2136-4014-20	2136-4114-20
1.8	2136-4018-20	2136-4118-20
2.3	2136-4023-20	2136-4123-20

注:
寿命试验次数数据: 25000次

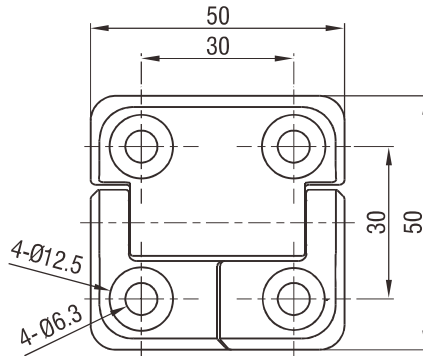
CYCLE LIFE:
Within 25, 000 cycles static torque stay
Within ±20% of torque specification.

To get product 3D models freely, Please contact info@yeekaco.com

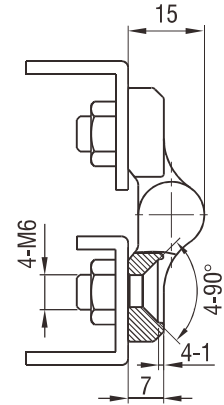
2A-030



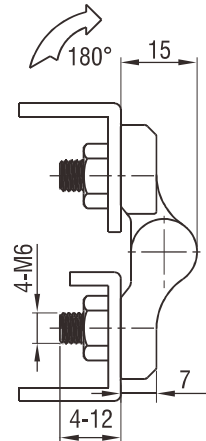
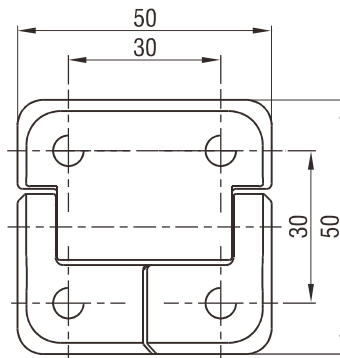
M6 沉头螺钉固定 Countersunk Screw M6



反 90° REVERSE
正 180° FORWARDED



M6 镶嵌螺柱 With Threaded Studs M6



锌合金扭矩铰链, 不锈钢销轴
Zinc screw-in torque hinge, SUS pin

对称扭矩 N.m Symmetric N.m

麻面黑 Black Textured Powder Coated		
	M6 沉头螺钉固定 Countersunk Screw M6	M6 镶嵌螺柱 With Threaded Studs M6
自由摆动 Free Operating	2136-5000-20	2136-5100-20
1.8	2136-5018-20	2136-5118-20
2.3	2136-5023-20	2136-5123-20
3.4	2136-5034-20	2136-5134-20

不对称扭矩 N.m Asymmetric N.m

麻面黑 Black Textured Powder Coated			
向前扭矩 N.m Forward Torque N.m	反向扭矩 N.m Reverse Torque N.m	M6 沉头螺钉固定 Countersunk Screw M6	M6 镶嵌螺柱 With Threaded Studs M6
2.3	1.4	2136-5023F-20	2136-5123F-20
3.4	2.0	2136-5034F-20	2136-5134F-20
4.5	2.7	2136-5045F-20	2136-5145F-20
1.4	2.3	2136-5014R-20	2136-5114R-20
2.0	3.4	2136-5020R-20	2136-5120R-20
2.7	4.5	2136-5027R-20	2136-5127R-20

注:
寿命试验次数数据: 25000次

CYCLE LIFE:
Within 25,000 cycles static torque stay
Within±20% of torque specification.

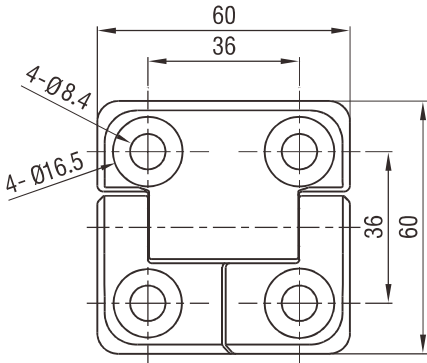
螺钉固定扭矩铰链

Screw-on Torque Hinge

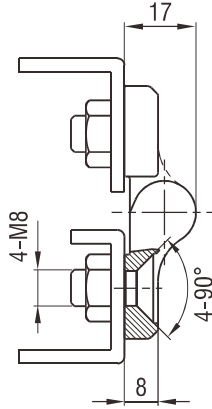
产品系列: 2136

yeeka

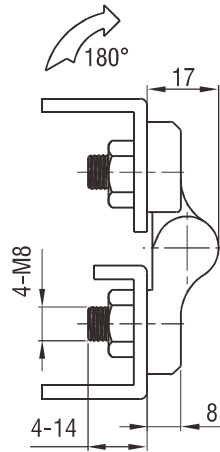
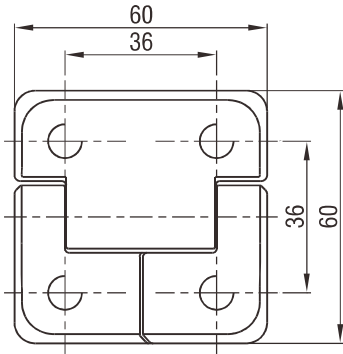
M8 沉头螺钉固定 Countersunk Screw M8



反 90° REVERSE 正 180° FORWARDED



M8 镶嵌螺柱 With Threaded Studs M8



锌合金扭矩铰链, 不锈钢销轴
Zinc screw-in torque hinge, SUS pin

对称扭矩 N.m Symmetric N.m

麻面黑 Black Textured Powder Coated		
	M8 沉头螺钉固定 Countersunk Screw M8	M8 镶嵌螺柱 With Threaded Studs M8
自由摆动 Free Operating	2136-6000-20	2136-6100-20
1.36	2136-6013-20	2136-6113-20
2.26	2136-6022-20	2136-6122-20
3.16	2136-6031-20	2136-6131-20
4.07	2136-6040-20	2136-6140-20

不对称扭矩 N.m Asymmetric N.m

麻面黑 Black Textured Powder Coated			
向前扭矩 N.m Forward Torque N.m	反向扭矩 N.m Reverse Torque N.m	M8 沉头螺钉固定 Countersunk Screw M8	M8 镶嵌螺柱 With Threaded Studs M8
2.3	1.4	2136-6023F-20	2136-6123F-20
3.2	1.9	2136-6032F-20	2136-6132F-20
4.1	2.4	2136-6041F-20	2136-6141F-20
5	3	2136-6050F-20	2136-6150F-20
1.4	2.3	2136-6014R-20	2136-6114R-20
1.9	3.2	2136-6019R-20	2136-6119R-20
2.4	4.1	2136-6024R-20	2136-6124R-20
3	5	2136-6030R-20	2136-6130R-20



目录
Index

铰链
Hinges



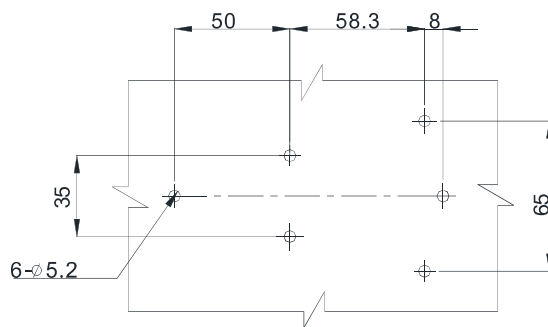
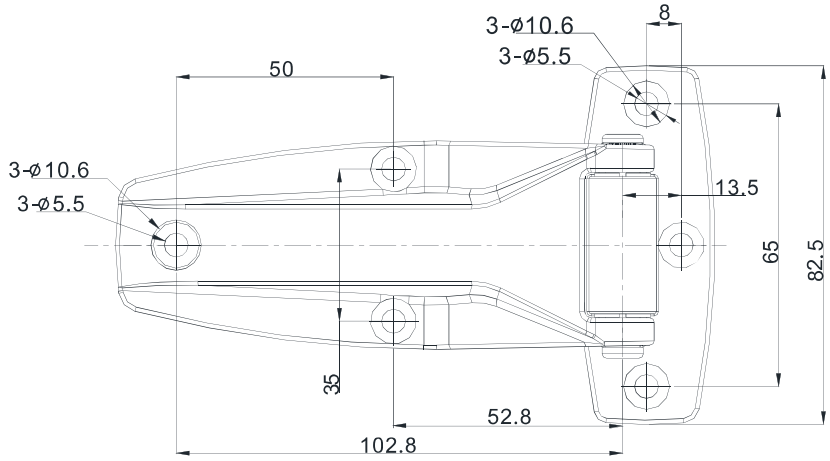
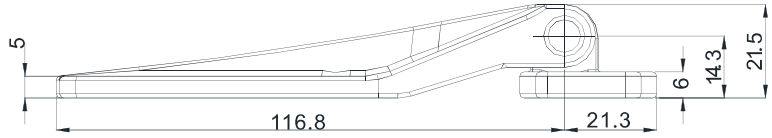
注:
寿命试验次数数据: 25000次

CYCLE LIFE:
Within 25,000 cycles static torque stay
Within±20% of torque specification.

To get product 3D models freely, Please contact info@yeekaco.com

2A-032

NEW



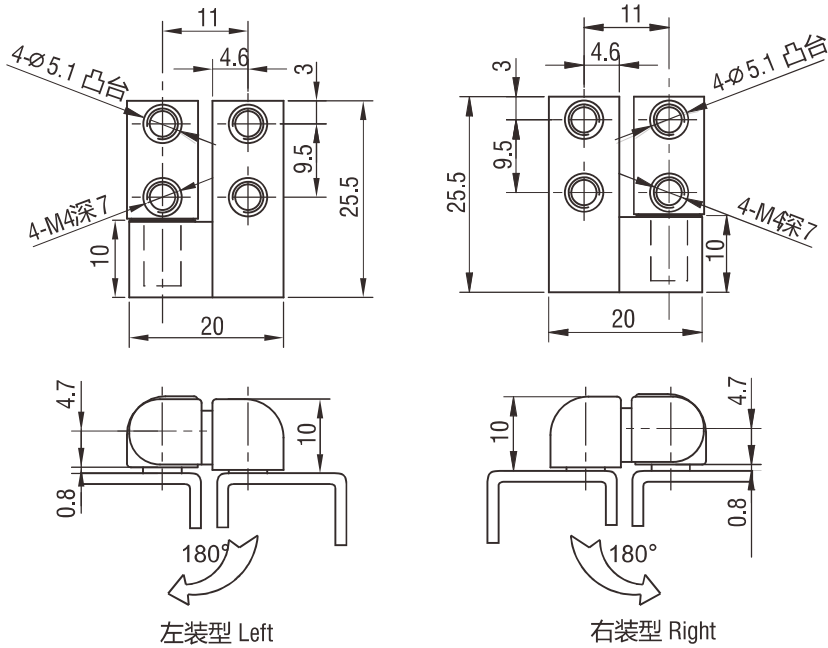
开孔尺寸
Panel Cutout

表面处理 Finish	
亚光黑 Black Powder Coated	2137-830-10
亮铬 Bright Chrome	2137-830-30
不锈钢 304 SUS304	2137-830-304

可拆铰链 Lift-off Hinge

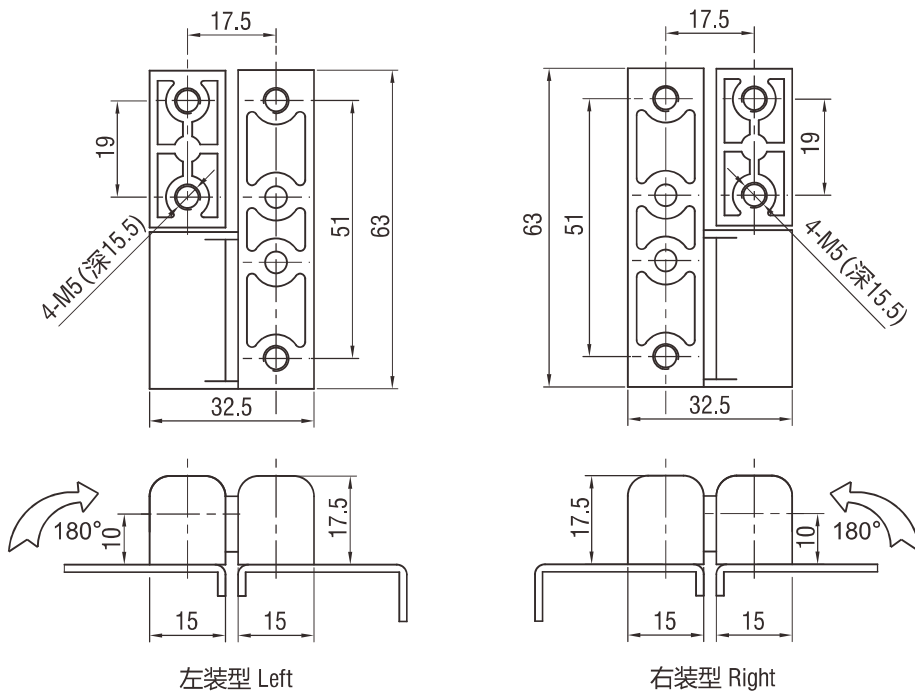
产品系列: 2201

yeeka



锌合金, 表面喷塑
Zinc die, black powder coated

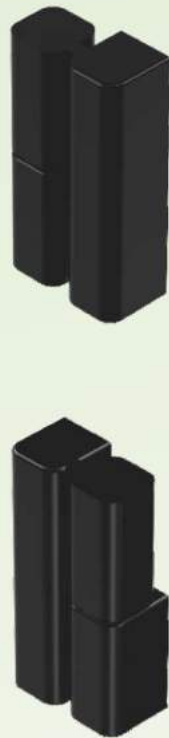
螺丝孔, Screw Hole M4		螺丝孔, Screw Hole 6-32	
A 型 (左装) Version A(Left)	B 型 (右装) Version B(Right)	A 型 (左装) Version A(Left)	B 型 (右装) Version B(Right)
2201-141	2201-142	2201-111	2201-112



锌合金, 表面可做喷塑黑和电镀亮铬
Zinc die, black powder coated or bright chrome

可定制 10-32
10-32 thread is on request

	喷塑黑 Black Powder Coated	亮铬 Bright Chrome
Version A (Left) A 型 (左装)	2201-510-10	2201-510-30
Version B (Right) B 型 (右装)	2201-520-10	2201-520-30

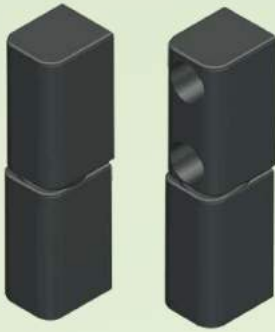


目录
Index

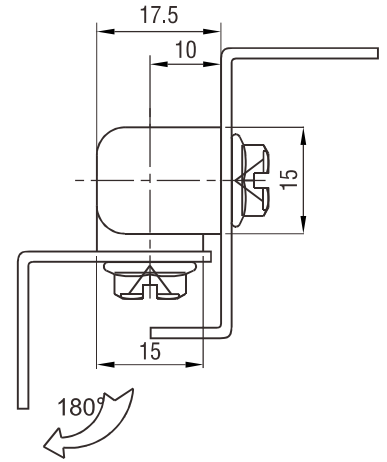
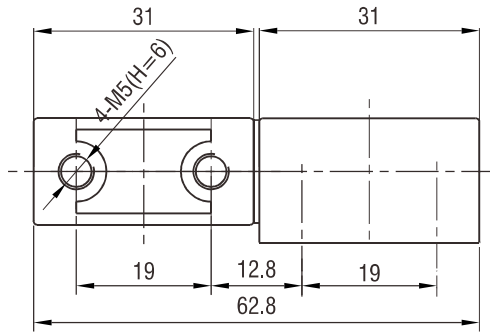
铰链
Hinges

To get product 3D models freely, Please contact info@yeekaco.com

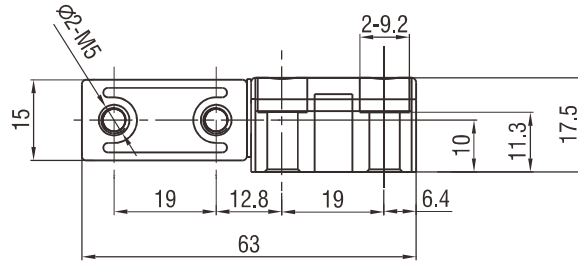
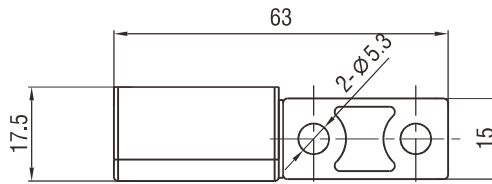
2B-001



A型 Version A

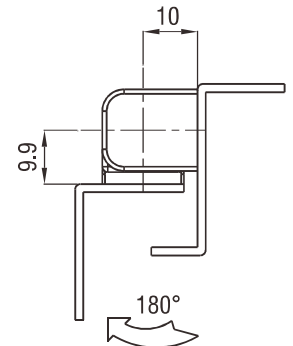
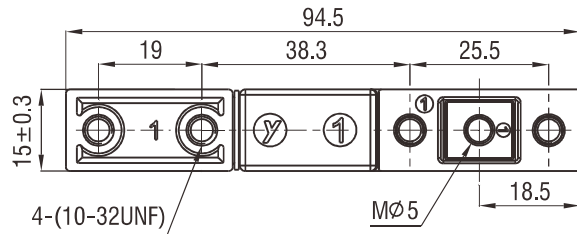


B型 Version B



锌合金, 表面可做喷塑黑和电镀亮铬
Zinc die, black powder coated or bright chrome

	喷塑黑 Black Powder Coated	亮铬 Bright Chrome
Version A A 型	2201-500-10	2201-500-30
Version B B 型	2201-501-10	2201-501-30



锌合金, 表面可做喷塑黑和电镀亮铬
Zinc die, black powder coated or bright chrome.

安装方式 Install Style	螺孔 Tapped Hole	喷塑黑 Black Powder	亮铬 Bright Chrome
正面固定 Front-mount	通孔 Thru hole	2201-572-20	2201-572-30
隐藏式固定 Concealed-mount	M5X0.8	2201-570-220	2201-570-230
	Hinge 10-32	2201-570-120	2201-570-130

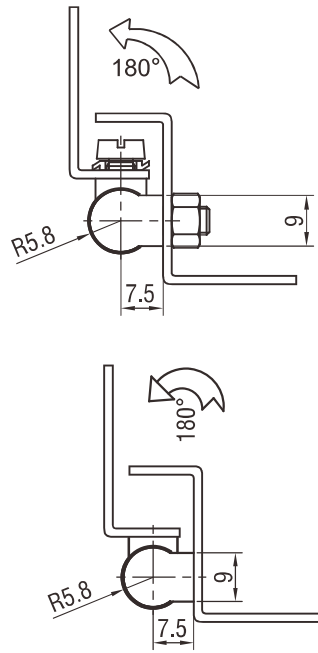
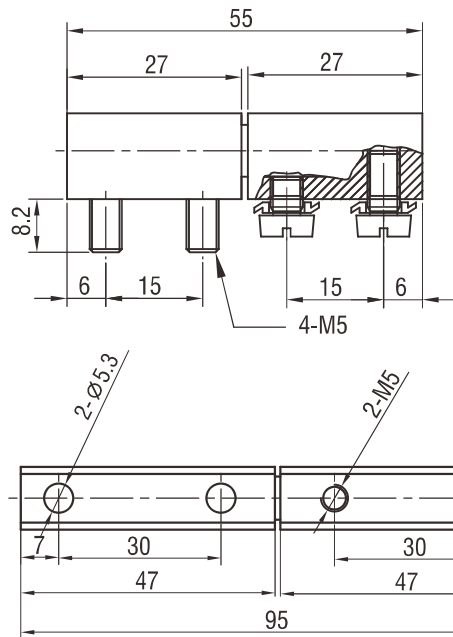
可拆铰链 Lift-off Hinge

产品系列: 2204、2206

yeeka

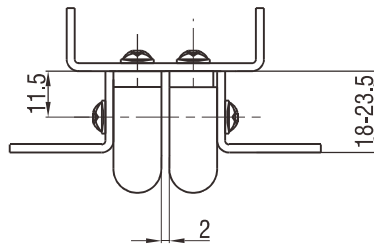
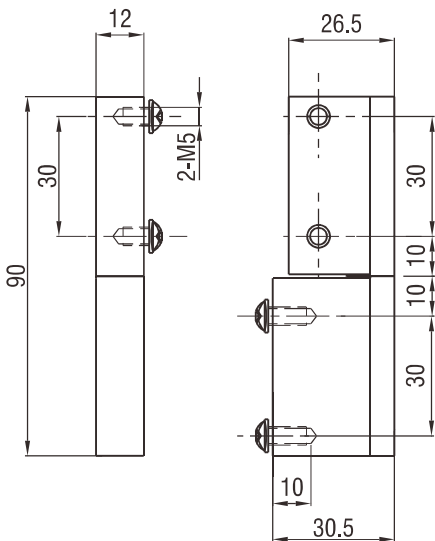
目录
Index

铰链
Hinges



镀锌钢, 不锈钢盖
M.S. zinc plated, SUS cover

长度 Length	
L=55	2204-55
L=95	2204-95



锌合金, 镀锌钢或不锈钢销轴, 表面可做喷塑黑 和电镀亮铬
Zinc die, black powder coated or bright chrome, m.s. zinc plated or SUS pin.

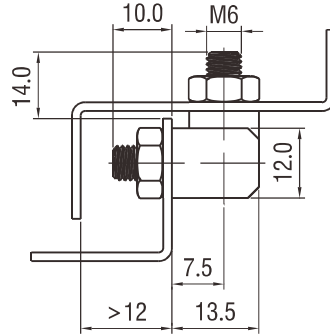
麻面黑 Black Textured Powder Coated	亮铬 Bright Chrome
2206-20	2206-30

To get product 3D models freely, Please contact info@yeekaco.com

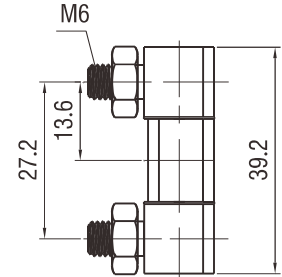
2B-003



小型 Small size



两节
Two Joints

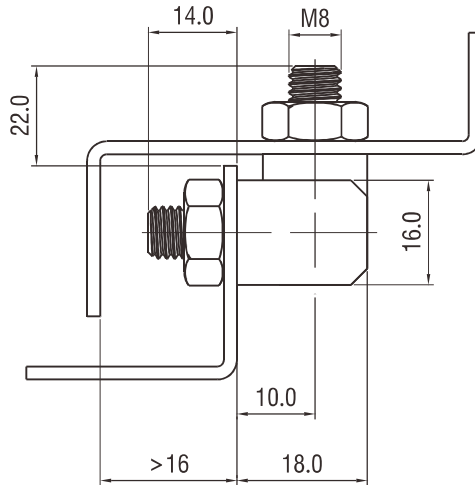


三节
Three Joints

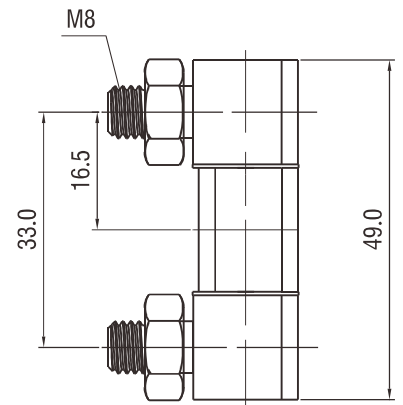
不锈钢或镀锌钢
Stainless steel or m.s. zinc plated

款式 Version	长度 L	不锈钢 Stainless steel	镀锌钢 Steel
两节 Two Joints	L=25.6	2207-256-304	2207-256-01
三节 Three Joints	L=39.2	2207-392-304	2207-392-01

大型 Large size



两节
Two Joints



三节
Three Joints

不锈钢或镀锌钢
Stainless steel or m.s. zinc plated

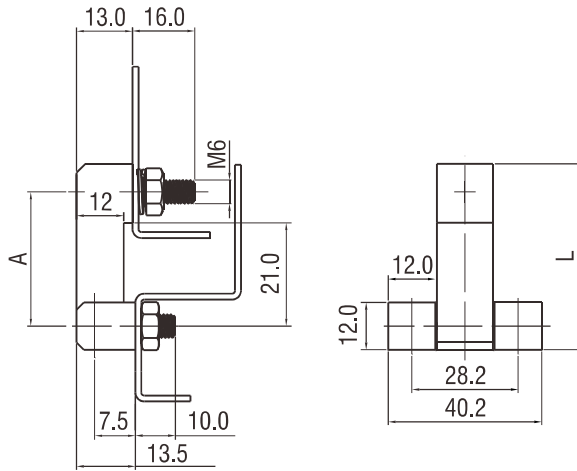
款式 Version	长度 L	不锈钢 Stainless steel	镀锌钢 Steel
两节 Two Joints	L=32.5	2207-325-304	2207-325-01
三节 Three Joints	L=49	2207-490-304	2207-490-01

可拆铰链 Lift-off Hinge

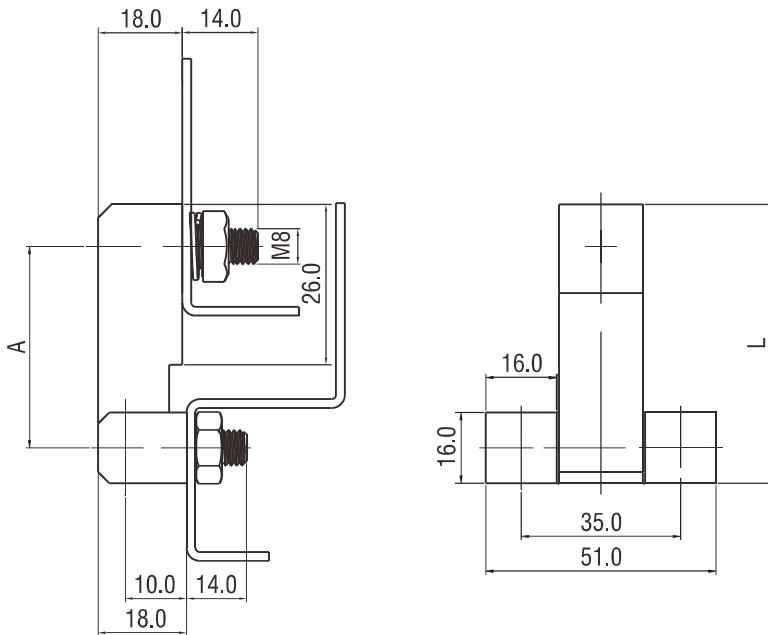
产品系列: 2207

yeeka

小型 Small size

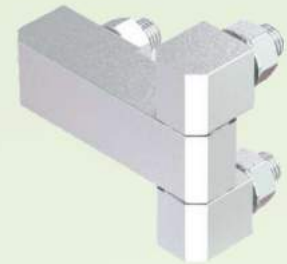


大型 Large size



不锈钢或镀锌钢
Stainless steel or m.s. zinc plated

	款式 Version	长度 L	A	不锈钢 Stainless steel	镀锌钢 Steel
小型 Small size	三节 Three Joints	L=45	30	2207-4530-304	2207-4530-01
		L=53	38	2207-5338-304	2207-5338-01
大型 Large Size	三节 Three Joints	L=50	29	2207-5029-304	2207-5029-01
		L=61	40	2207-6140-304	2207-6140-01

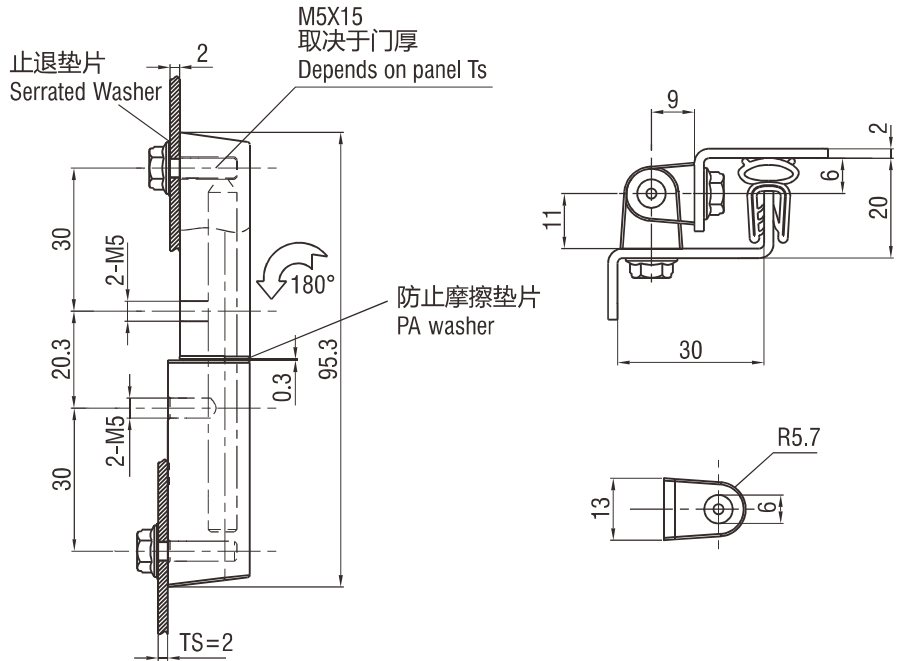


目录
Index

铰链
Hinges

To get product 3D models freely, Please contact info@yeekaco.com

2B-005



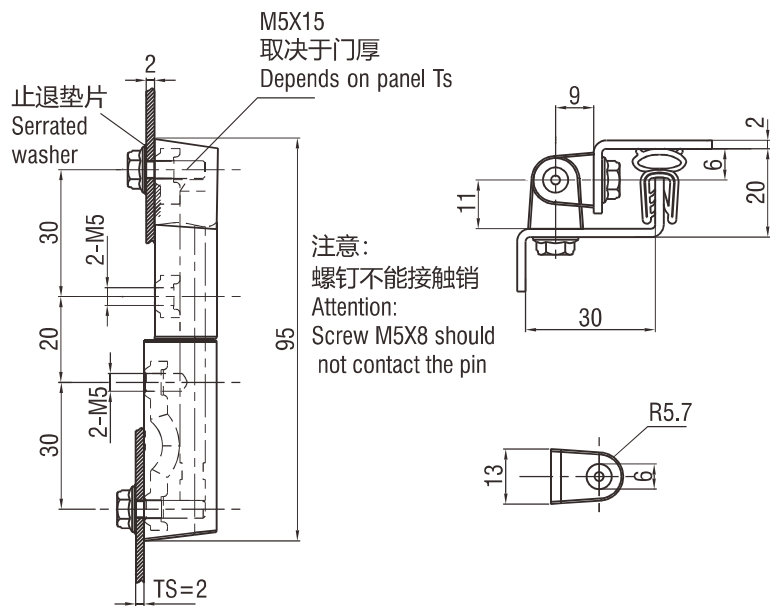
锌合金, 镀锌钢或不锈钢销轴, 表面可做喷塑黑 和电镀亮铬
Zinc die, black powder coated or bright chrome, m.s. zinc plated or SUS pin.

麻面黑 Black Textured Powder Coated

亮铬 Bright Chrome

2208-20

2208-30



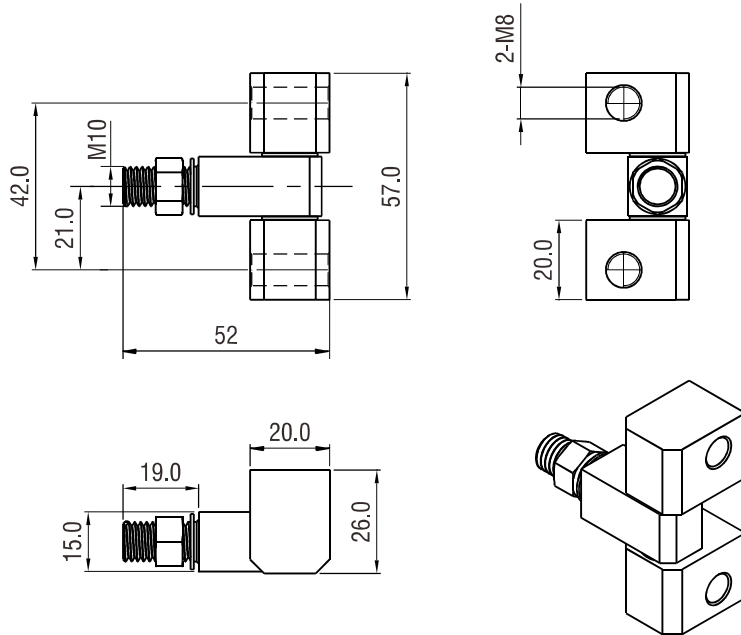
黑色PA GF30%, 未处理钢镶嵌件, 不锈钢销轴
Black PA GF30% body, untreated steel fully molded-in,
stainless steel pin

2208-PA

可拆铰链 Lift-off Hinge

产品系列: 2210、2211

yeeka



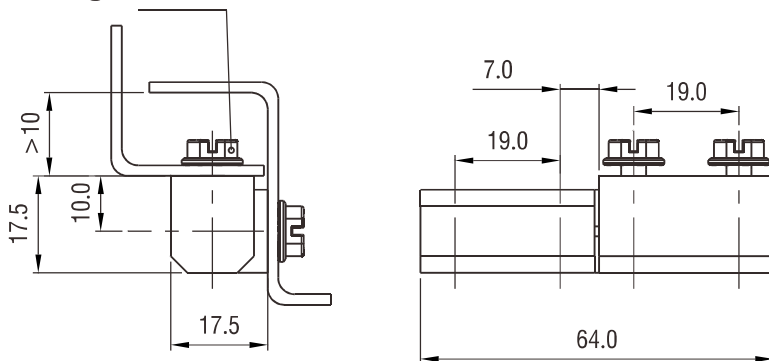
不锈钢或镀锌钢
Stainless steel or m.s. zinc plated

款式 Version	长度 Length	不锈钢 Stainless Steel	镀锌钢 Steel
三节 Three Joints	L=57.0	2210-570-304	2210-570-01



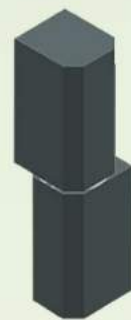
目录
Index

铰链
Hinges



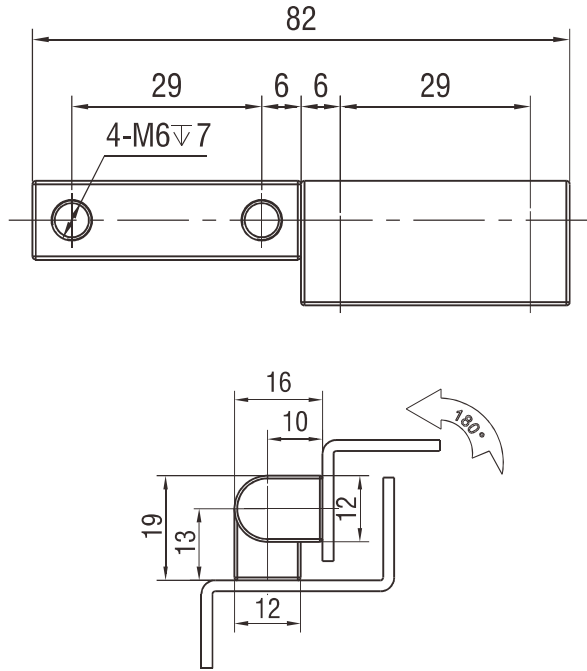
锌合金镀锌钢或不锈钢销轴，表面可做喷塑或电镀亮铬。
zinc die,m.s. zinc plated or sus pin,black powder coated or bright chrome

表面处理 Finish	沉头螺钉 Countersunk Screw
喷塑黑 Black Powder Coated	2211-500-10
亮铬 Bright Chrome	2211-500-30
不锈钢 316 SUS 316	2211-500-316



To get product 3D models freely, Please contact info@yeekaco.com

2B-007

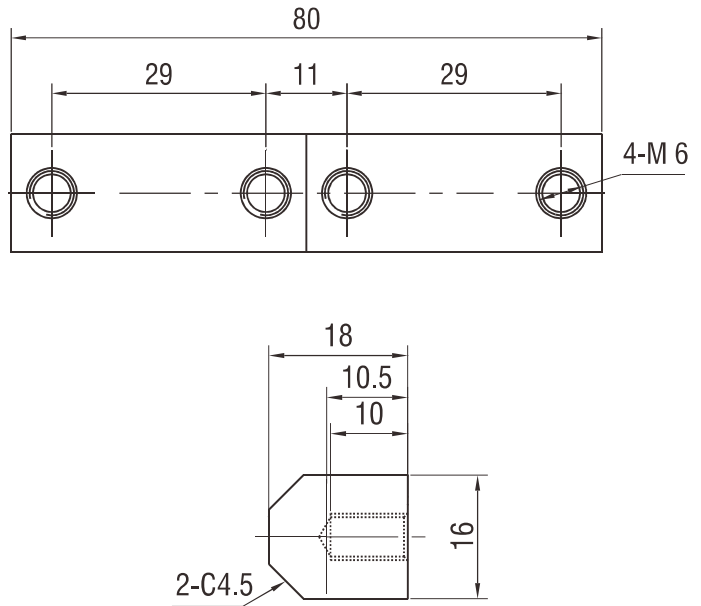


全不锈钢材质
SUS material

中心距 Center Distance

L=29

2213-29-304



全不锈钢材质
SUS material

长度 Length

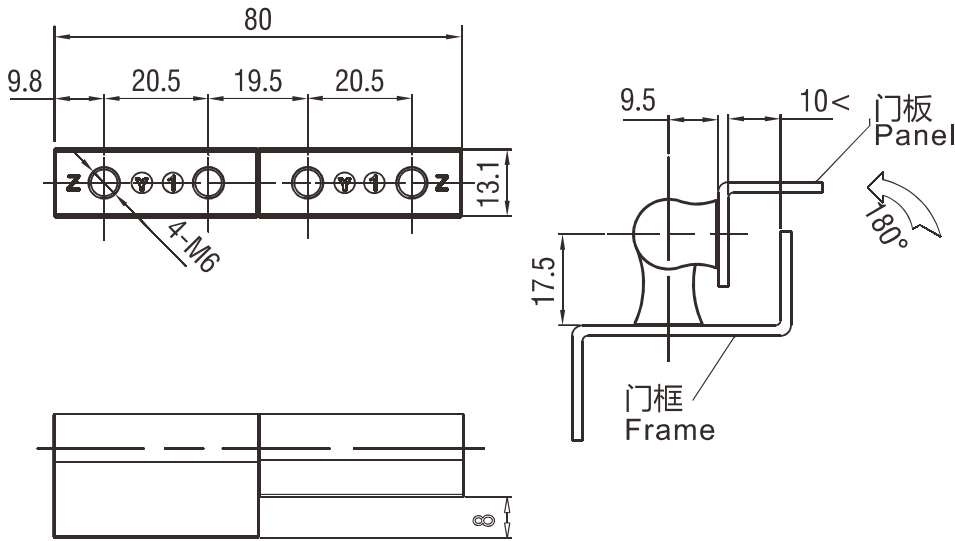
L=80

2214-800-316

可拆铰链 Lift-off Hinge

产品系列: 2215、2217

yeeka



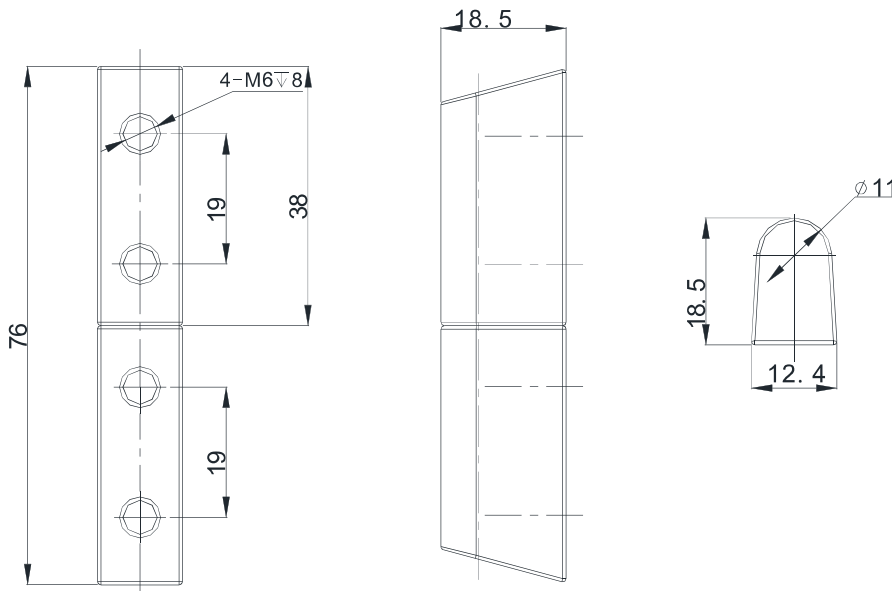
锌合金铰链镀亮铬,铁销轴镀镍,可做全不锈钢材质
Zinc die, bright chrome, nickel plated pin, or full stainless steel

电镀亮铬Bright Chrome	不锈钢 316 SUS316
2215-800-30	2215-800-316



目录
Index

铰链
Hinges



全不锈钢材质
SUS material

长度 Length	
L=76	2217-760-316

NEW

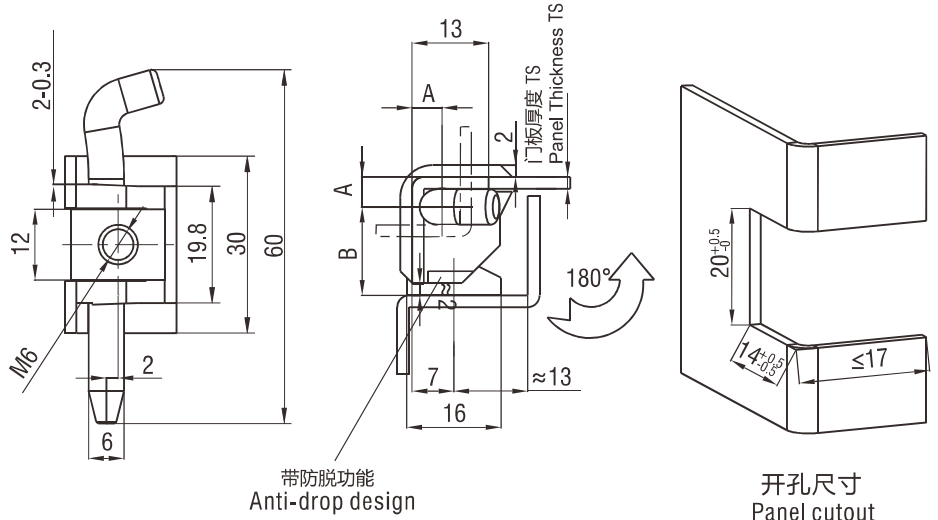


To get product 3D models freely, Please contact info@yeekaco.com

2B-009



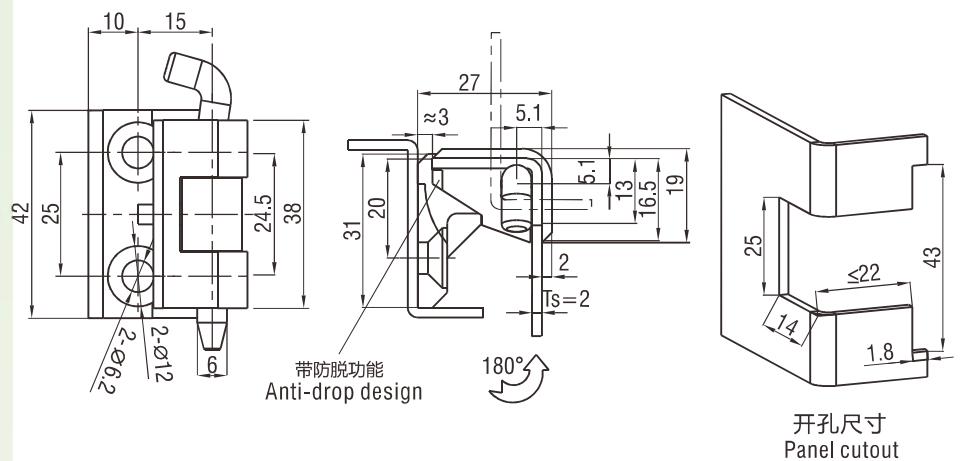
NEW



锌合金, 镀锌钢或不锈钢销轴, 表面可做喷塑黑和电镀亮铬

Zinc die, m.s. zinc plated or SUS pin, black textured powder coated or bright chrome

门板厚度 TS Panel Thickness TS	A	B	喷塑黑 Black Powder Coated	亮铬 Bright Chrome
1.5	4.6	15	2305-15-20	2305-15-30
2.0	5.1	15	2305-20-20	2305-20-30
1.5	4.6	17	2305-1517-20	2305-1517-30
2.0	5.1	17	2305-2017-20	2305-2017-30
1.5	4.6	19	2305-1519-20	2305-1519-30
2.0	5.1	19	2305-2019-20	2305-2019-30



锌合金, 镀锌钢或不锈钢销轴, 表面可做喷塑黑和电镀亮铬

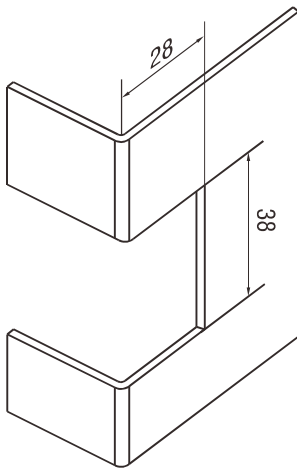
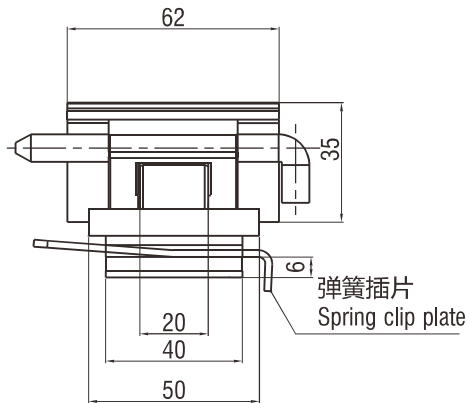
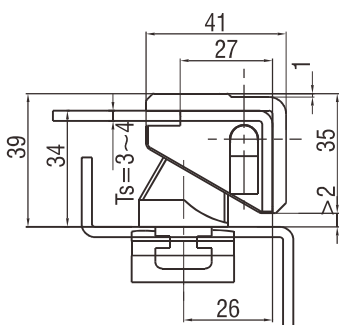
Zinc die, m.s. zinc plated or SUS pin, black textured powder coated or bright chrome

门板厚度 Panel Thickness	麻面黑 Black Textured Powder Coated	亮铬 Bright Chrome
Ts=1.50mm	2306-15-20	2306-15-30
Ts=2.00mm	2306-20-20	2306-20-30

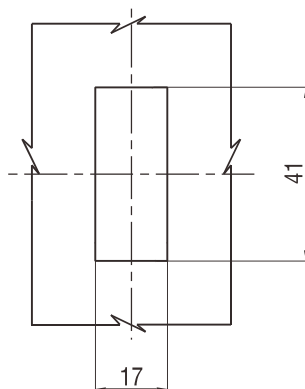
外装铰链 External Hinge

产品系列: 2307

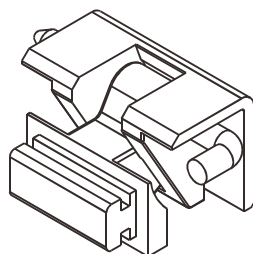
yeeka



开孔尺寸
Panel cutout



开孔尺寸
Panel cutout



锌合金, 镀锌钢销轴和弹簧插片
Zinc die, m.s. zinc plated pin and clip plate black power coated or black E-coating

喷塑黑 Black Powder Coated

2307-01-10

电泳黑 Black E-Coated

2307-01-50



目录
Index

铰链
Hinges



产品正在开发中
2020年12月份开始供
Under development,
shall be available on
December, 2020.

To get product 3D models freely, Please contact info@yeekaco.com

2C-002



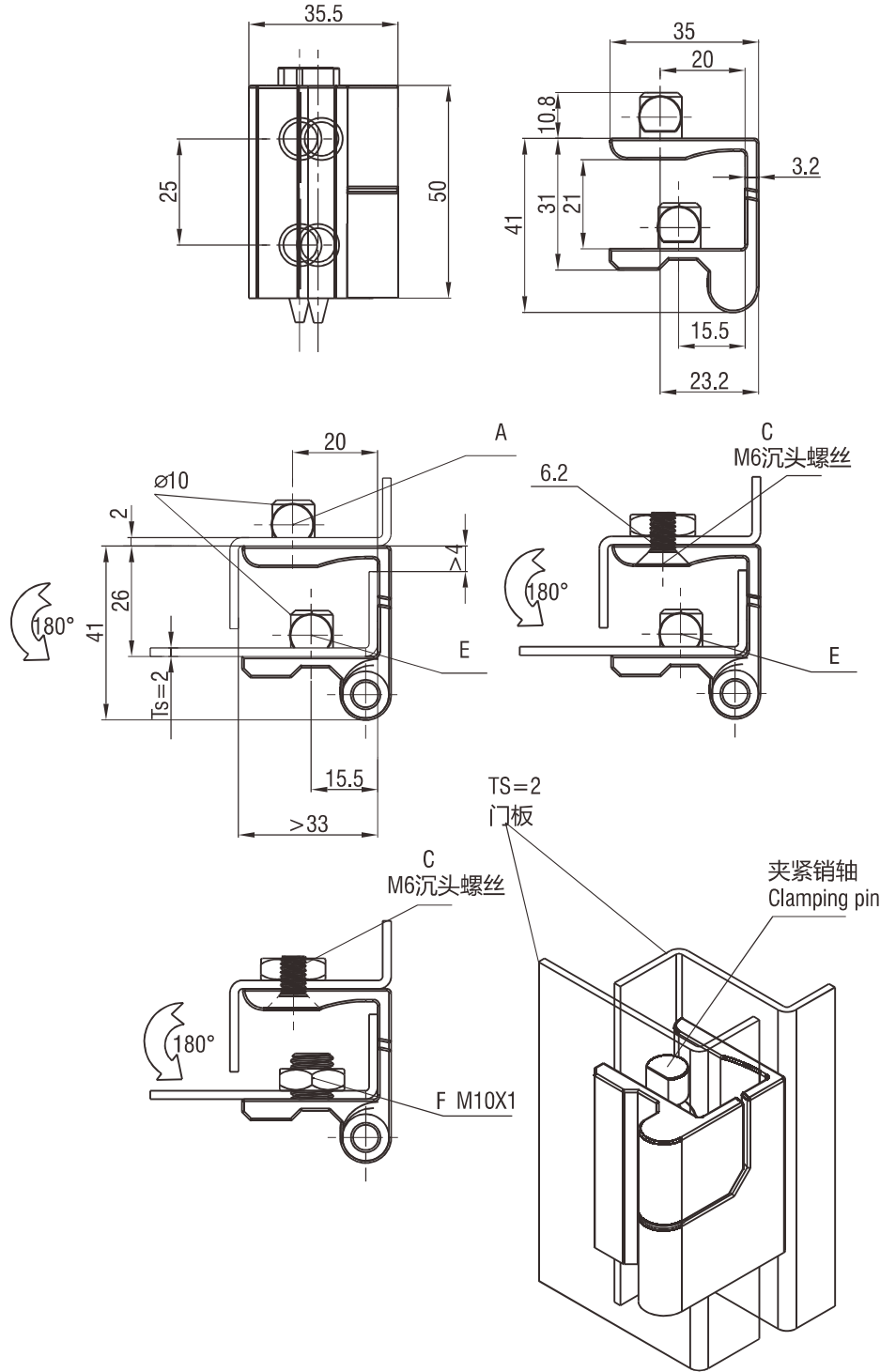
A+E型



C+E型



C+F型



锌合金铰链, 不锈钢销轴, 表面喷塑麻黑, 或全不锈钢材
Zinc die, stainless steel pin, Black textured powder coated, or full stainless steel material

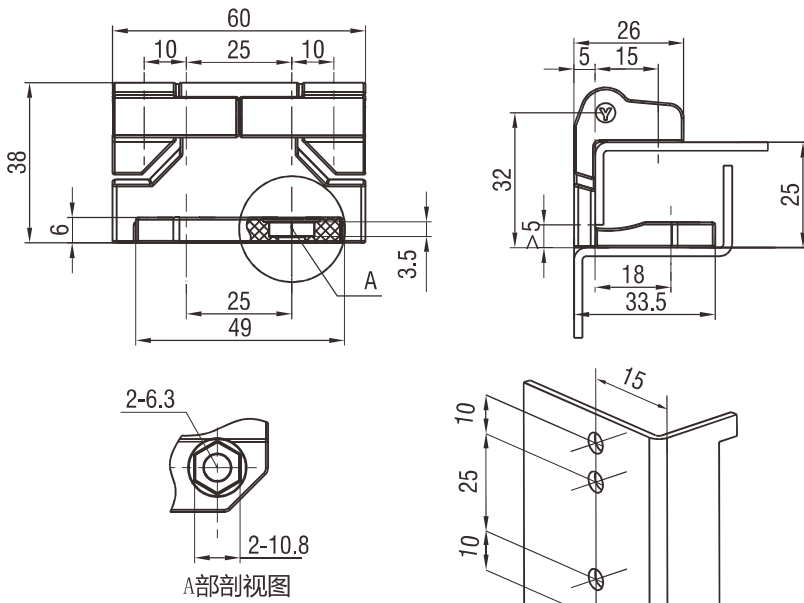
如需获得产品3D模型图, 请联系 info@yeekaco.com

型式	全锌合金 Zinc die		铁框件, 锌合金门件 Steel frame leaf, zinc die door leaf		全不锈钢 SUS 316	
	Version(Left) 左装	Version(Right) 右装	Version(Left) 左装	Version(Right) 右装	Version(Left) 左装	Version(Right) 右装
A+E	2308-111AE-20	2308-112AE-20				
C+E	2308-111CE-20	2308-112CE-20	2308-111CE-120	2308-112CE-120		
C+F	2308-111CF-20	2308-112CF-20	2308-111CF-120	2308-112CF-120	2308-111CF-316	2308-112CF-316

外装铰链 External Hinge

产品系列: 2309、2310

yeeka



锌合金, 镀锌钢或不锈钢销轴, 表面喷塑黑
Zinc die, black powder coated, m.s. zinc plated or SUS pin.

喷塑黑 Black Powder Coated

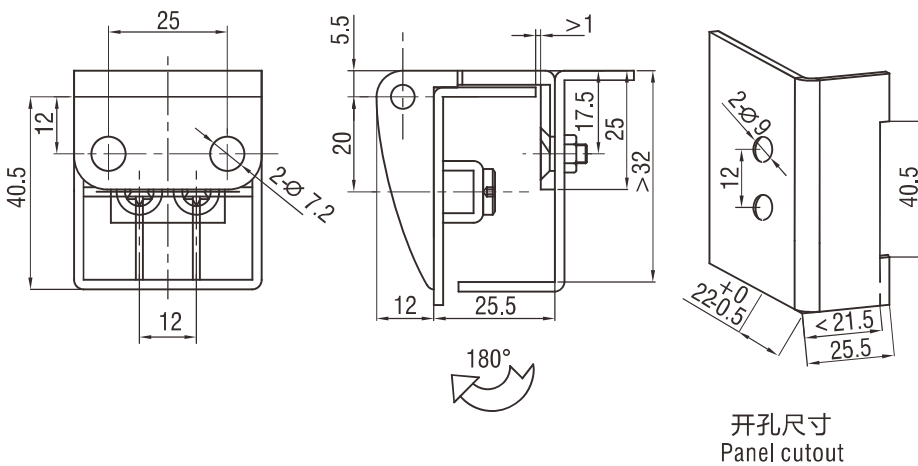
2309-10

开孔尺寸
Panel cutout



目录
Index

铰链
Hinges



锌合金, 镀锌钢或不锈钢销轴, 表面喷塑
Zinc die, black powder coated, m.s. zinc plated or SUS pin.

喷塑黑 Black Powder Coated

蓝绿色 Blue green powder coated

皱纹黑

2310-02-10

2310-02-60

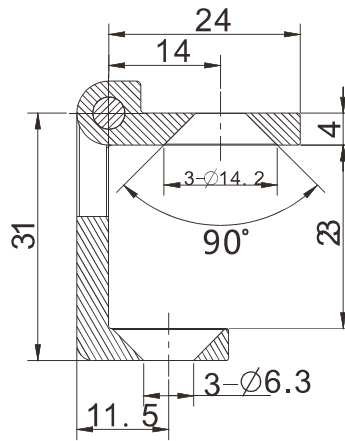
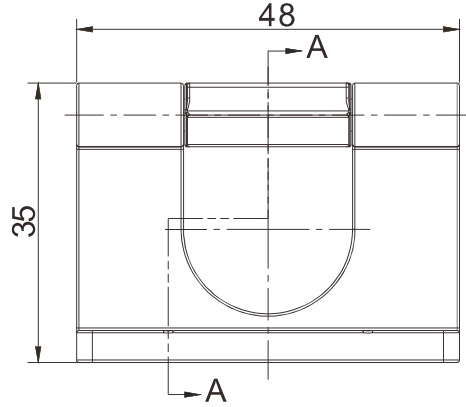
2310-02-70

开孔尺寸
Panel cutout

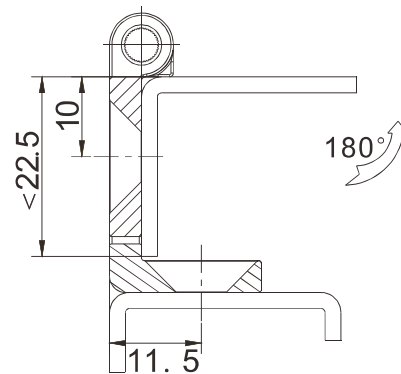


To get product 3D models freely, Please contact info@yeekaco.com

2C-004



剖面 A-A



锌合金, 镀锌钢或不锈钢销轴, 表面可做亚光黑
Zinc die, m.s. zinc plated or SUS pin, black powder coated

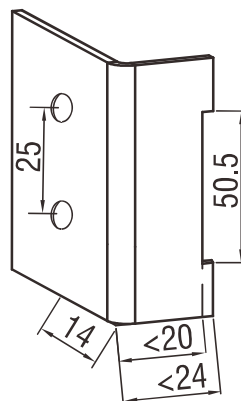
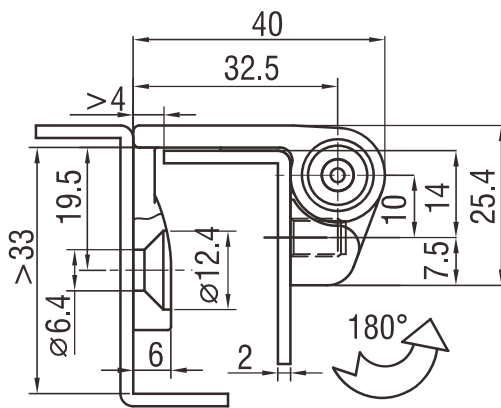
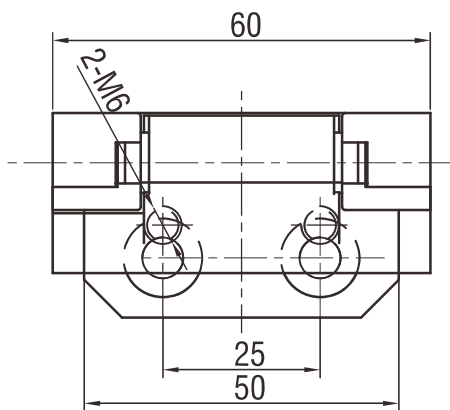
亚光黑 Black Powder Coated

2311-02-10

外装铰链 External Hinge

产品系列: 2312

yeeka



开孔尺寸
Panel cutout

锌合金, 塑料销轴, 表面喷塑黑
Zinc die, black textured powder coated, PA pin.

麻面黑 Black Textured Powder Coated

2312-20



此产品不对德国区域销售。
This product is not available for selling to Germany.

目录
Index

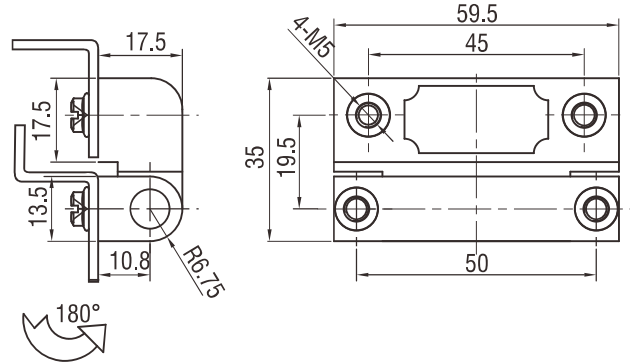
铰链 Hinges

To get product 3D models freely, Please contact info@yeekaco.com

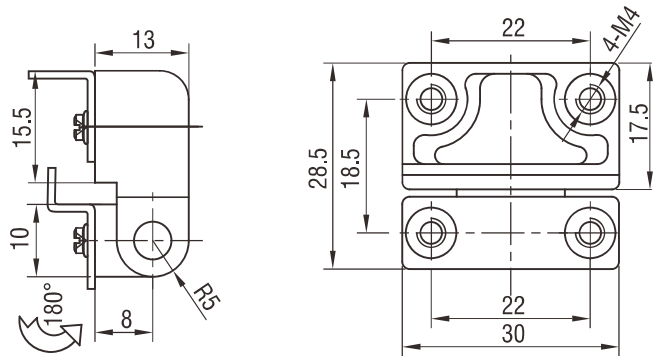
2C-006



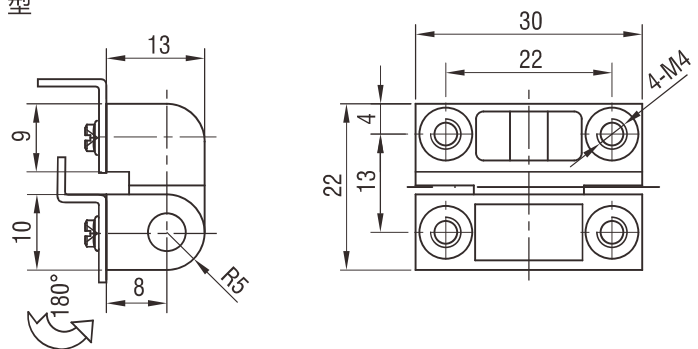
Version A A 型



Version B B 型



Version C C 型



锌合金，镀锌钢或不锈钢销轴，表面可做喷塑黑和电镀亮铬
Zinc die, m.s. zinc plated or SUS pin, black powder coated or bright chrome.

	喷塑黑 Black Powder Coated	亮铬 Bright Chrome	沙铬 Satin Chrome
A 型 Version A	2315-350-10	2315-350-30	2315-350-40
B 型 Version B	2315-285-10	2315-285-30	2315-285-40
C 型 Version C	2315-220-10	2315-220-30	2315-220-40

外装铰链 External Hinge

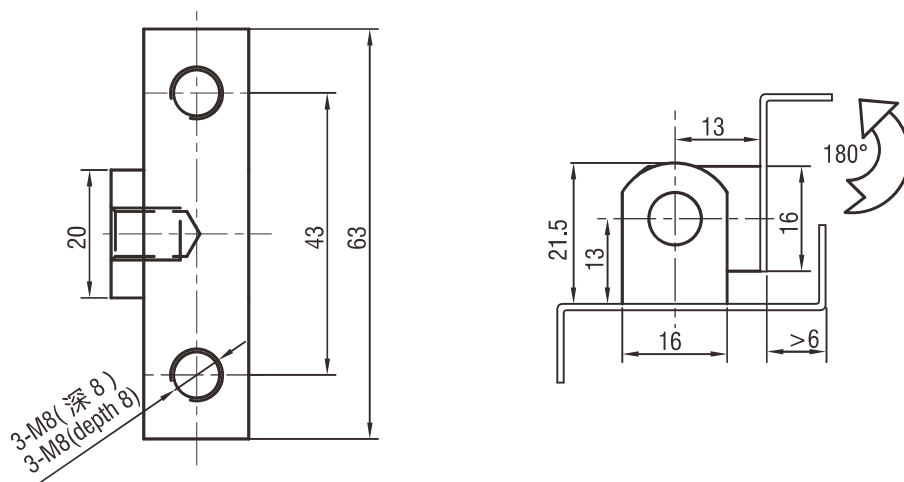
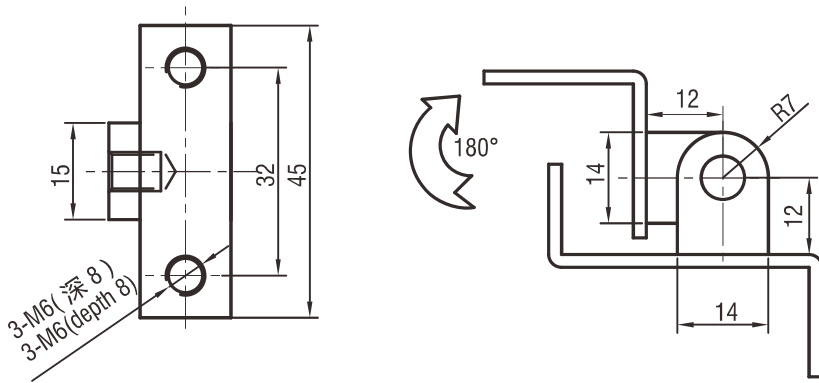
产品系列: 2316

yeeka



目录
Index

铰链
Hinges



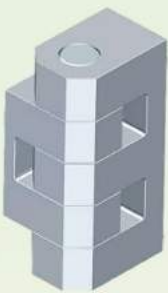
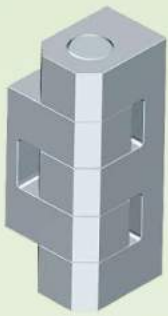
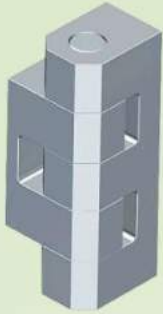
锌合金, 镀锌钢或不锈钢销轴, 表面可做喷塑和电镀亮铬
Zinc die, m.s. zinc plated or SUS pin, black powder coated or bright chrome.

长度 L	喷塑黑 Black Powder Coated	亮铬 Bright Chrome
L=45	2316-45-10	2316-45-30
L=63	2316-63-10	2316-63-30



To get product 3D models freely, Please contact info@yeekaco.com

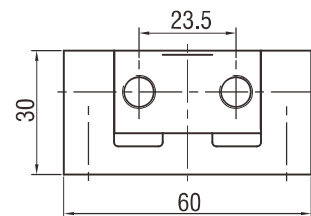
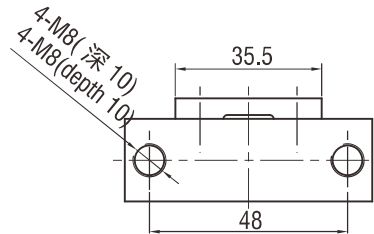
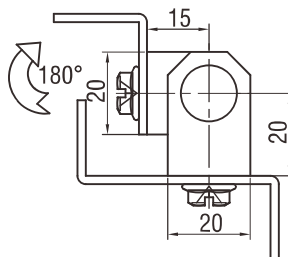
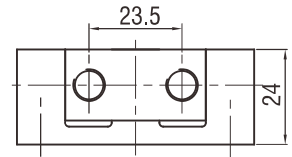
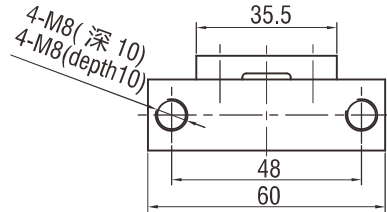
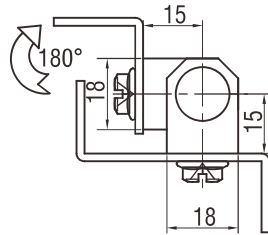
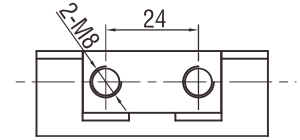
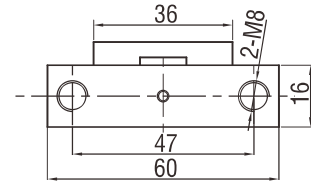
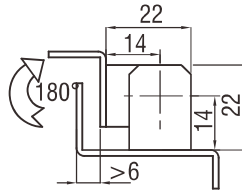
2C-008



产品正在开发中
2020年12月份开始供
Under development,
shall be available on
December, 2020.

如需获得产品3D模型图, 请联系 info@yeekaco.com

2C-009



锌合金, 镀锌钢或不锈钢销轴。
Zinc die, m.s. zinc plated or stainless steel pin.

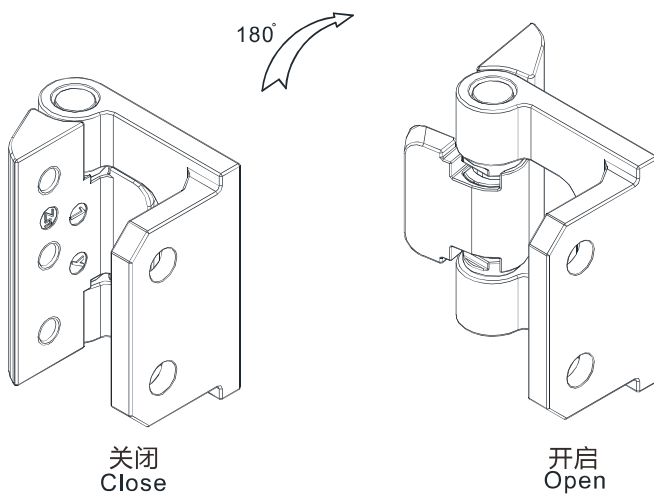
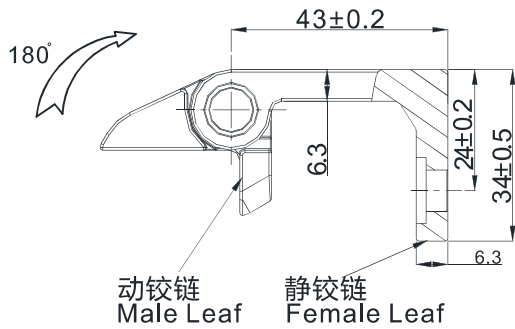
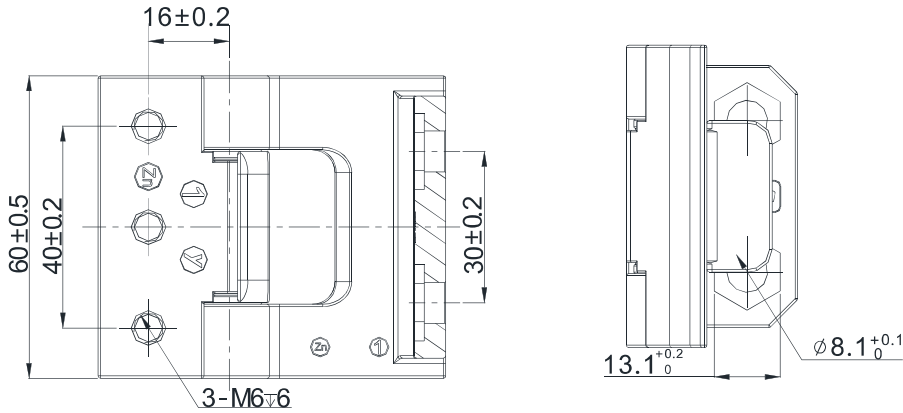
宽度 W	喷塑黑 Black Powder Coated	亮铬 Bright Chrome
W=14	2317-14-10	2317-14-30
W=15	2317-15-10	2317-15-30
W=20	2317-20-10	2317-20-30

外装铰链 External Hinge

产品系列: 2322

yeeka

NEW



锌合金铰链, 不锈钢销轴
Hinge zinc die, m ■ s ■ zinc plated pin

	锌合金 Zinc alloy	铸钢 Steel casting
喷塑 RAL7012 Powder coated RAL7012	2322-01-24	2322-02-24

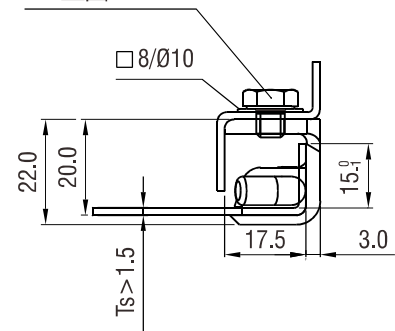
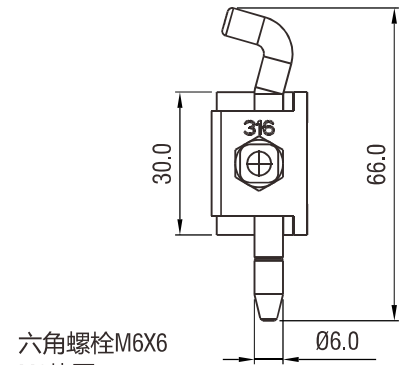
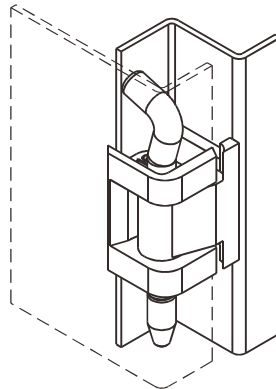
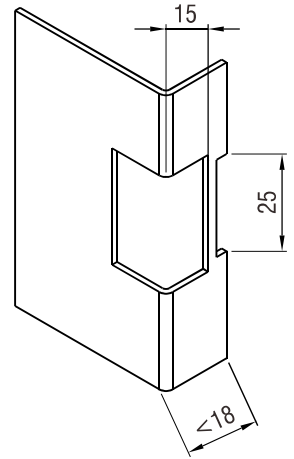
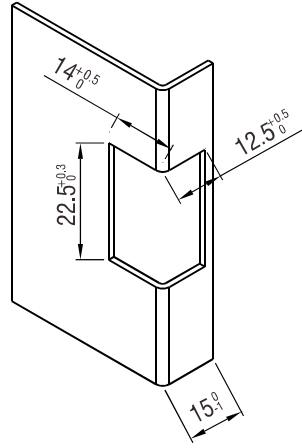
备注: Remark
1. 常规备货: 锌合金款。
1. Stock: Zinc alloy version .

目录
Index

铰链 Hinges

To get product 3D models freely, Please contact info@yeekaco.com

2C-010



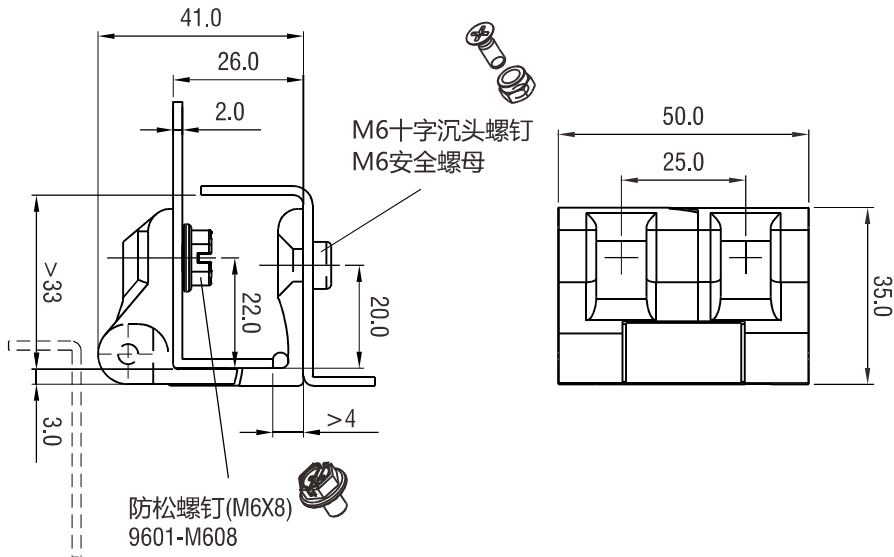
180°不锈钢SUS 316铰链,不锈钢销轴
180° hinge SUS 316, pin SUS 303

门板厚度 Panel Thickness	不锈钢 316 SUS 316
Ts=1.5	2324-15-316
Ts=2.0	2324-20-316

外装铰链 External Hinge

产品系列: 2326

yeeka



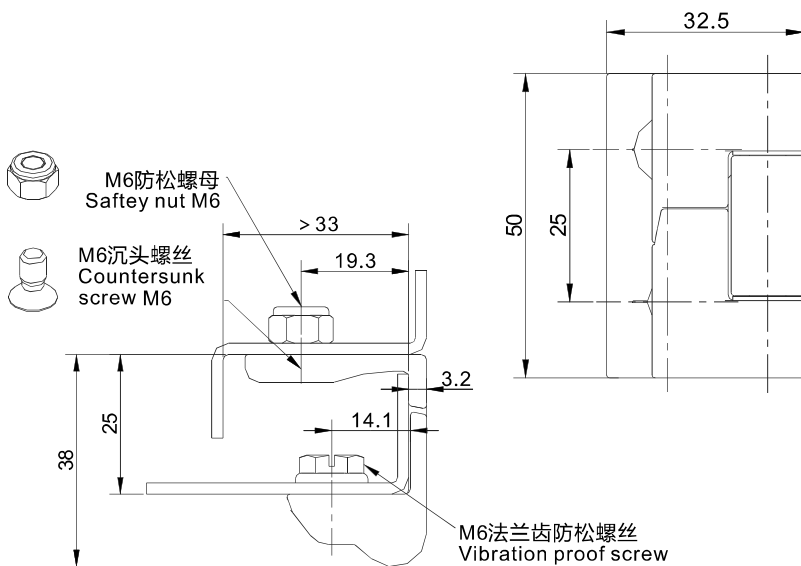
180°锌合金铰链,镀锌钢销轴和青铜垫圈
180°hinge zinc die; m. s. zinc plated pin; brass washer

表面处理 Finish	麻面黑 Black Textured Powder Coated
锌合金 Zinc Die	2326-500-20

目录 Index
铰链 Hinges



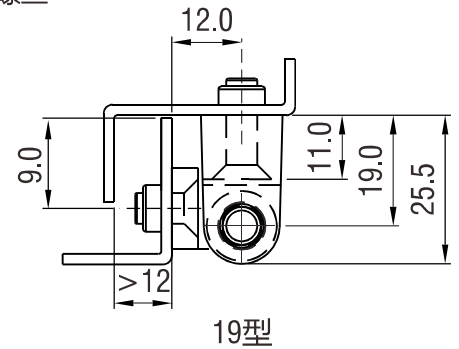
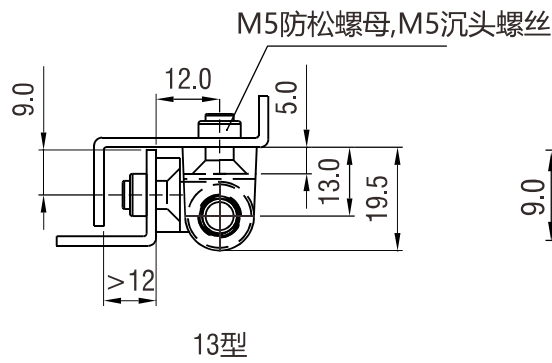
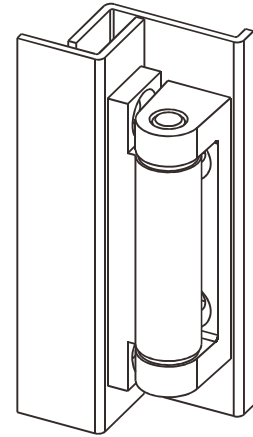
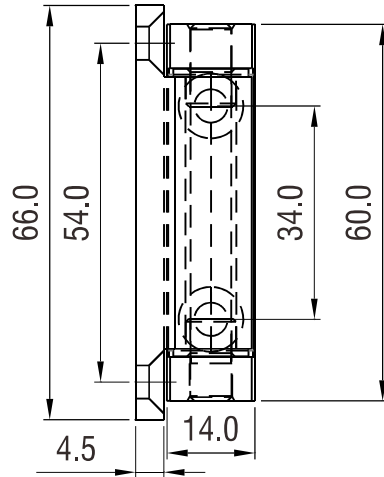
注:
Remark:
The components need to order separately



180°锌合金铰链,镀锌钢销轴和青铜垫圈
180°hinge zinc die; m. s. zinc plated pin; brass washer

表面处理 Finish	麻面黑 Black Textured Powder Coated
锌合金 Zinc Die	2326-510-20

To get product 3D models freely, Please contact info@yeekaco.com



锌合金铰链, 不锈钢销轴和PA衬套
Hinge zinc die, m ■ s ■ zinc plated pin, PA bushing

高度 Highly	麻面黑 Black Textured Powder Coated	亮铬 Bright Chrome
13型	2327-13-20	2327-13-30
19型	2327-19-20	2327-19-30

外装铰链 External Hinge

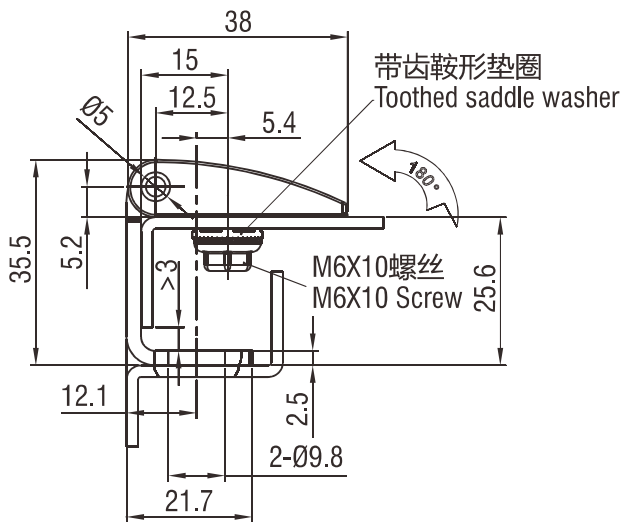
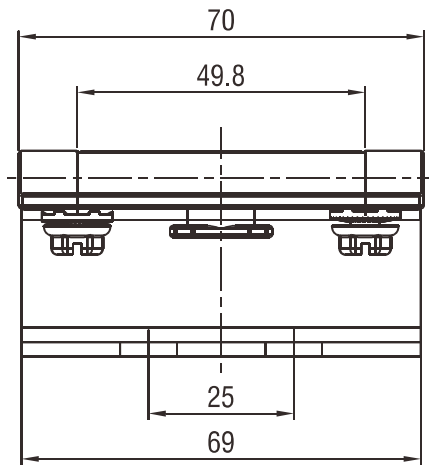
产品系列: 2328

yeeka



目录
Index

铰链 Hinges

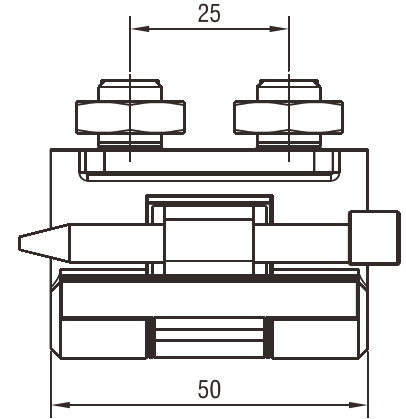
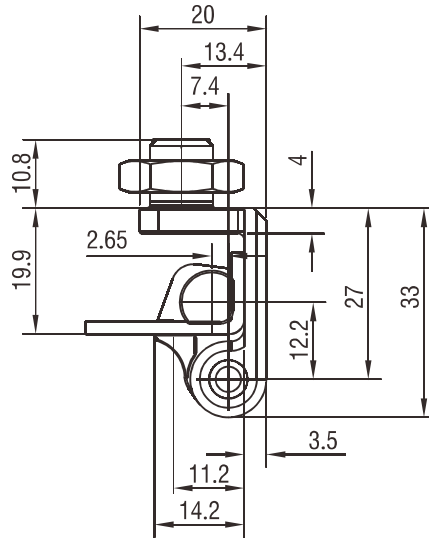


锌合金动铰链, 铁喷塑粉静铰链, 不锈钢销轴
Zinc die door leaf, steel frame leaf, SUS pin

RAL9016	喷塑亚光黑Black Powder Coated
2328-01-25	2328-01-10

To get product 3D models freely, Please contact info@yeekaco.com

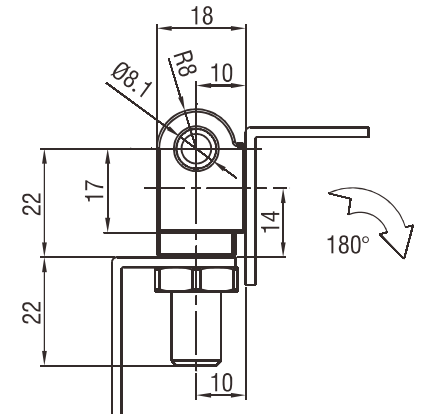
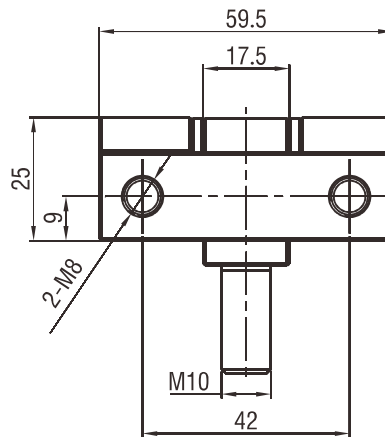
2C-014



锌合金铰链喷塑黑,铁镀锌销轴
Zinc die hinge, black powder coated, m.s. zinc plated pin

麻面黑 Black Textured Powder Coated

2330-500-20



锌合金铰链镀亮铬,铁镀锌销轴
Zinc die, bright chrome plated, pin with m.s.zinc plated

电镀亮铬 Bright Chrome

2332-595-30

外装铰链 External Hinge

产品系列: 2338

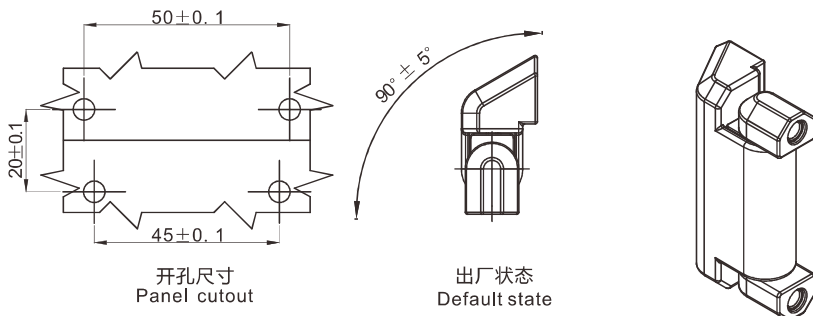
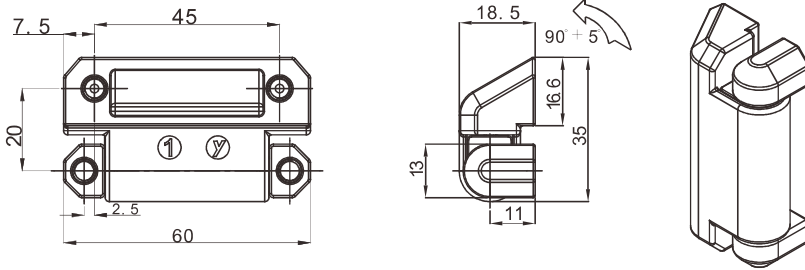
yeeka



NEW

目录
Index

铰链
Hinges



锌合金阻尼铰链, 不锈钢销轴
Zinc screw-in torque hinge, SUS pin

对称扭矩 N.m Symmetric N.m

	麻面黑 Black Textured Powder Coated	灰色 Gray
自由摆动 Free Operating	2338-6000-20	2338-6000-22
1.36	2338-6136-20	2338-6136-22
2.26	2338-6226-20	2338-6226-22
3.16	2338-6316-20	2338-6316-22
4.07	2338-6407-20	2338-6407-22

不对称扭矩 N.m Asymmetric N.m

向前扭矩 N.m Forward Torque N.m	反向扭矩 N.m Reverse Torque N.m	麻面黑 Black Textured Powder Coated	灰色 Gray
2.3	1.4	2338-623F-20	2338-623F-22
3.2	1.9	2338-632F-20	2338-632F-22
4.1	2.4	2338-641F-20	2338-641F-22
5	3	2338-650F-20	2338-650F-22
1.4	2.3	2338-614R-20	2338-614R-22
1.9	3.2	2338-619R-20	2338-619R-22
2.4	4.1	2338-624R-20	2338-624R-22
3	5	2338-630R-20	2338-630R-22

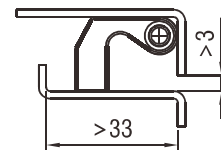
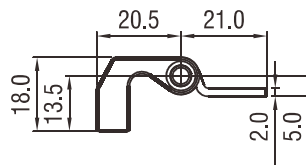
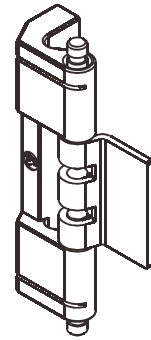
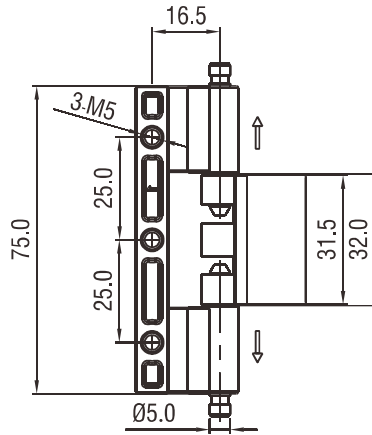


注:
阻尼力+20% N.M,
寿命试验次数数据: 25000次

CYCLE LIFE:
Within 20,000 cycles static torque stay
Within +20% of torque specification.

To get product 3D models freely, Please contact info@yeekaco.com

2C-016



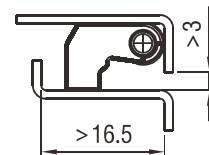
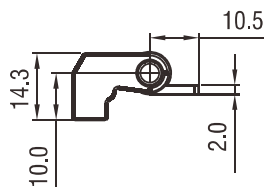
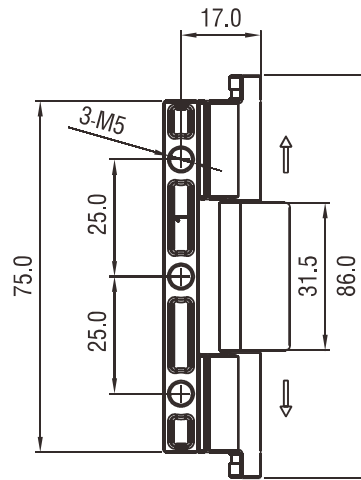
锌合金,镀锌钢或不锈钢销轴,表面可做塑和喷沙
Zinc die,Zinc plated or SUS pin,black powder coated or sand sprayed

喷塑麻面黑 Black Textured Powder Coated

喷沙 Sand sprayed

2401-115-20

2401-115-77



锌合金,镀锌钢或不锈钢销轴,表面可做塑和喷沙
Zinc die,Zinc plated or SUS pin,black powder coated or sand sprayed

喷塑麻面黑 Black Textured Powder Coated

喷沙 Sand sprayed

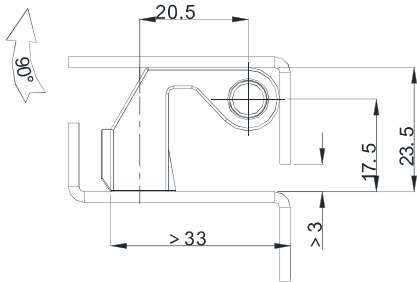
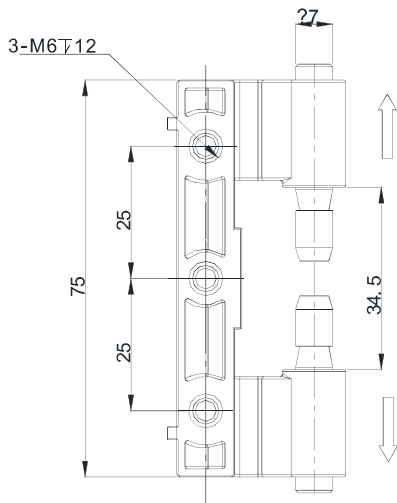
2401-116-20

2401-116-77

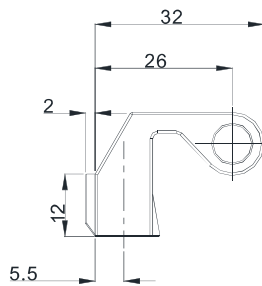
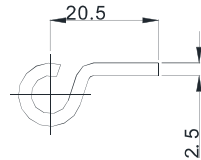
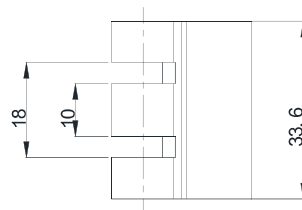
内装铰链 Concealed Hinge

产品系列: 2401

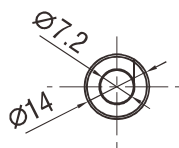
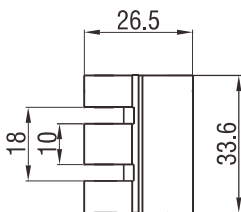
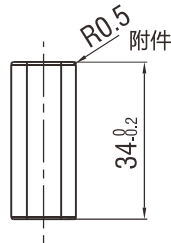
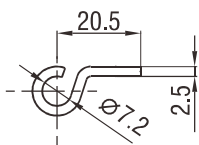
yeeka



A 型 Version A



B 型 Version B



锌合金, 镀锌钢或不锈钢销轴, 表面可做喷塑和喷沙
Zinc die, m.s. zinc plated or SUS pin, black powder coated or sand sprayed

附件类型 Weld-on part version	喷塑黑 Black Powder Coated	喷沙 Sand sprayed
A 型 Version A	2401-111-10	2401-111-77
B 型 Version B	2401-112-10	2401-112-77



目录
Index

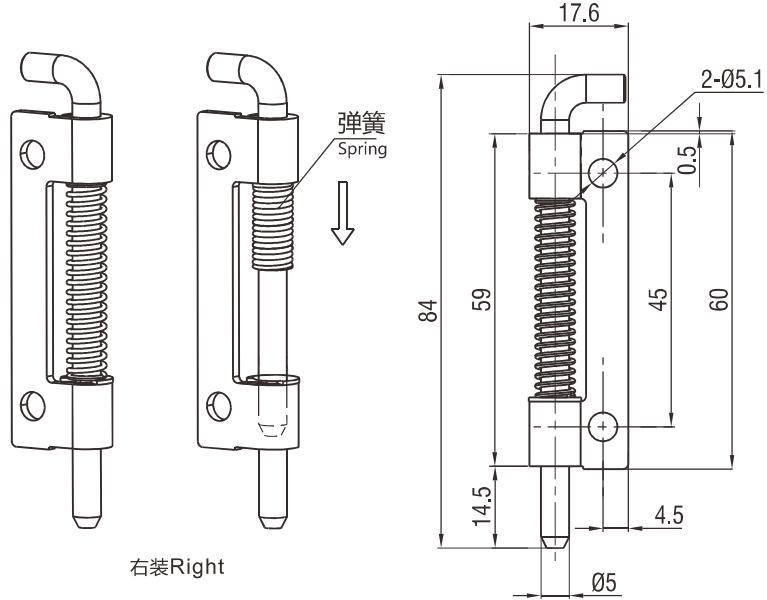
铰链
Hinges

To get product 3D models freely, Please contact info@yeekaco.com

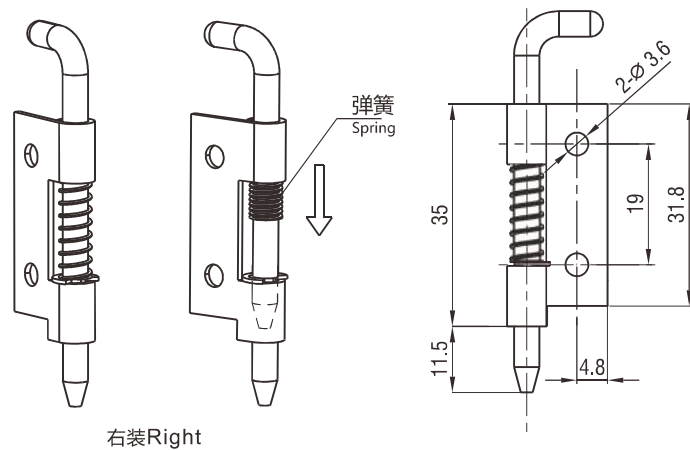
2D-002



大型 Large size



小型 Small size



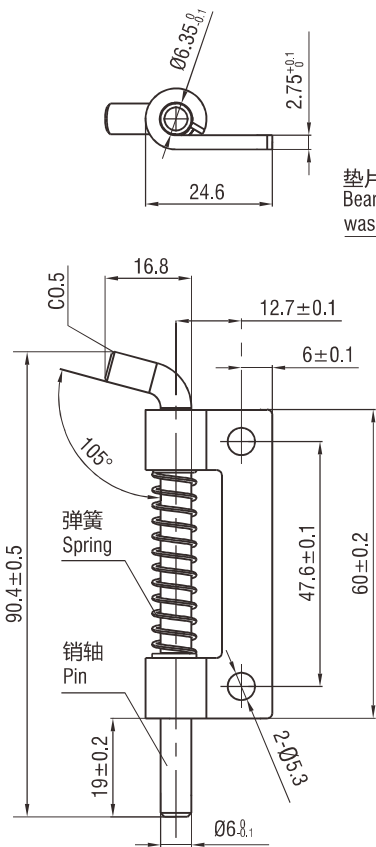
镀锌钢
M.S. zinc plated
材质可做全不锈钢
SUS material upon request

	螺丝固定型 Screw on version		焊接固定型 Weld on version	
	左装 Left	右装 Right	左装 Left	右装 Right
大型 Large size	2404-01-L	2404-01-R	2404-11-L	2404-11-R
小型 Small size	2404-02-L	2404-02-R	2404-12-L	2404-12-R

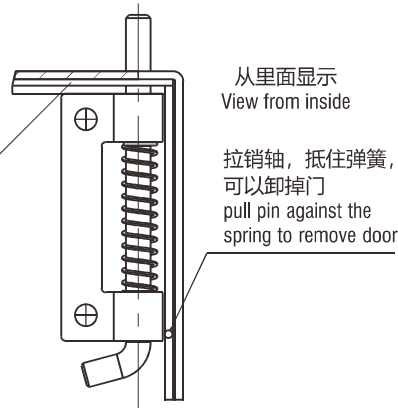
内装铰链 Concealed Hinge

产品系列: 2404、2405

yeeka



应用示例
Example of application



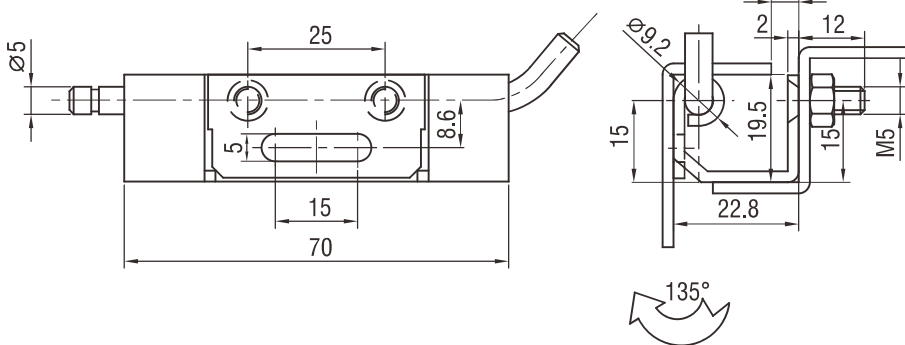
右门组装型
Assembled in the right door

左门组装型
Assembled in the left door

镀锌钢或不锈钢
M.S. zinc plated or stainless steel

螺丝固定型 Screw on version

	左装 Left	右装 Right
铁镀锌 M.S. zinc plated	2404-04-01L	2404-04-01R
不锈钢 304 SUS 304	2404-04-304L	2404-04-304R



镀锌钢
M.S. zinc plated

2405-01



目录
Index

铰链
Hinges

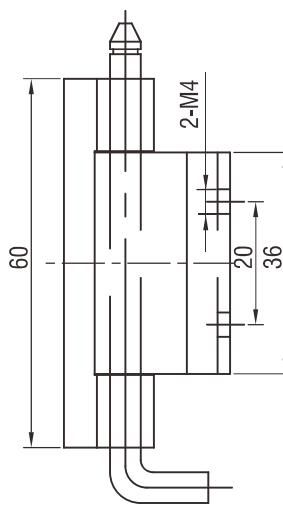


NEW

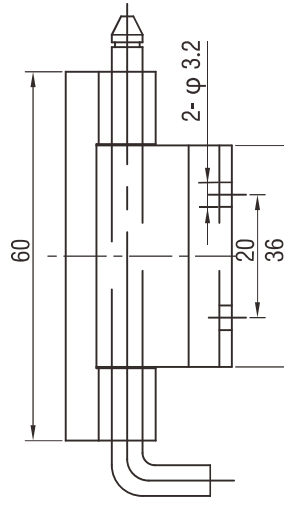


To get product 3D models freely, Please contact info@yeekaco.com

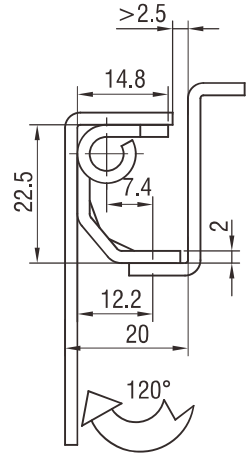
2D-004



螺丝固定型
Screw on version

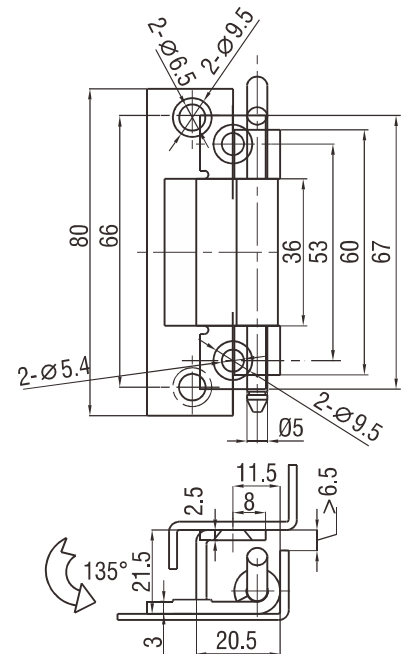
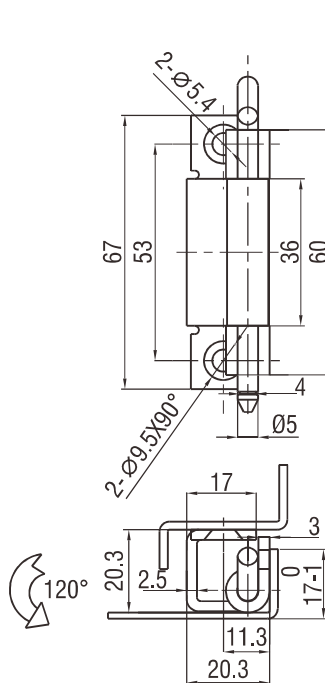


焊接固定型
Weld on version



镀锌钢或不锈钢
M.S. zinc plated or stainless steel

	不锈钢 304 SUS 304	镀锌钢 Steel
螺丝固定型 Screw on version	2406-011-304	2406-011-01
焊接固定型 Weld on version	2406-012-304	2406-012-01



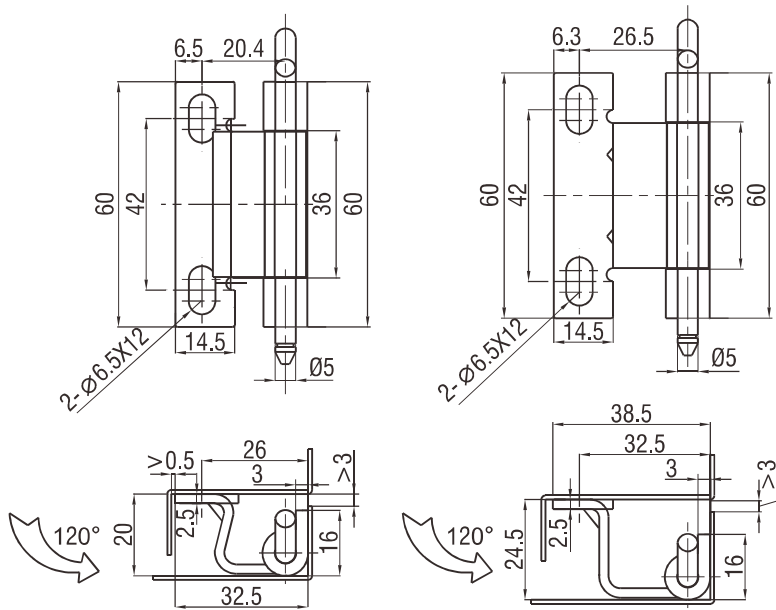
镀锌钢或不锈钢
M.S. zinc plated or stainless steel

	不锈钢 304 SUS 304	镀锌钢 Steel
(尺寸 20.3) (Dim 20.3)	2407-011-304	2407-011-01
(尺寸 21.5) (Dim 21.5)	2407-012-304	2407-012-01

内装铰链 Concealed Hinge

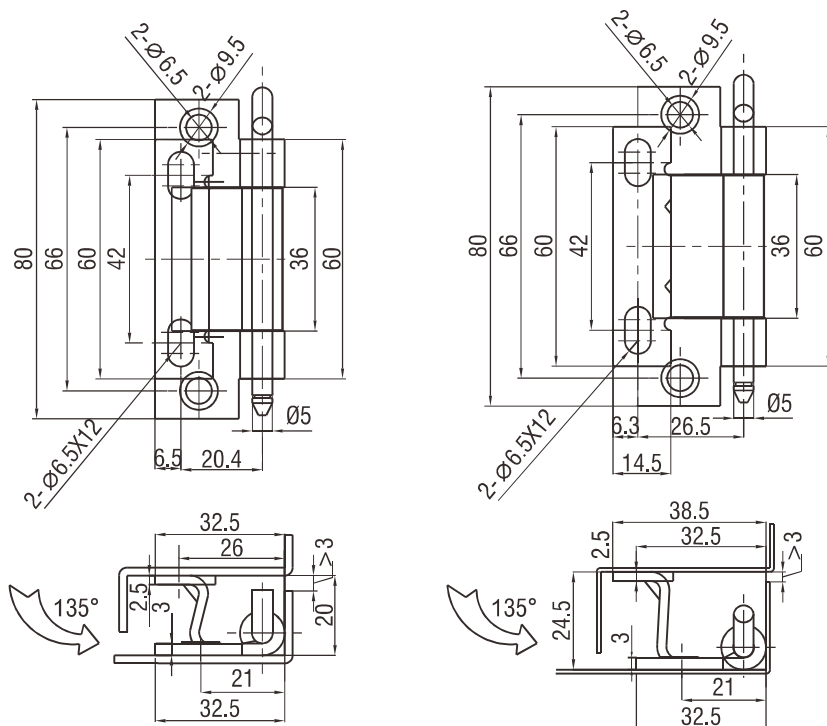
产品系列: 2407

yeeka



镀锌钢或不锈钢
M.S. zinc plated or stainless steel

	不锈钢 304 SUS 304	镀锌钢 Steel
(尺寸 20) (Dim 20)	2407-021-304	2407-021-01
(尺寸 24.5) (Dim 24.5)	2407-022-304	2407-022-01



镀锌钢或不锈钢
M.S. zinc plated or stainless steel

	不锈钢 304 SUS 304	镀锌钢 Steel
(尺寸 20) (Dim 20)	2407-031-304	2407-031-01
(尺寸 24.5) (Dim 24.5)	2407-032-304	2407-032-01



目录
Index

铰链 Hinges

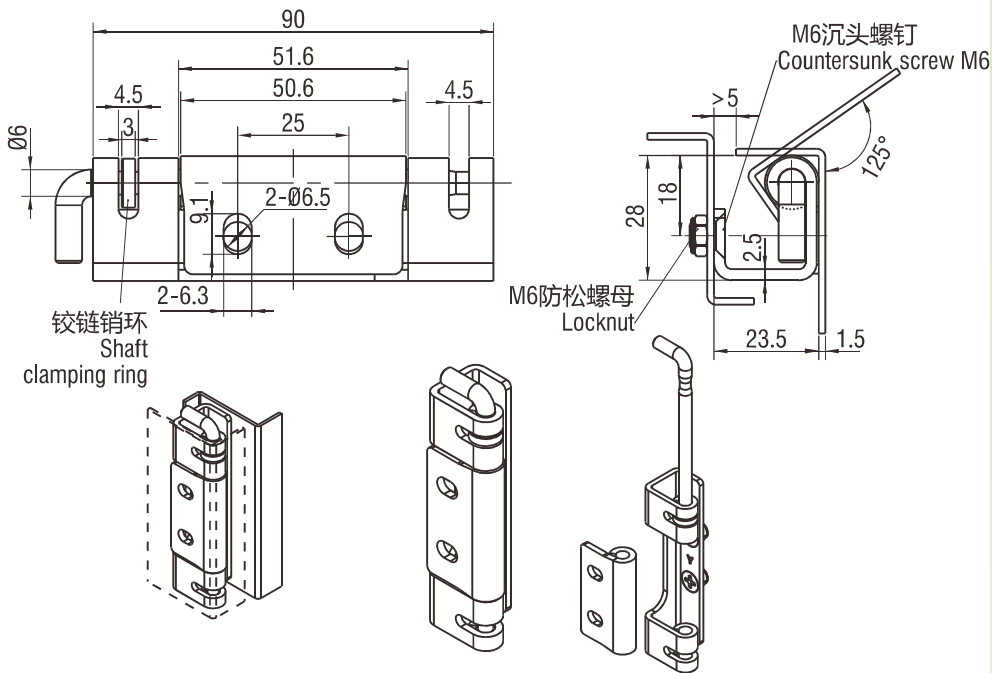
To get product 3D models freely, Please contact info@yeekaco.com

2D-006

内装铰链 Concealed Hinge

产品系列: 2408、2409

yeeka



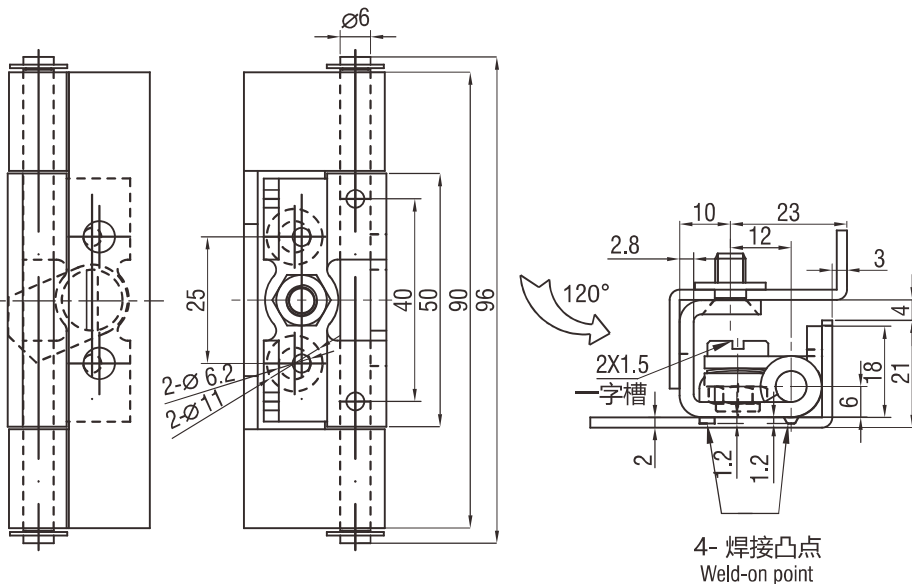
镀锌钢或不锈钢, 铰链销环, 聚甲醛, 红色
M.S. zinc plated or stainless steel, shaft clamping ring: POM, red

不锈钢 304 SUS 304	镀锌钢 M.S zinc plated
2408-03-304	2408-03-01



目录
Index

铰链
Hinges



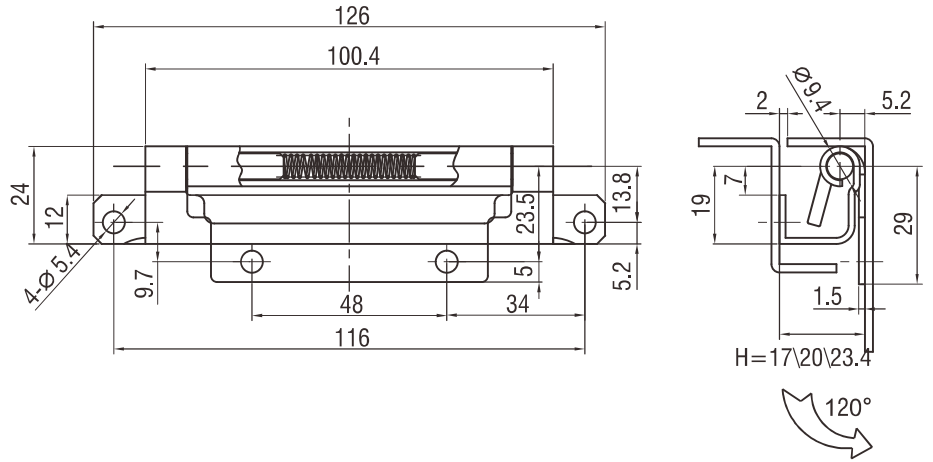
镀锌钢或不锈钢
M.S. zinc plated or stainless steel

不锈钢 304 SUS 304	镀锌钢 Steel
2409-304	2409-01



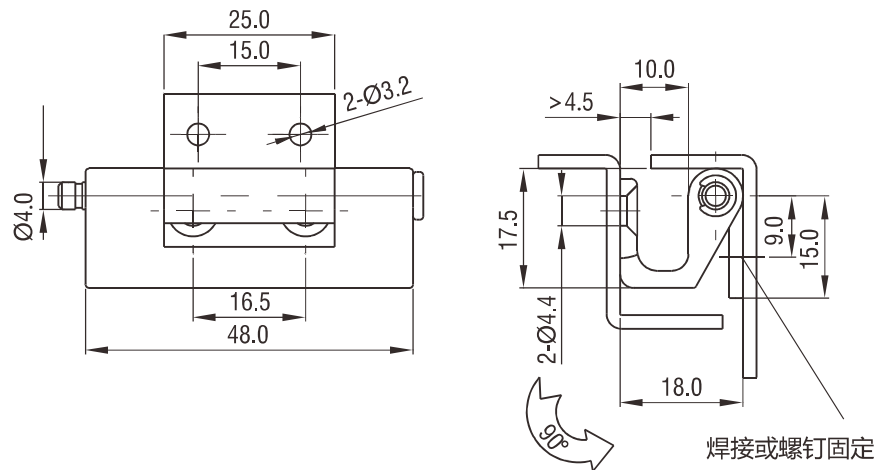
To get product 3D models freely, Please contact info@yeekaco.com

2D-008



镀锌钢或不锈钢
M.S. zinc plated or stainless steel

高度 Height	不锈钢 304 SUS 304	镀锌钢 Steel
H=17	2410-17-304	2410-17-01
H=20	2410-20-304	2410-20-01
H=23.4	2410-234-304	2410-234-01



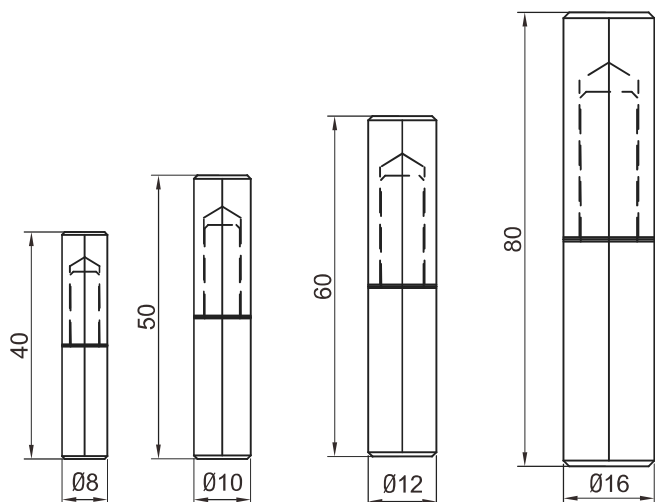
锌合金, 镀锌钢或不锈钢销轴, 表面喷沙镀镍
Zinc die, Sand blasting nickel plated, m.s. zinc plated or SUS pin.

2411-02-78

内装铰链 Concealed Hinge

产品系列: 2412、2414

yeeka



镀锌钢或不锈钢

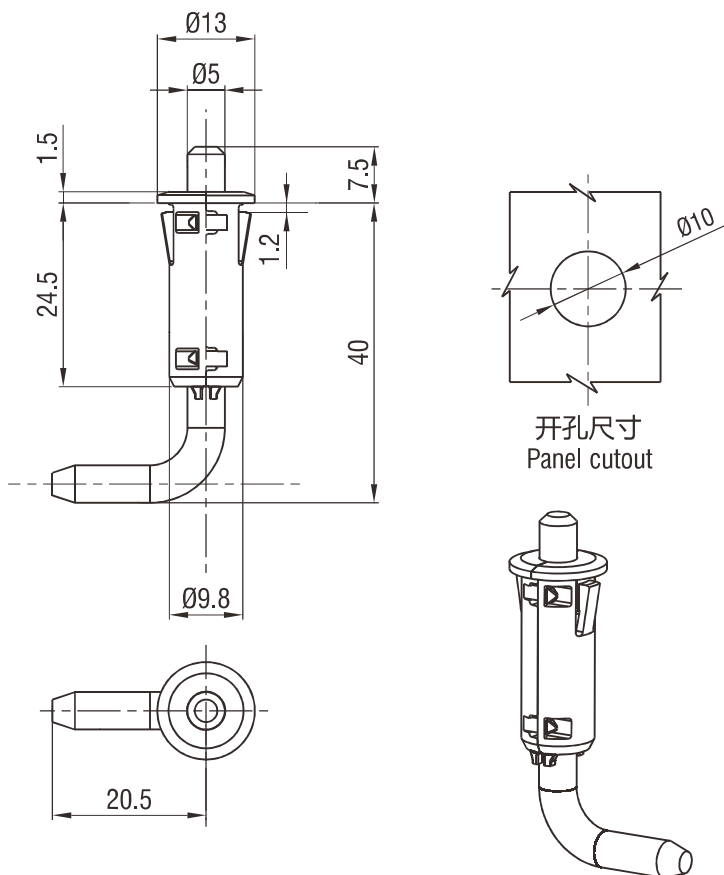
M.S. zinc plated or stainless steel

	长度 L=40	长度 L=50	长度 L=60	长度 L=80
不锈钢 304 SUS 304	2412-40-304	2412-50-304	2412-60-304	2412-80-304
镀锌钢 Steel	2412-40-01	2412-50-01	2412-60-01	2412-80-01



目录
Index

铰链 Hinges



黑色PA铰链, 锌合金销轴

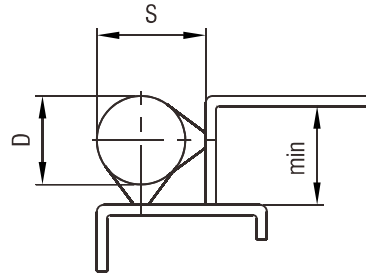
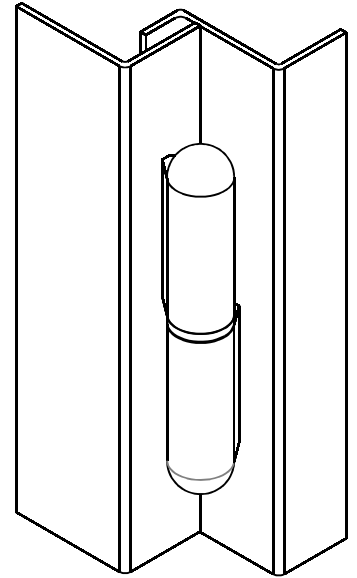
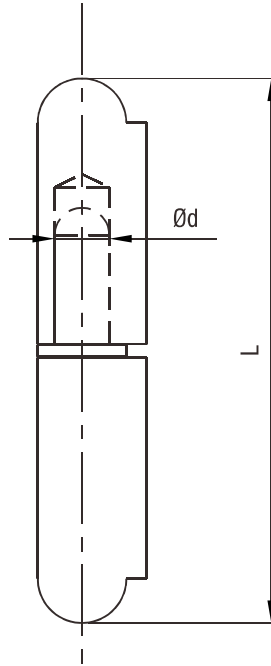
Black PA hinge, zinc die pin shaft

2414-01-90



To get product 3D models freely, Please contact info@yeekaco.com

2D-010



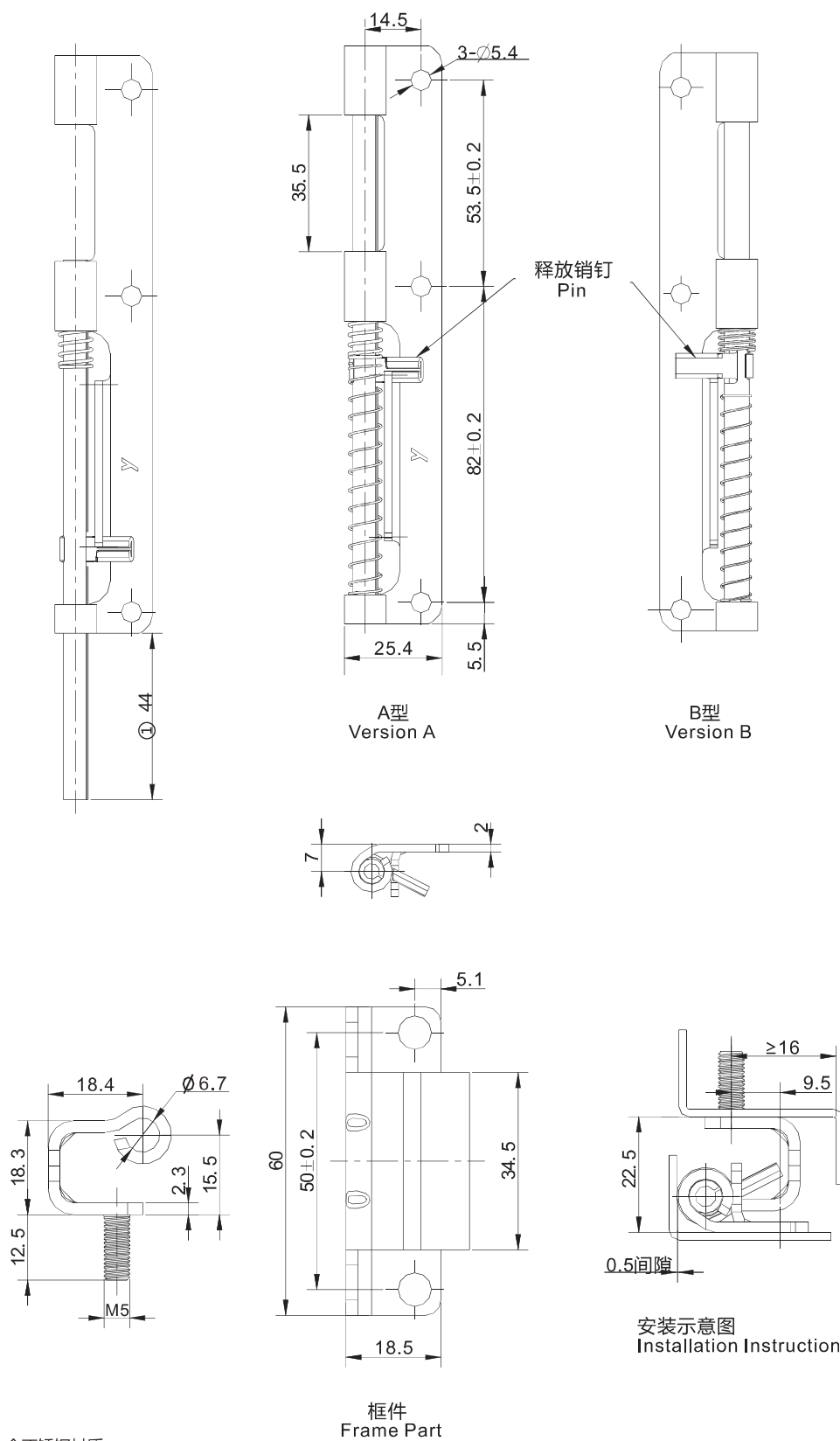
铁铰链,铁销轴或铜销轴,或全不锈钢铰链
M.S Raw with M.S pin or brass pin, or full stainless steel.

L	D	d	S	铁销轴 m.s raw m.s pin	铜销轴 m.s raw brass pin	全不锈钢 SUS 304
40	Ø8	Ø5	9.5	2416-40A-01	2416-40A-59	2416-40A-304
50	Ø8	Ø5	9.5	2416-50A-01	2416-50A-59	2416-50A-304
60	Ø10	Ø6	12.0	2416-60A-01	2416-60A-59	2416-60A-304
70	Ø11.5	Ø7	13.5	2416-70A-01	2416-70A-59	2416-70A-304
80	Ø13	Ø8	15.5	2416-80A-01	2416-80A-59	2416-80A-304
100	Ø16	Ø10	20.0	2416-100A-01	2416-100A-59	2416-100A-304
120	Ø16	Ø11	20.0	2416-120A-01	2416-120A-59	2416-120A-304
135	Ø18	Ø12	22.0	2416-135A-01	2416-135A-59	2416-135A-304
150	Ø20	Ø13	25.0	2416-150A-01	2416-150A-59	2416-150A-304
180	Ø20	Ø14	25.0	2416-180A-01	2416-180A-59	2416-180A-304
200	Ø23	Ø16	28.5	2416-200A-01	2416-200A-59	2416-200A-304

内装铰链 Concealed Hinge

产品系列: 2421

yeeka



全不锈钢材质
SUS material

款式 Verison	
A 型 Version A	2421-011-304
B 型 Version B	2421-012-304

NEW

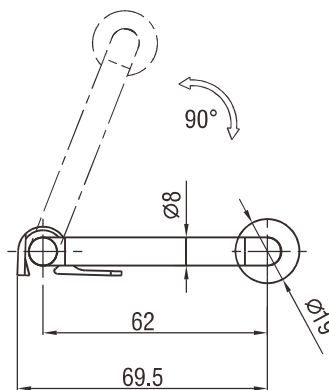
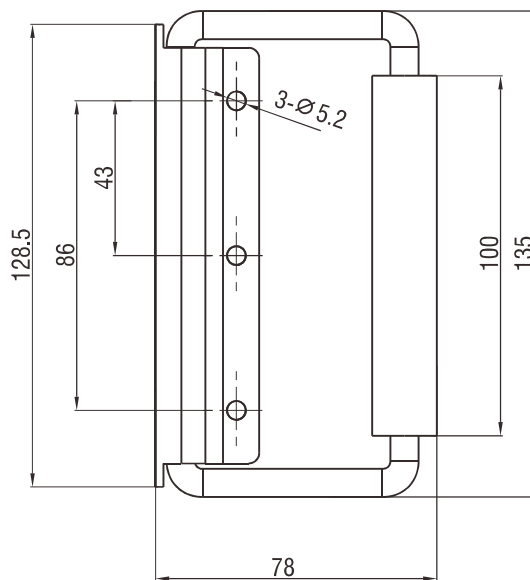


目录
Index

铰链
Hinges

To get product 3D models freely, Please contact info@yeekaco.com

2D-012



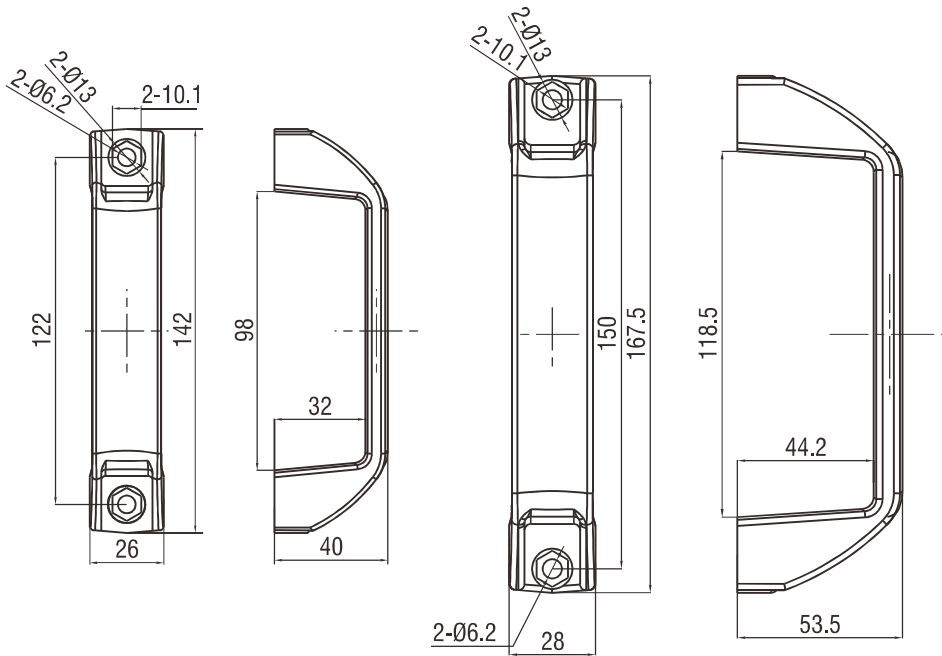
不锈钢, 橡胶套
SUS304, rubber cover

3101-304

U 型拉手 U shape Handle

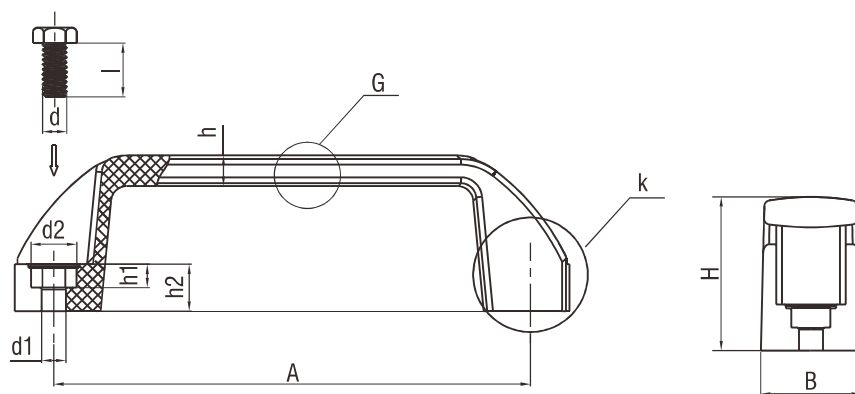
产品系列: 3201

yeeka



黑色塑料
PA6 GF30,black

中型 Middle size L=122	3201-122
长型 Long size L=150	3201-150



铝合金, 喷塑黑
Aluminium alloy, black powder coated

	描述 Description	A	d	d1	d2	h1	h2	B	H	h
3201-090	90x6.5	90	M6		12	7	12	20	36	6
3201-120	120x8.5	120	M8		15	9	15	26	40	7
3201-180	180x8.5	180	M8		15	9	18	28	50	8

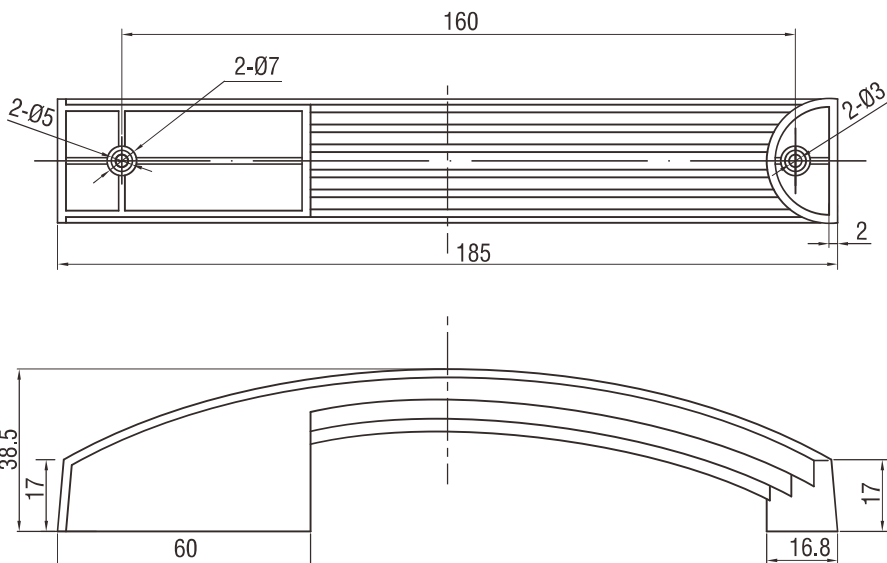
目录
Index

拉手 Handles



To get product 3D models freely, Please contact info@yeekaco.com

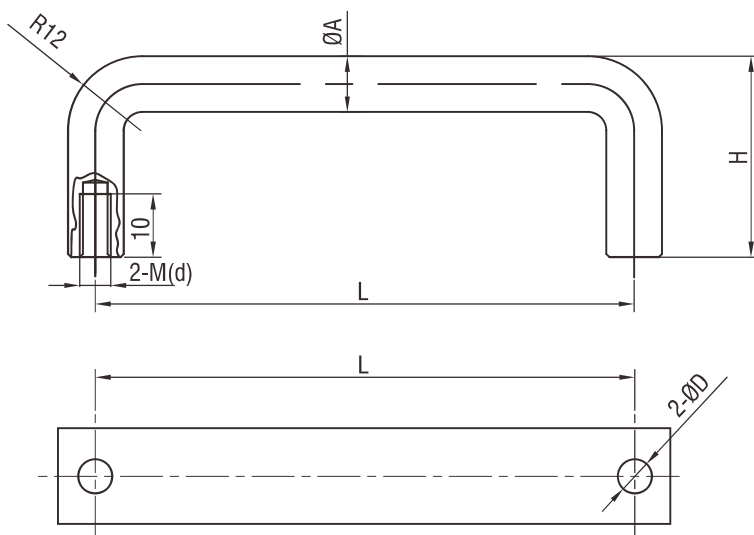
3B-001



黑色或深灰色塑料
PA6 GF30, black or dark gray

深灰色 Dark grey

3202-185



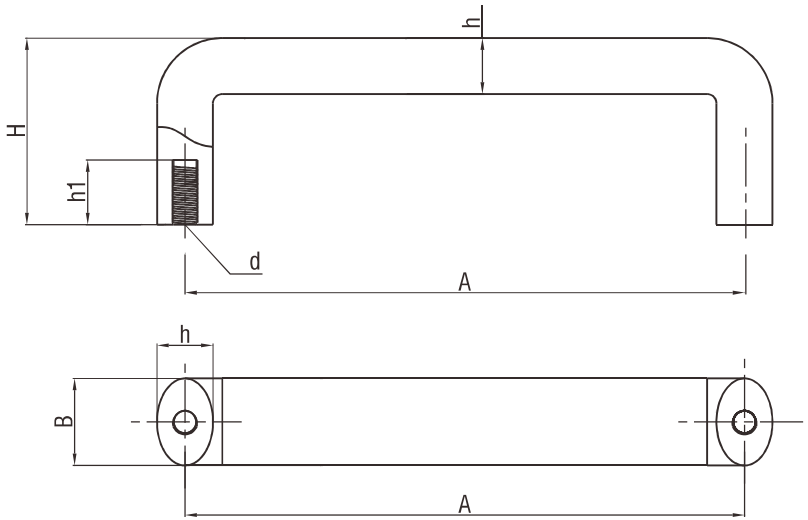
钢, 镀铬或全不锈钢
Steel, bright chrome, or stainless steel

L	A	H	D	d	不锈钢 304 SUS 304	钢 Steel
87	Ø9	40	2-Ø6	2-M5	3203-08740-9304	3203-08740-901
100	Ø9	40	2-Ø6	2-M5	3203-10040-9304	3203-10040-901
120	Ø9	40	2-Ø6	2-M5	3203-12040-9304	3203-12040-901
135	Ø9	40	2-Ø6	2-M5	3203-13540-9304	3203-13540-901
150	Ø9	40	2-Ø6	2-M5	3203-15040-9304	3203-15040-901

U 型拉手 U shape Handle

产品系列: 3204、3205

yeeka



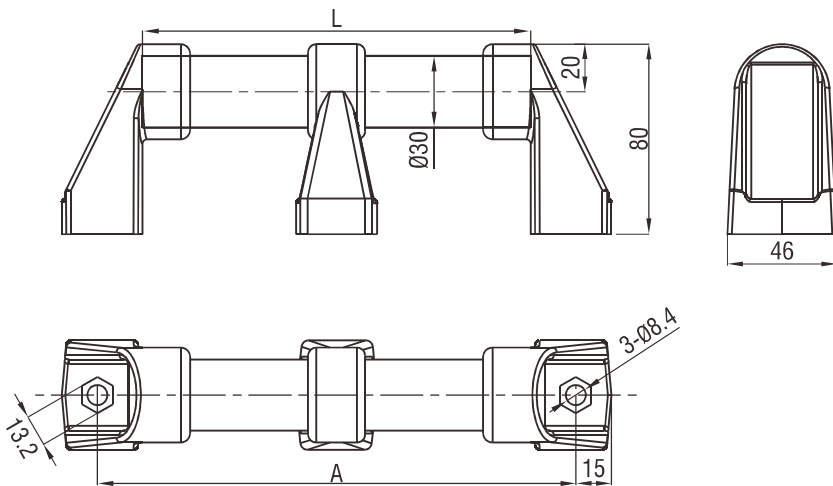
黑色塑料
PA6 GF30, black

	描述 Description	A	H	d	h1	B	h
3204-090	90xM6	90	50	M6	14	28	18
3204-120	120xM8	120	60	M8	16	28	20
3204-180	180xM8	180	60	M8	16	28	20
3204-240	240xM8	240	60	M8	16	28	20



目录
Index

拉手 Handles



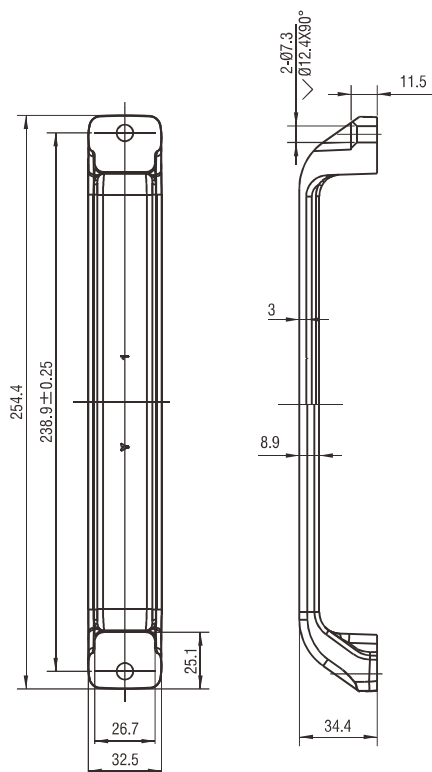
黑色PA+GF
端件Ending base:3205-01
中间件Middle base:3205-02
直径30钢管 Tube: 3205-03-A (见下表,see below table)

L	A		L	A	
266	300	3205-03-300	366	400	3205-03-400
466	500	3205-03-500	566	600	3205-03-600
666	700	3205-03-700	766	800	3205-03-800



To get product 3D models freely, Please contact info@yeekaco.com

3B-003

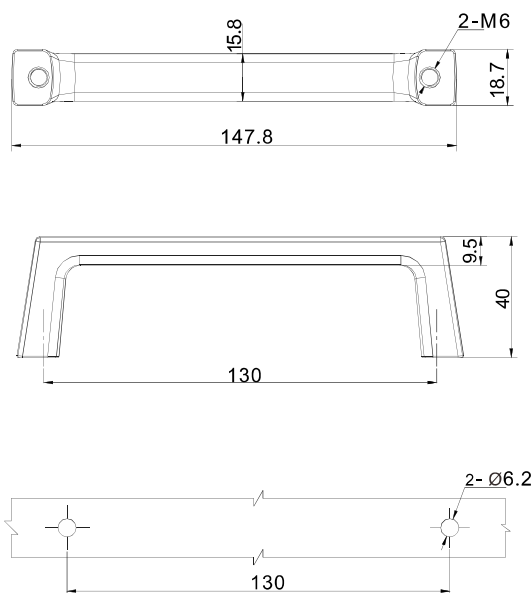
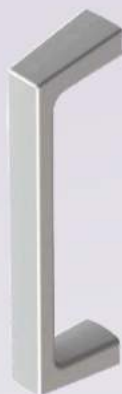


锌合金, 表面处理可做喷塑亚光黑
Zinc die, black smooth powder coated

中心距 center distance

L=238.85

3206-239-10



铝合金
Aluminium alloy,

开孔尺寸
Panel Cutout

中心距 center distance

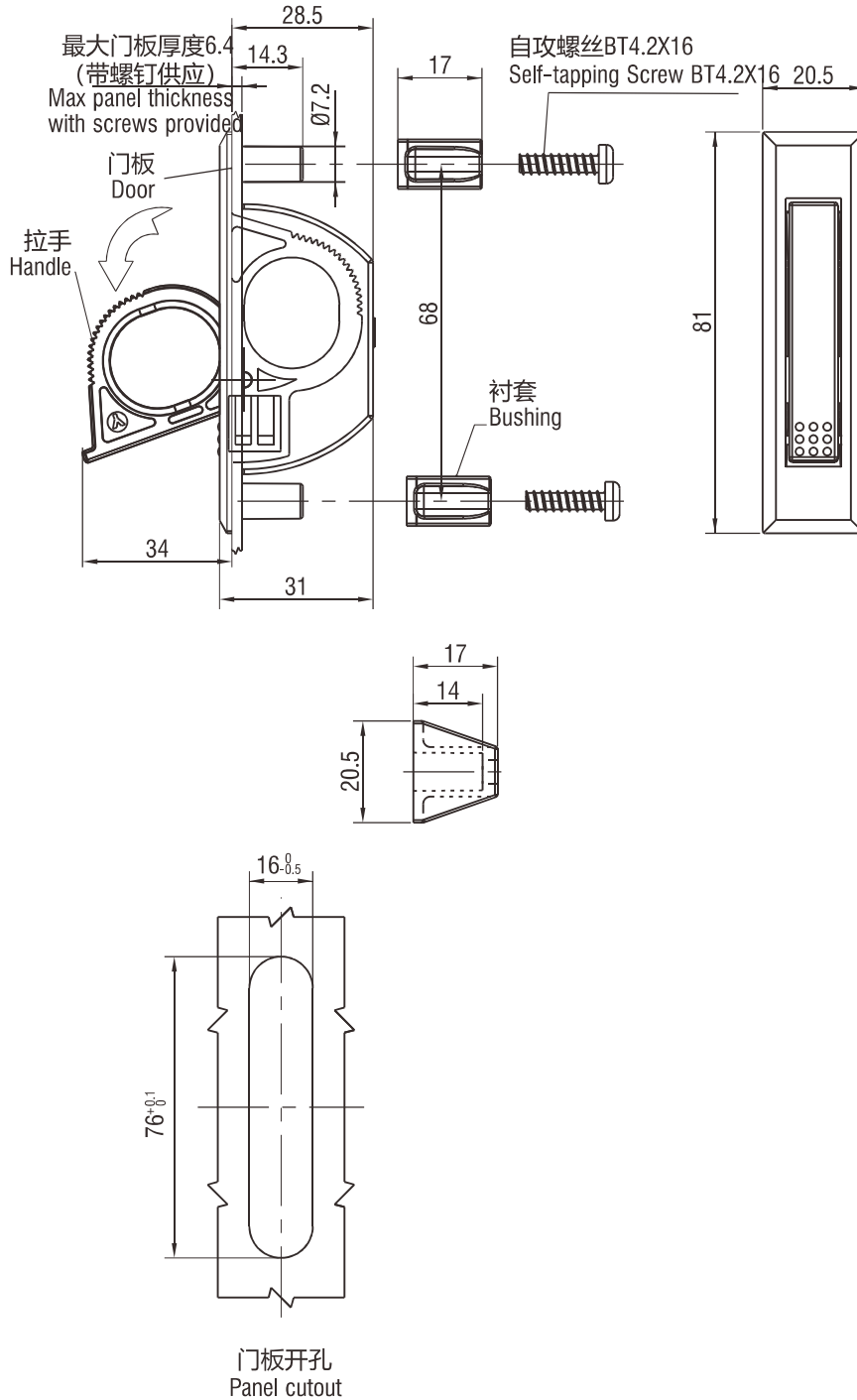
L=130

3212-130-63

隐藏式拉手 Concealed Pull Assembly

产品系列: 3207

yeeka



尼龙拉手和锁壳, 乙缩醛衬套, 不锈钢304自攻螺丝和销轴, 表面处理做黑色
PA6 handle and housing, POM bushing, SUS304 self-tapping screw and pin, black finish

中型 Middle Size

3207-68-90

目录
Index

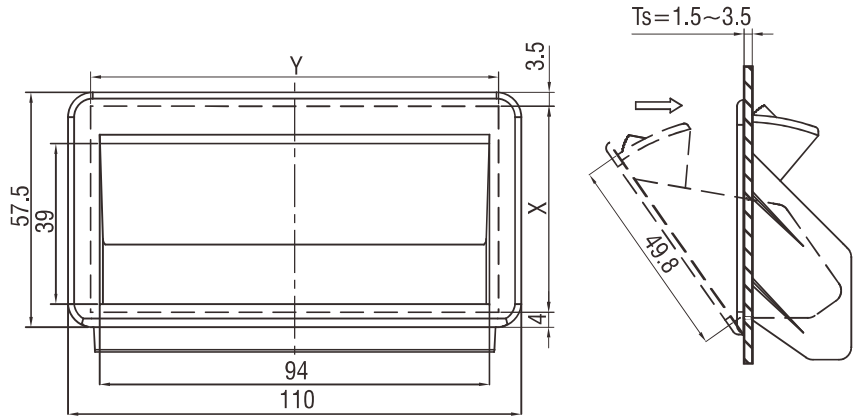
拉手
Handles

To get product 3D models freely, Please contact info@yeekaco.com

3B-005



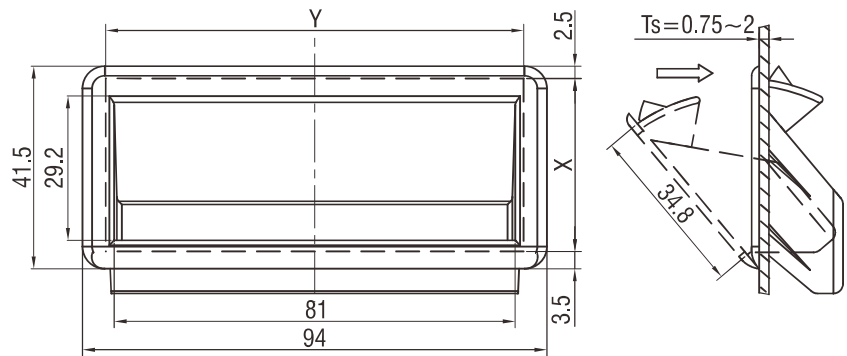
大型 Large size



开孔尺寸 Panel cutout

门板厚度 Ts(mm)	X	Y
1.5~2	49.8 ^{+0.2}	99.5
2~3	50 ^{+0.3}	99.5

小型 Small size



开孔尺寸 Panel cutout

门板厚度 Ts(mm)	X	Y
0.75~1	35 ^{+0.2}	85 ^{+0.3}
1~2	36 ^{+0.2}	85 ^{+0.3}

黑色塑料
PA6 GF30,black

大型 Large size

3301-01

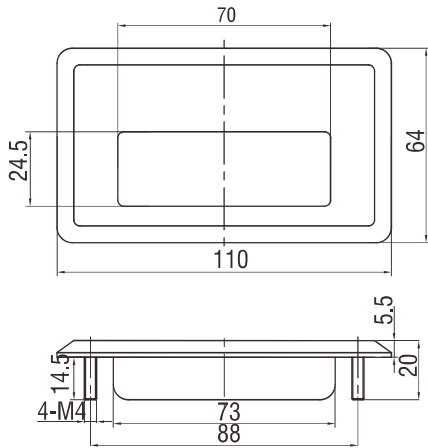
小型 Small size

3301-02

嵌入式拉手 Pocket Pull

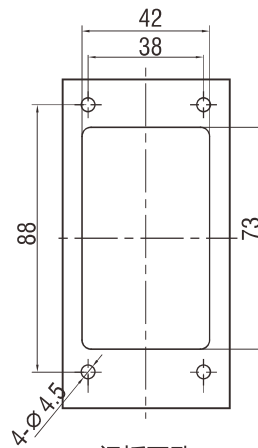
产品系列: 3302、3303、3308

yeeka

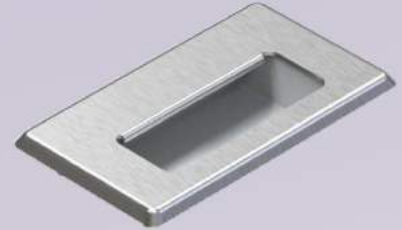


不锈钢
Stainless steel

3302-01

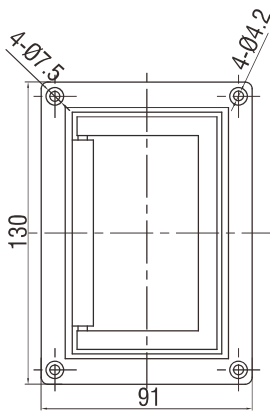


门板开孔
Panel cutout



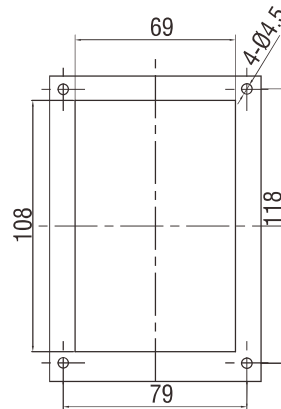
目录
Index

拉手 Handles

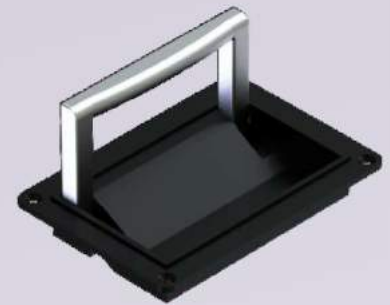


锌合金, 喷塑黑
Zinc die, black powder coated.

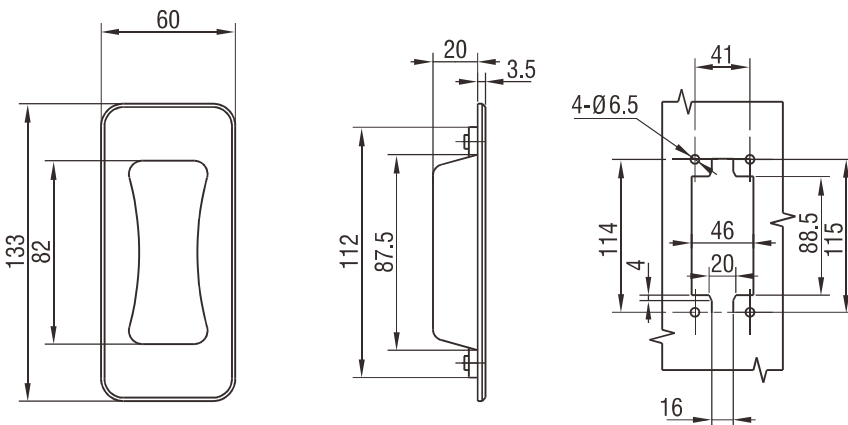
3303-01



门板开孔
Panel cutout



To get product 3D models freely, Please contact info@yeekaco.com

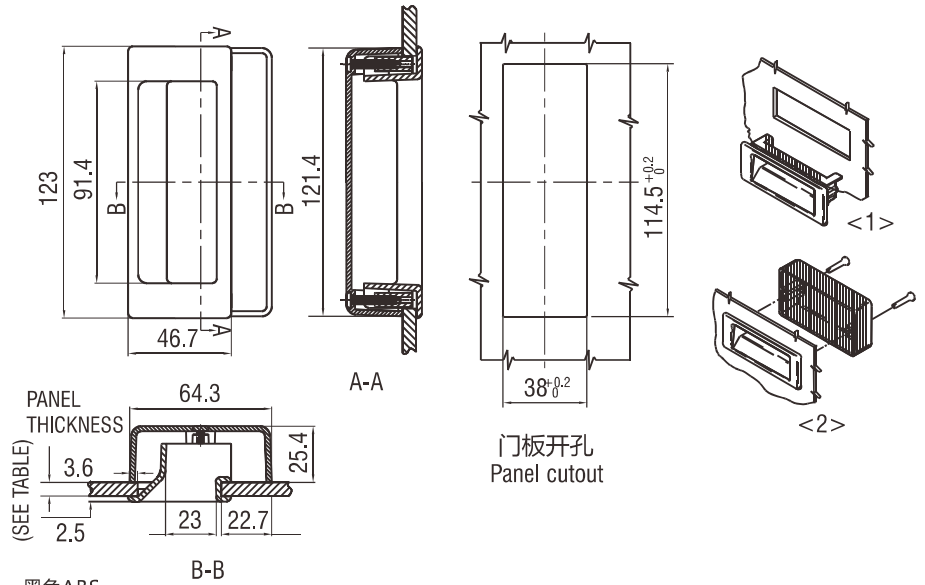
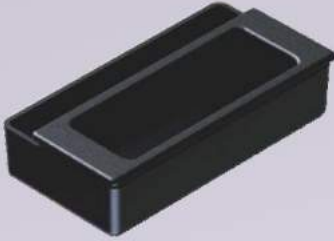


锌合金, 喷塑黑
Zinc die, black powder coated.

3308-01-20

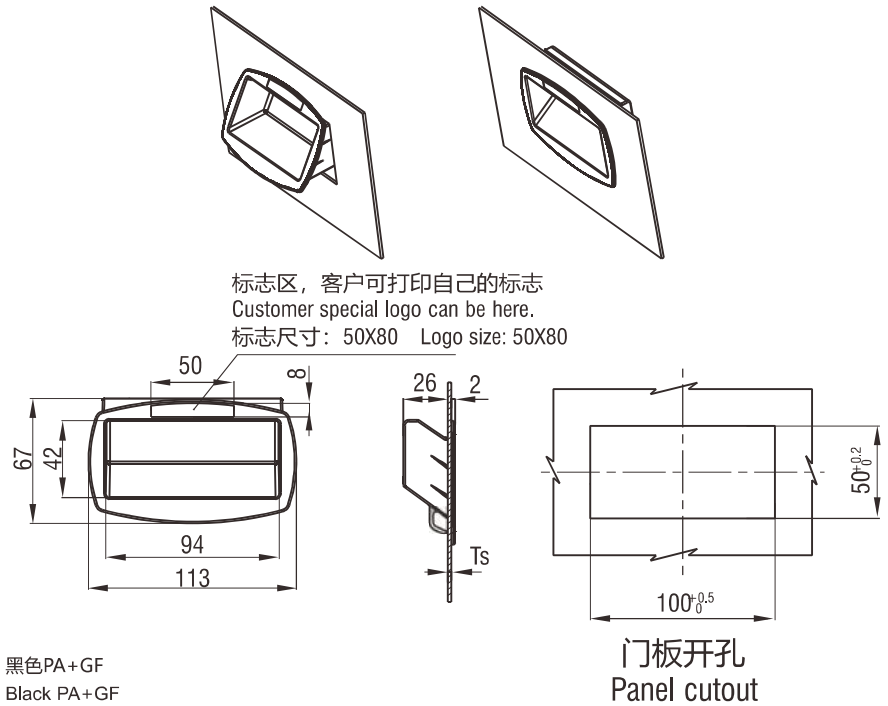


3C-002



黑色ABS
Black ABS

最小~最大	
1.0-1.8	3305-01
1.8-3.3	3305-02
3.3-4.8	3305-03
4.8-6.3	3305-04



黑色PA+GF
Black PA+GF

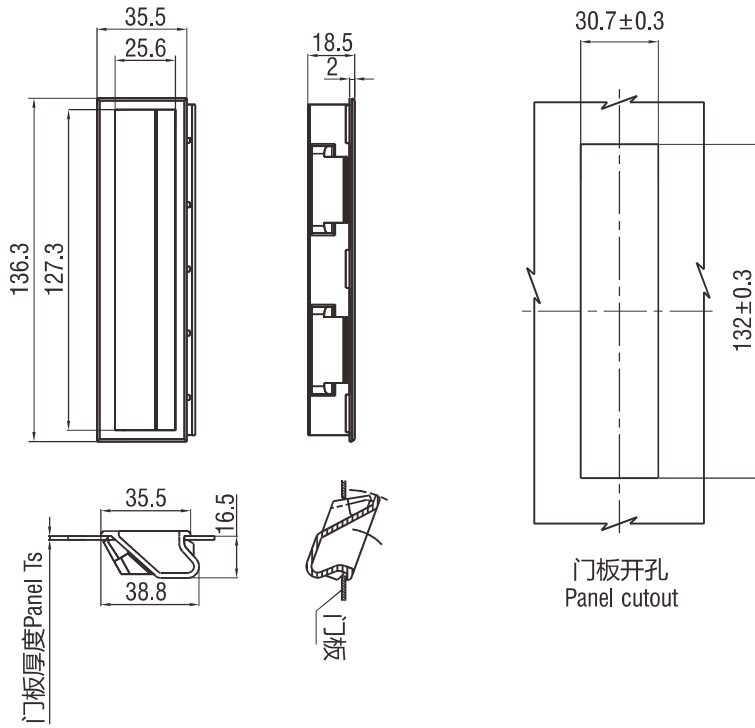
门板厚度 最小~最大 Panel Ts= Min ~Max	
0.8-1.2	3307-01
1.2-1.6	3307-02
1.75-2.2	3307-03

嵌入式拉手 Pocket Pull

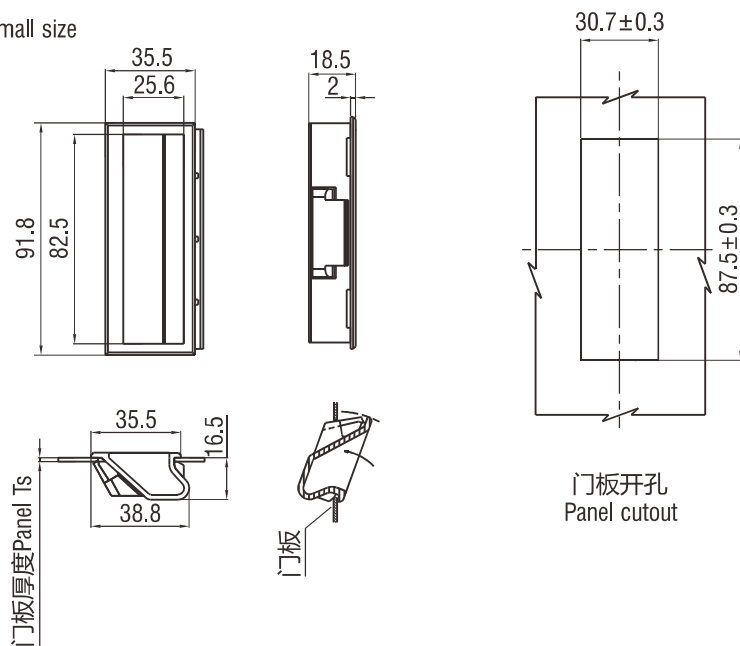
产品系列: 3306

yeeka

大型 Large size



小型 Small size



黑色ABS
Black ABS

门板厚度 最小~最大 Panel Ts= Min ~Max	尺寸 Size	
	大型 Large size	小型 Small size
1.0~1.4	3306-11	3306-21
1.4~1.8	3306-12	3306-22
1.8~2.1	3306-13	3306-23
2.1~2.5	3306-14	3306-24



目录
Index

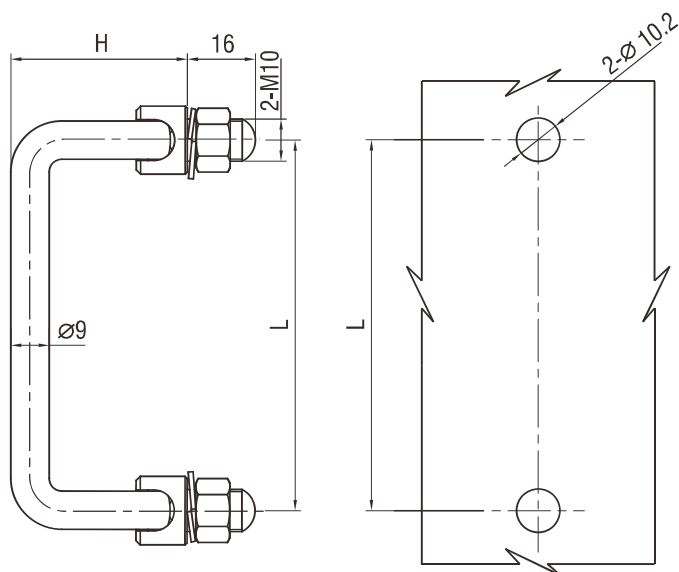
拉手 Handles

To get product 3D models freely, Please contact info@yeekaco.com

3C-004



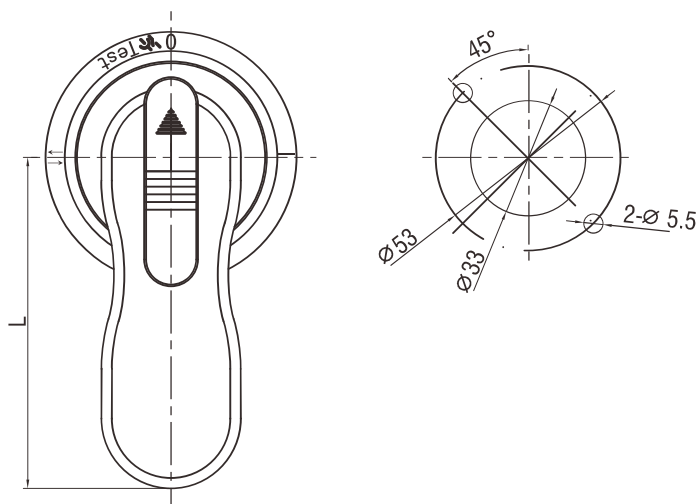
可折叠式拉手 Folding Handles



钢, 镀亮铬 或 全不锈钢
Steel in bright chrome, or full stainless steel

长度 L	H=41.5, Ø 9.0	
	不锈钢 304 SUS 304	钢 Steel
L=87	3401-87-304	3401-87-30
L=100	3401-100-304	3401-100-30
L=120	3401-120-304	3401-120-30
L=135	3401-135-304	3401-135-30
L=150	3401-150-304	3401-150-30

手柄 Handles



塑料, 黑色或灰色
PA6 GF30, black or grey

长度 L	45	65	95	125
黑色 Black	3501-45-10	3501-65-10	3501-95-10	3501-125-10
灰色 Grey	3501-45-50	3501-65-50	3501-95-50	3501-125-50

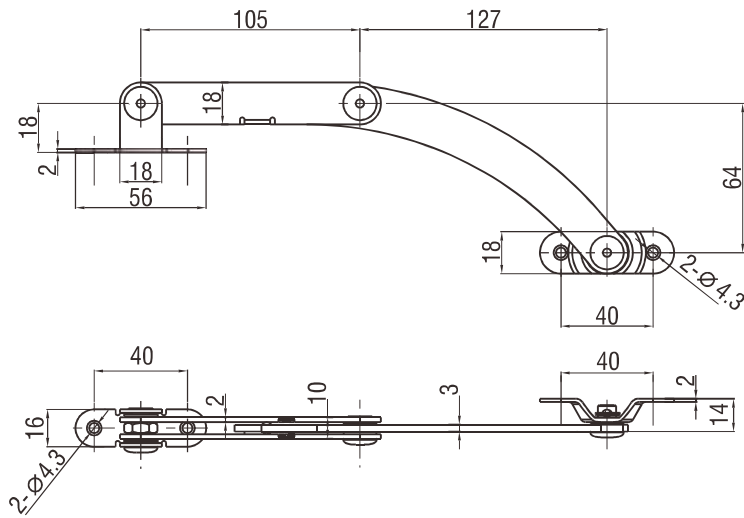
按钮式伸缩支撑

Telescopic Cover Stay With Button

产品系列: 6101

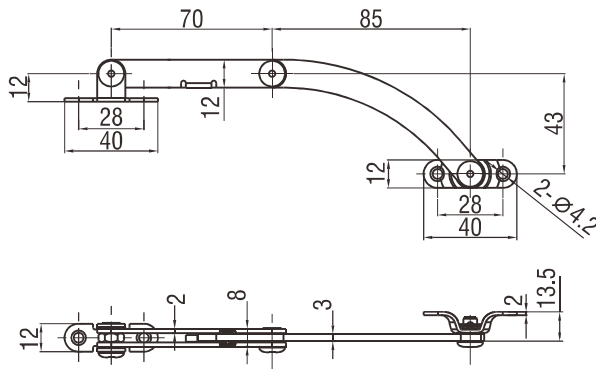
yeeka

长型 Long size



固定座
Mounting bracket

短型 Short size



固定座
Mounting bracket

Q235, 镀铬

Q235,chrome plated

	左开 Left opening	右开 Right opening
长型 Long size	6101-01L-30	6101-01R-30
短型 Short size	6101-02L-30	6101-02R-30

RL



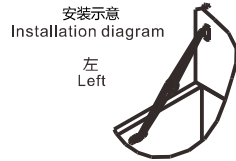
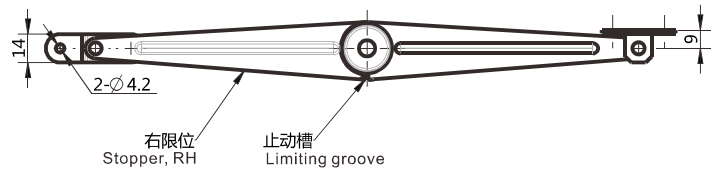
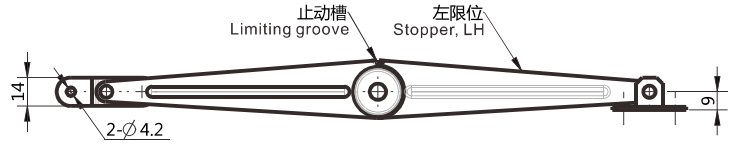
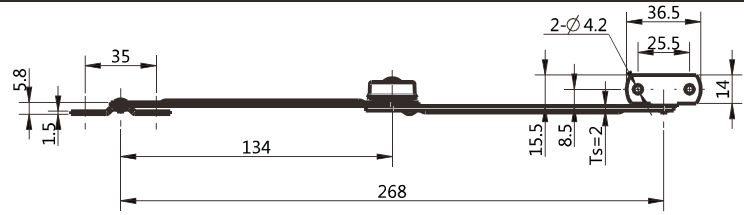
目录
Index

支撑杆
Cover stay

To get product 3D models freely, Please contact info@yeekaco.com

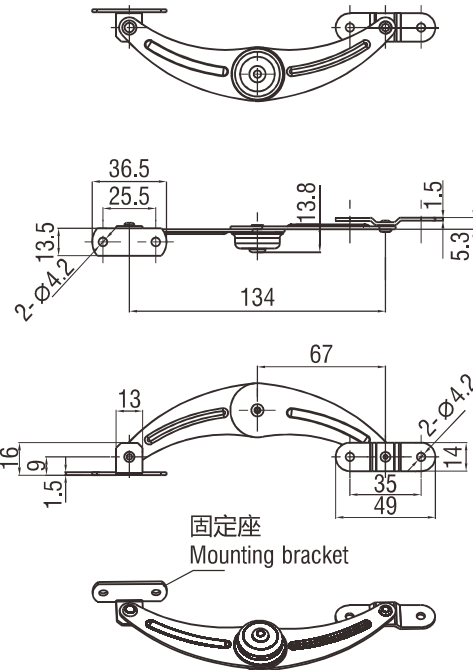
6A-001

RL



镀镍钢
M.S. nickel plated

左开 Left opening	6102-01
右开 Right opening	6102-02



镀镍钢
M.S. nickel plated

左开 Left opening	6103-01
右开 Right opening	6103-02

滑动支撑

Telescopic Cover Stay

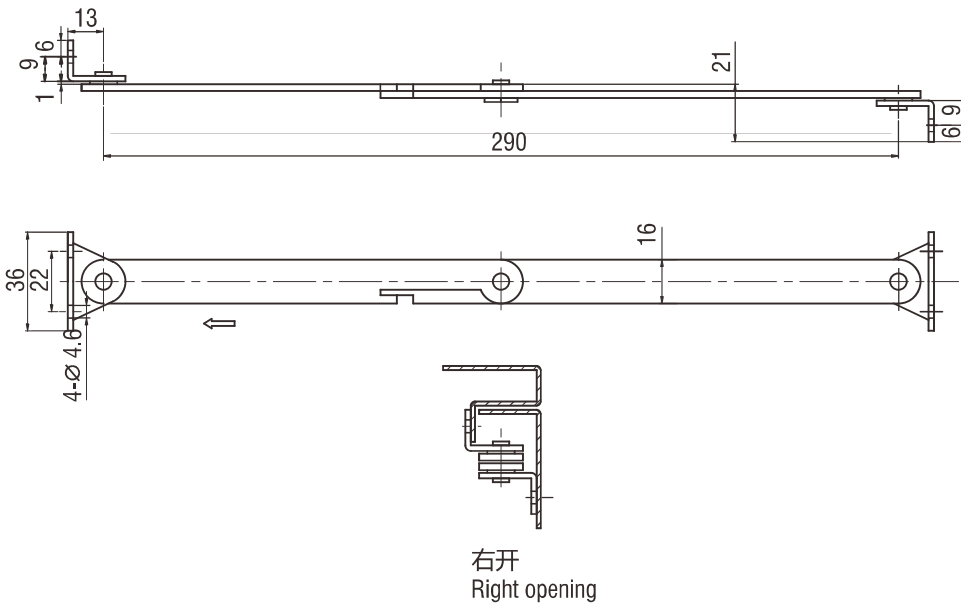
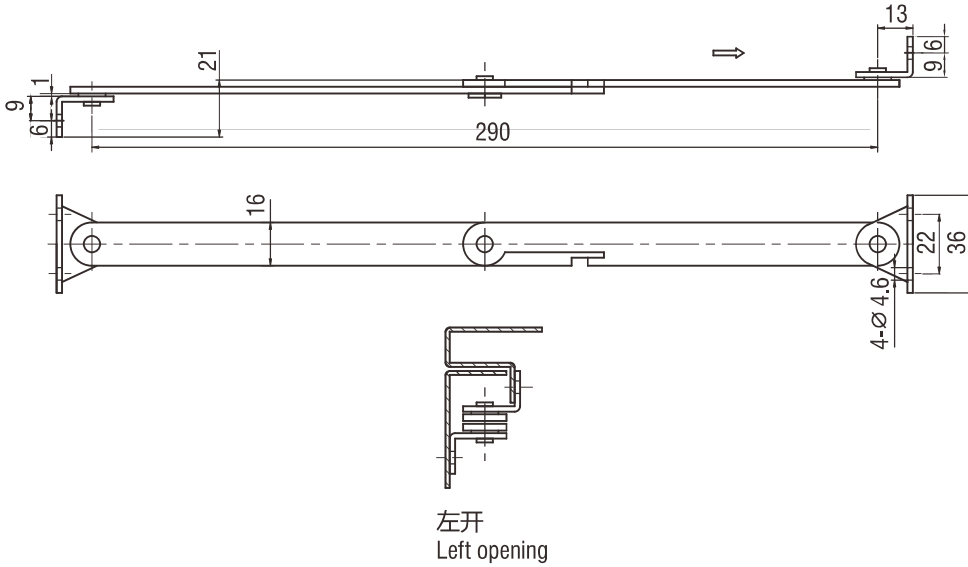
产品系列: 6104

yeeka

LRS STAINLESS SERIES

目录
Index

支撑杆 Cover stay



镀镍钢 或 全不锈钢
M.S. nickel plated or stainless steel

	钢镀镍 Steel in nickel plated	不锈钢 304 SUS 304
左开 Left opening	6104-01-00	6104-01-304
右开 Right opening	6104-02-00	6104-02-304

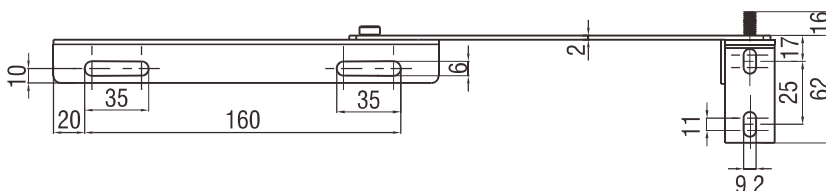
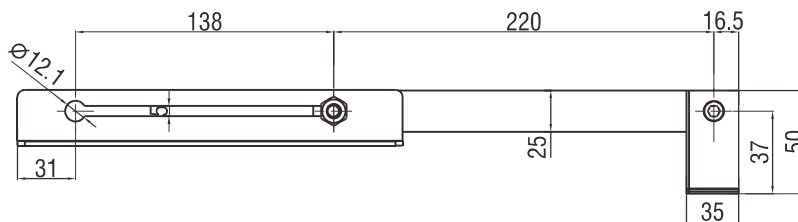


To get product 3D models freely, Please contact info@yeekaco.com

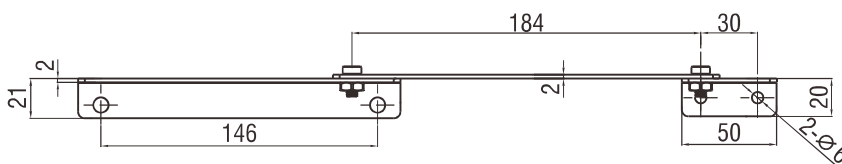
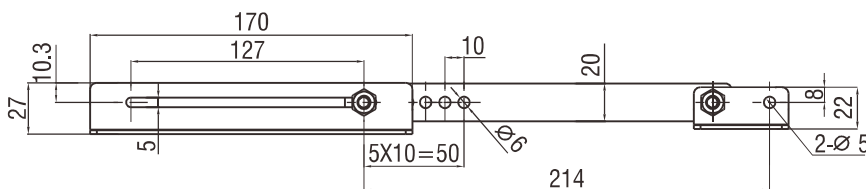
6A-003



长型 Long size



短型 Short size



镀镍钢 或 全不锈钢

M.S. nickel plated or Stainless steel

	钢镀镍 Steel in nickel plated	不锈钢 304 SUS 304
长型 Long size	6105-01-00	6105-01-304
短型 Short size	6105-02-00	6105-02-304

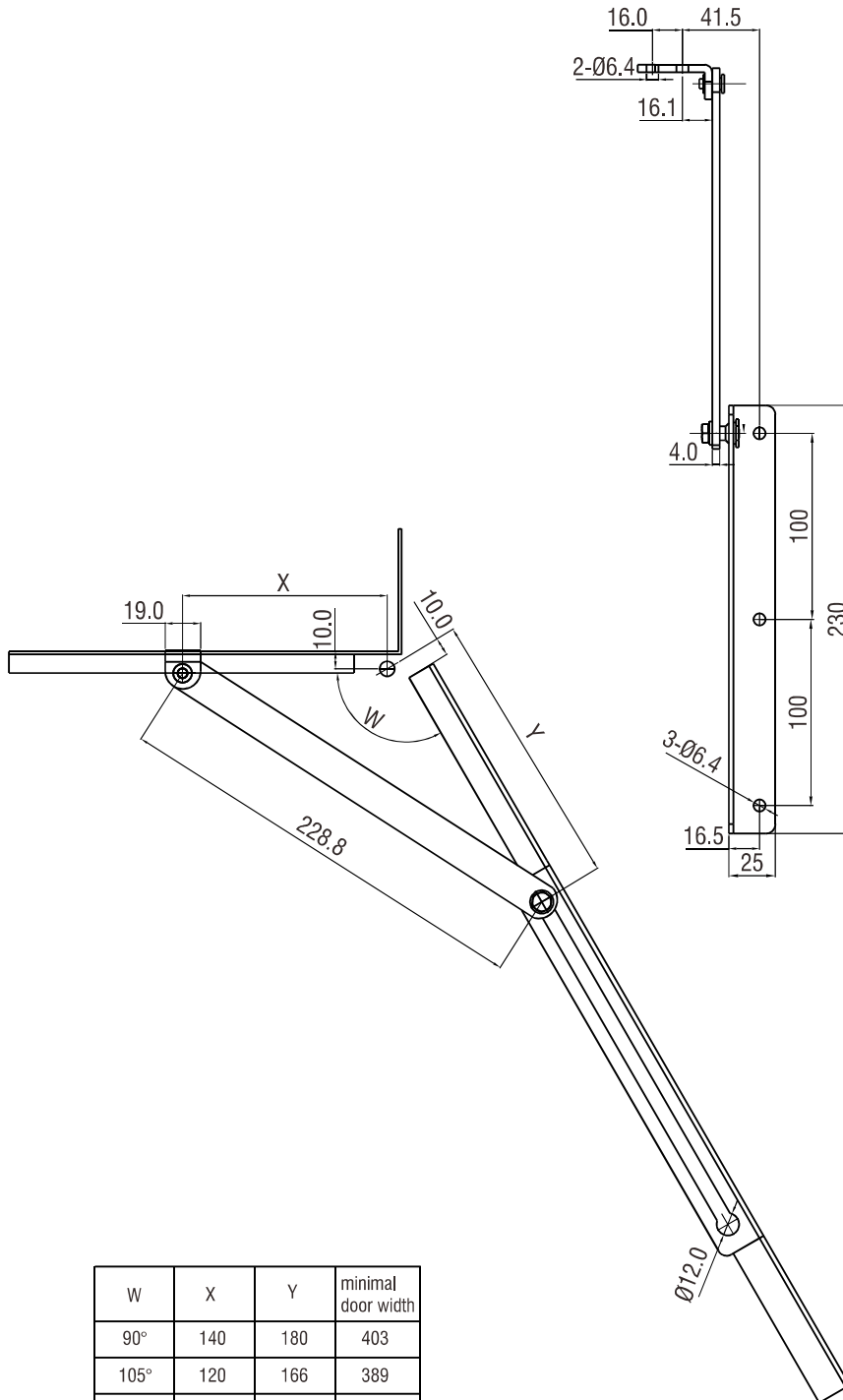
滑动支撑

Telescopic Cover Stay

产品系列: 6106

yeeka

S TAINLESS SERIES RL



W	X	Y	minimal door width
90°	140	180	403
105°	120	166	389
120°	110	150	373
135°	100	146	369



目录
Index

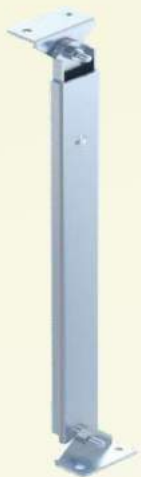
支撑杆 Cover stay
支撑杆 Cover stay

To get product 3D models freely, Please contact info@yeekaco.com

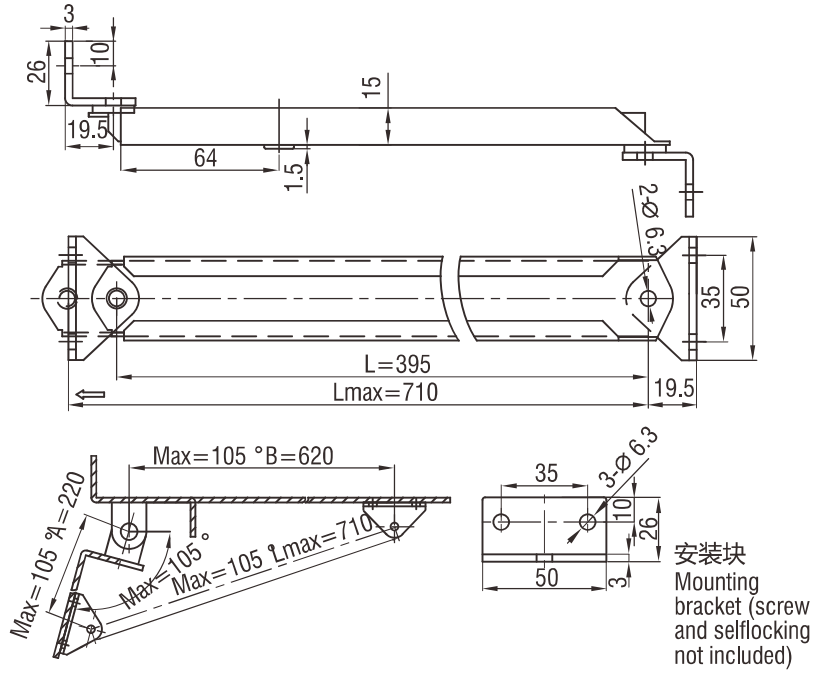
6A-005

铁镀锌 M.S.zinc plated	6106-01-01
不锈钢 304 SUS 304	6106-01-304

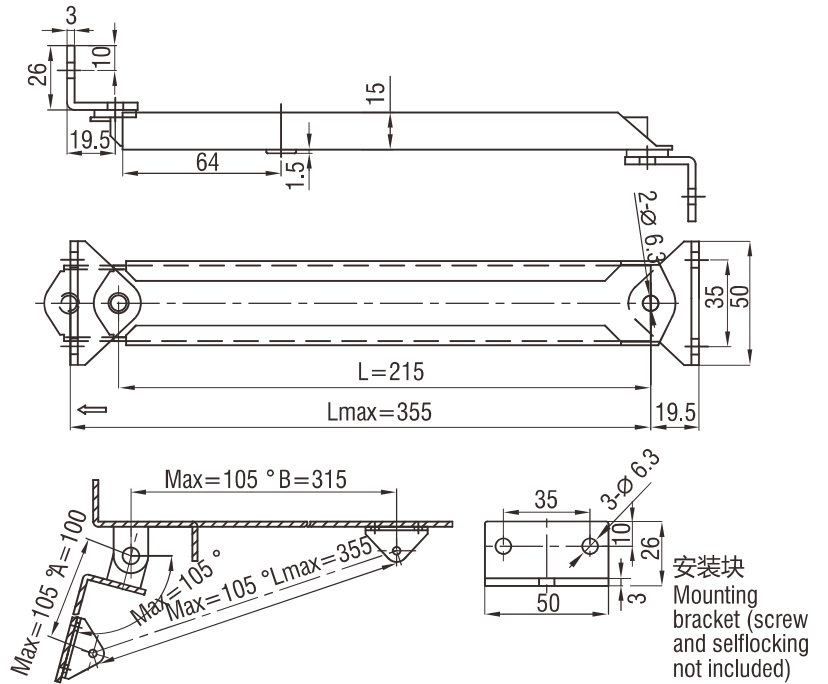
RL



长型 Long size



短型 Short size



镀锌钢
M.S. zinc plated

铁镀锌 Steel in zinc plated

长型 Long size

6201-01-00

短型 Short size

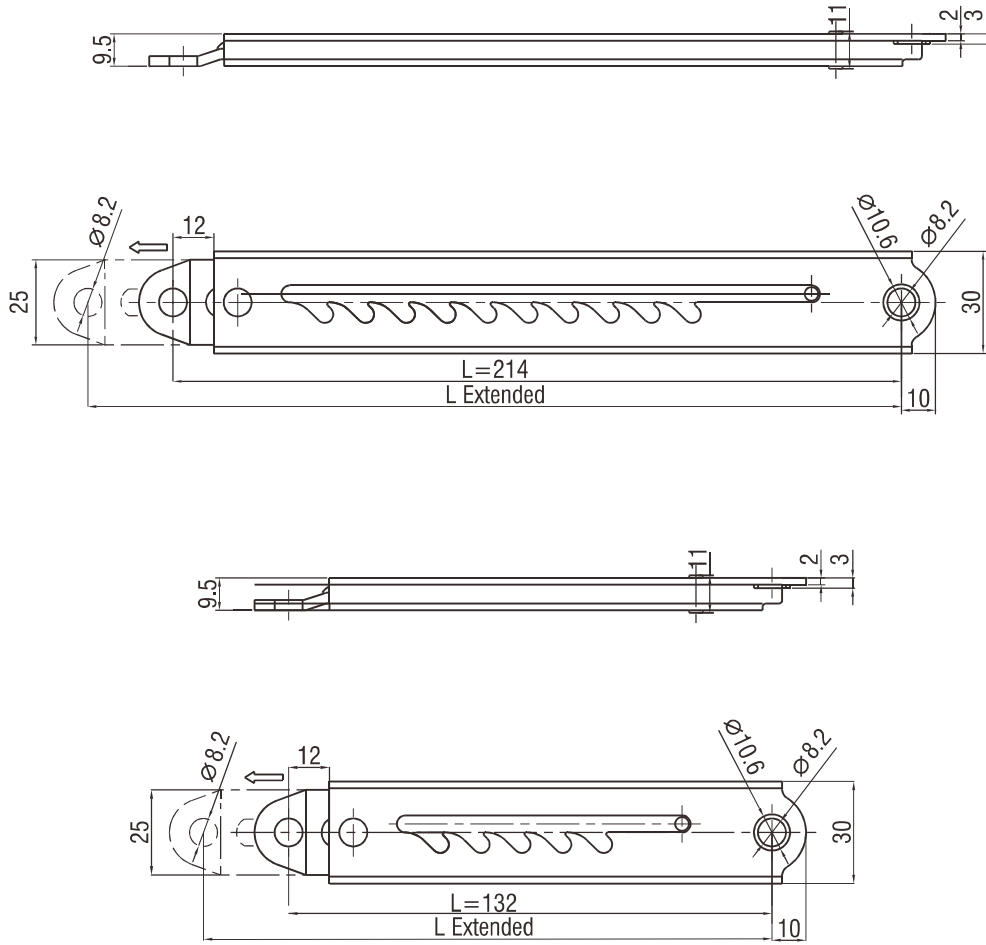
6201-02-00

滑动支撑

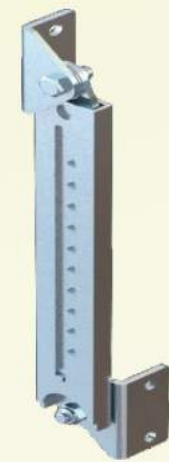
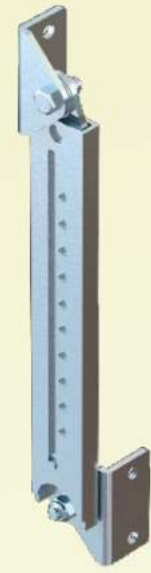
Telescopic Cover Stay

产品系列: 6301

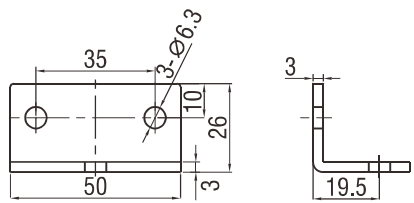
yeeka



RL



止口 Stop	长型 Long size L 伸出 L Extended	短型 Short size L 伸出 L Extended
1.	234.5	164
2.	248	177
3.	261	189.5
4.	274.5	202
5.	288	214.5
6.	301	
7.	314.5	
8.	327	
9.	340.5	
10.	354	



Mounting bracket (screw and selflocking not include)
Note: The cover stay is sold with mounting bracket and related accessories together as standard.

镀锌钢
M.S. zinc plated

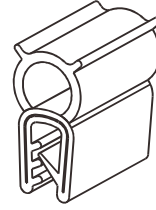
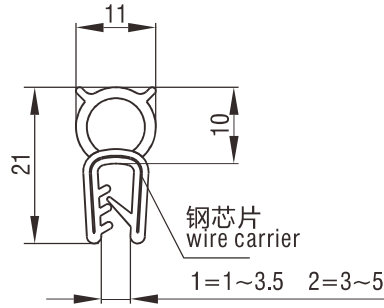
	止口数 Stops q.ty	铁镀锌 Steel in zinc plated
长型 Long size	10	6301-01-00
短型 Short size	5	6301-02-00

目录
Index

支撑杆 Cover stay

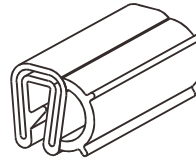
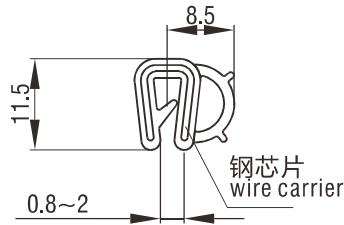
To get product 3D models freely, Please contact info@yeekaco.com

6C-001



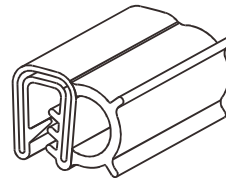
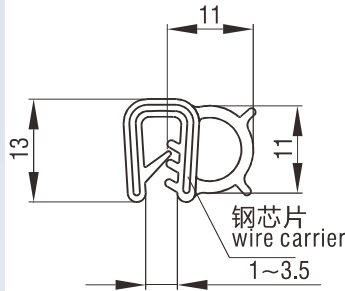
黑色发泡EPDM密封胶条
Sponge-rubber, black epdm gasket

Ts	
1~3.5	7201-211
3~5	7201-212



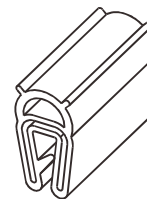
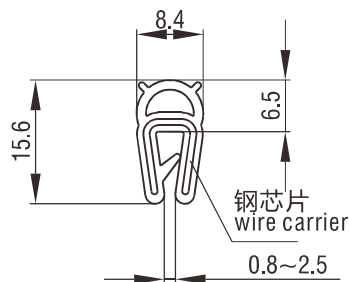
黑色发泡EPDM密封胶条
Sponge-rubber, black epdm gasket

	7202-115
--	----------



黑色发泡EPDM密封胶条
Sponge-rubber, black epdm gasket

	7203-13
--	---------



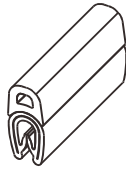
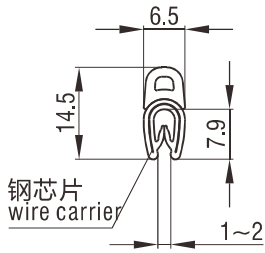
黑色发泡EPDM密封胶条
Sponge-rubber, black epdm gasket

	7203-156
--	----------

自夹紧式密封胶条 Self-gripping Gasketing

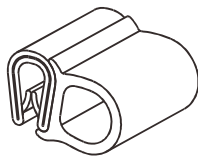
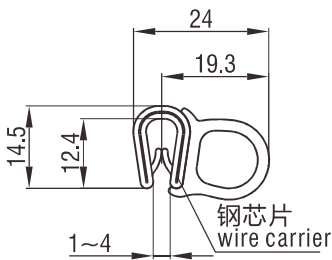
产品系列: 7204、7205、7206、7207、7404

yeeka



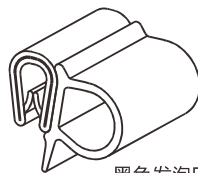
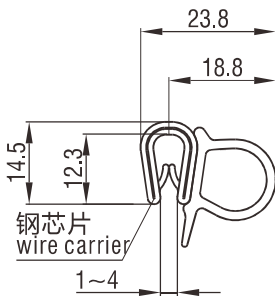
黑色发泡EPDM密封胶条
Sponge-rubber,black epdm gasket

7204-145



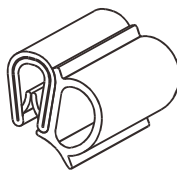
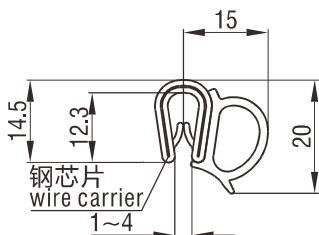
黑色发泡EPDM密封胶条
Sponge-rubber,black epdm gasket

7205-145



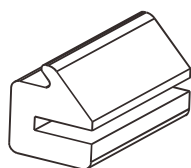
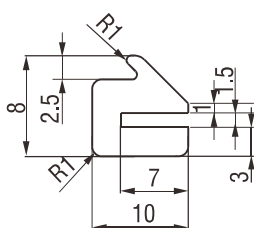
黑色发泡EPDM密封胶条
Sponge-rubber,black epdm gasket

7206-145



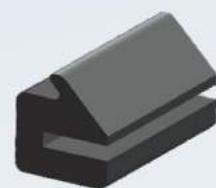
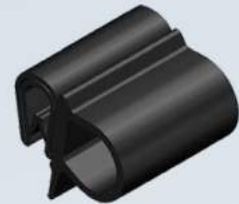
黑色发泡EPDM密封胶条
Sponge-rubber,black epdm gasket

7207-145



黑色发泡EPDM密封胶条
Sponge-rubber,black epdm gasket

7404-10

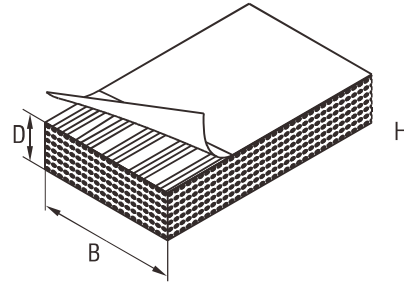


目录
Index

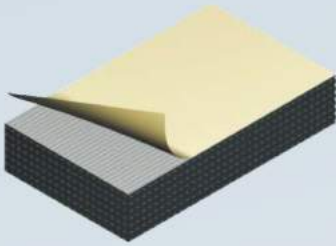
密封胶条
Gasketing

To get product 3D models freely, Please contact info@yeekaco.com

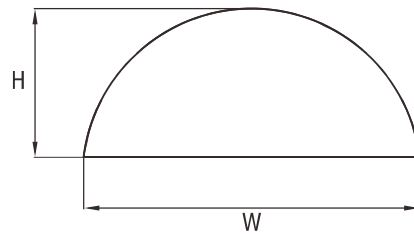
7B-002



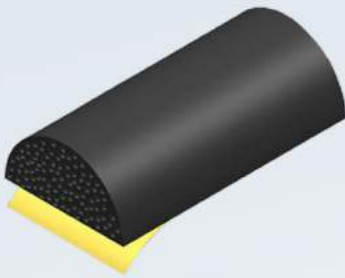
非延伸,自粘式,黑色发泡橡胶密封条
Cell sponge rubber ,black with strch eliminating self-adhesive backing



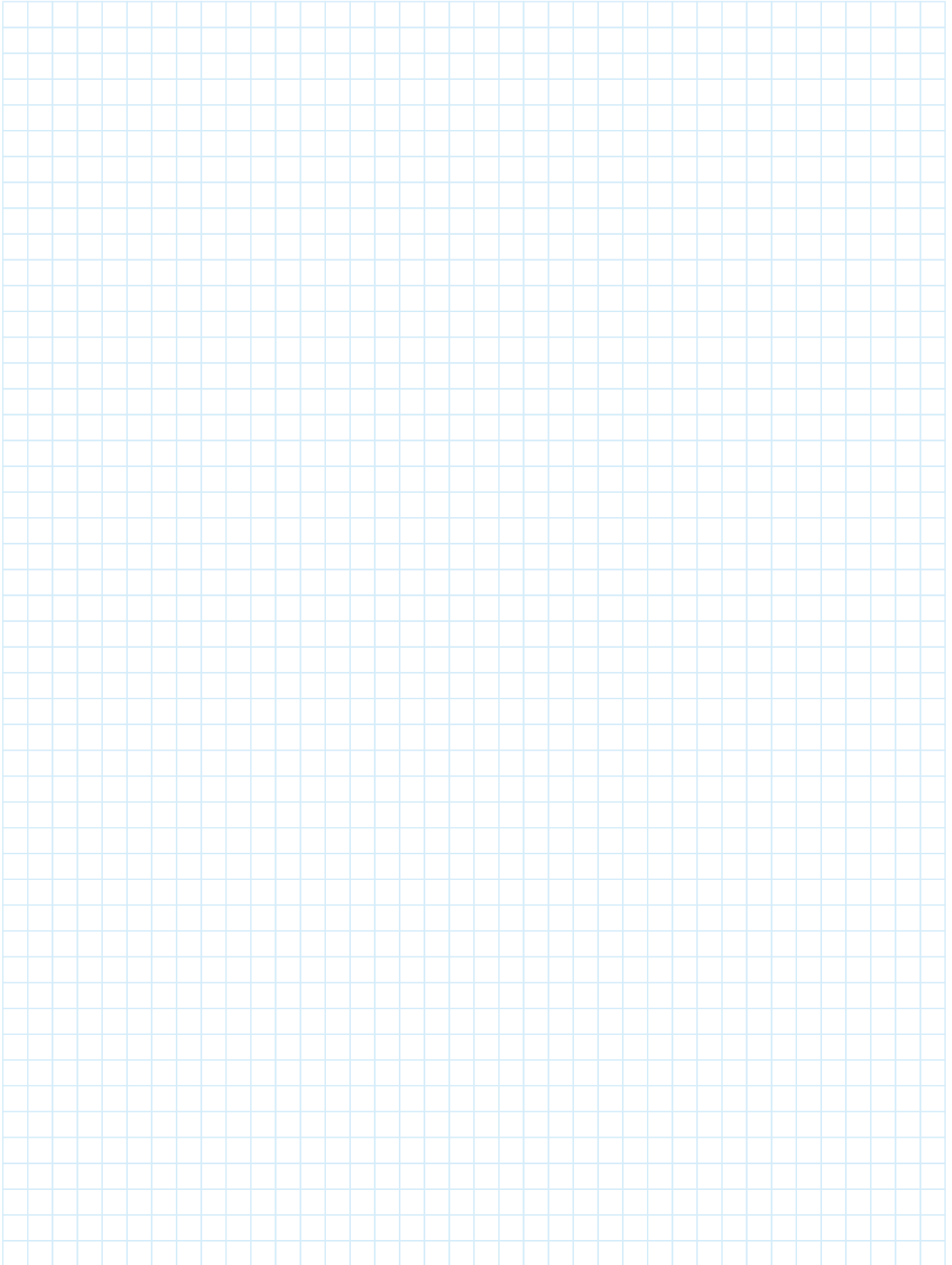
宽度 Width B	厚度 Depth D	天然橡胶 EPDM	氯丁橡胶 CR
10	3	7301-1003	7302-1003
	4	7301-1004	7302-1004
	5	7301-1005	7302-1005
15	3	7301-1503	7302-1503
	4	7301-1504	7302-1504
	5	7301-1505	7302-1505
20	3	7301-2003	7302-2003
	4	7301-2004	7302-2004
	5	7301-2005	7302-2005
25	3	7301-2503	7302-2503
	4	7301-2504	7302-2504
	6	7301-2506	7302-2506
30	3	7301-3003	7302-3003
	4	7301-3004	7302-3004
	5	7301-3005	7302-3005

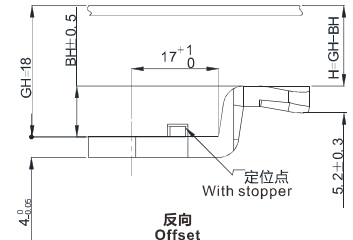
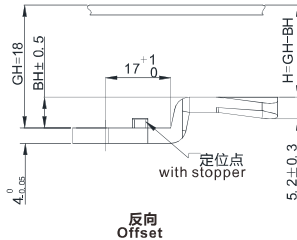
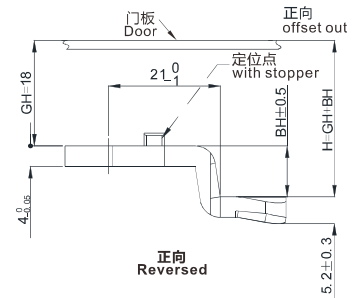
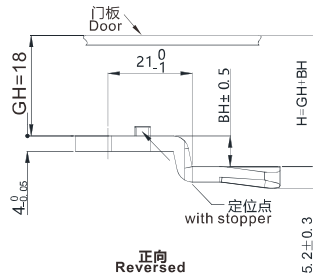
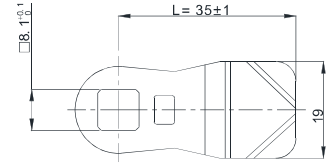
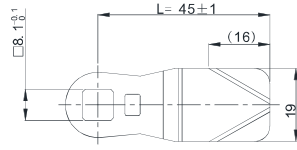
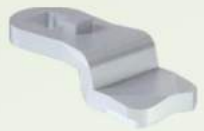
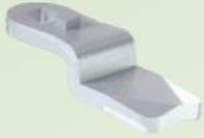


非延伸,自粘式,黑色发泡橡胶密封条
Cell sponge rubber ,black with strch eliminating self-adhesive backing



高度 H	宽度 W	天然橡胶 EPDM
7	16	7303-0716
5	16	7303-0516
3	16	7303-0316
8	16	7303-0816
7	10	7303-0710
12	10	7303-1210





铁镀锌, 可做不锈钢 M.S .zinc plated, stainless steel material upon request

BH	H=GH+BH						L=45mm		L=35mm	
	GH=18	GH=30	GH=36	GH=40	GH=50	GH=60	带定位点 with stopper	不带定位点 without stopper	带定位点 with stopper	不带定位点 without stopper
-16	2	14	20	24	34	44	9100-0402	9100-0402F		
-14	4	16	22	26	36	46	9100-0404	9100-0404F		
-12	6	18	24	28	38	48	9100-0406	9100-0406F	9100-0606	9100-0606F
-10	8	20	26	30	40	50	9100-0408	9100-0408F	9100-0608	9100-0608F
-8	10	22	28	32	42	52	9100-0410	9100-0410F	9100-0610	9100-0610F
-5	13	25	31	35	45	55	9100-0413	9100-0413F	9100-0613	9100-0613F
-4	14	26	32	36	46	56	9100-0414	9100-0414F	9100-0614	9100-0614F
-2	16	28	34	38	48	58	9100-0416	9100-0416F	9100-0616	9100-0616F
0	18	30	36	40	50	60	9100-0418	9100-0418F	9100-0618	9100-0618F
+2	20	32	38	42	52	62	9100-0420	9100-0420F	9100-0620	9100-0620F
+4	22	34	40	44	54	64	9100-0422	9100-0422F	9100-0622	9100-0622F
+6	24	36	42	46	56	66	9100-0424	9100-0424F	9100-0624	9100-0624F
+7	25	37	43	47	57	67	9100-0425	9100-0425F	9100-0625	9100-0625F
+8	26	38	44	48	58	68	9100-0426	9100-0426F	9100-0626	9100-0626F
+10	28	40	46	50	60	70	9100-0428	9100-0428F	9100-0628	9100-0628F
+12	30	42	48	52	62	72	9100-0430	9100-0430F	9100-0630	9100-0630F
+14	32	44	50	54	64	74	9100-0432	9100-0432F		
+16	34	46	52	56	66	76	9100-0434	9100-0434F		
+17	35	47	53	57	67	77	9100-0435	9100-0435F	9100-0635	9100-0635F
+18	36	48	54	58	68	78	9100-0436	9100-0436F		
+20	38	50	56	60	70	80	9100-0438	9100-0438F	9100-0638	9100-0638F
+22	40	52	58	62	72	82	9100-0440	9100-0440F	9100-0640	9100-0640F
+24	42	54	60	64	74	84	9100-0442	9100-0442F	9100-0642	9100-0642F
+26	44	56	62	66	76	86	9100-0444	9100-0444F	9100-0644	9100-0644F
+27	45	57	63	67	77	87	9100-0445	9100-0445F		
+29	47	59	65	69	79	89	9100-0447	9100-0447F		
+32	50	62	68	72	82	92	9100-0450	9100-0450F		
+35	53	65	71	75	85	95	9100-0453	9100-0453F		
+37	55	67	73	77	87	97	9100-0455	9100-0455F		

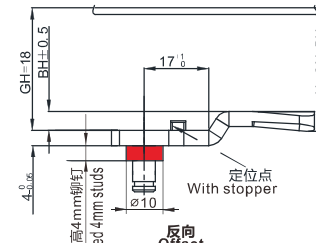
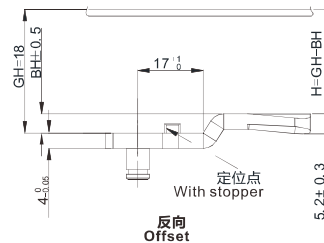
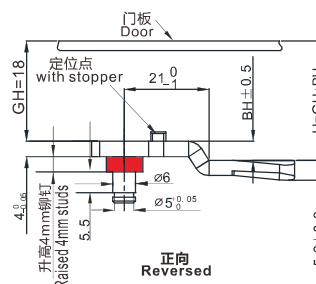
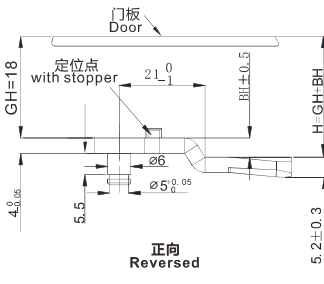
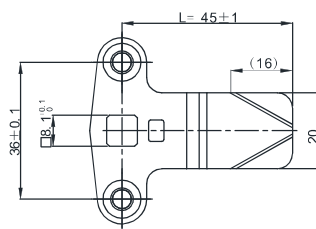
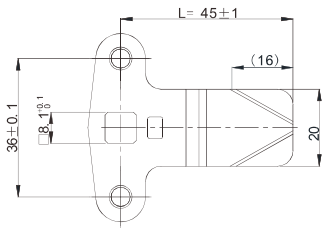
锁舌 Cam

产品系列: 9100



目录
Index

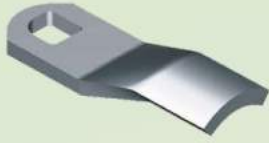
附件系列
Accessories



铁镀锌, 可做不锈钢 M.S .zinc plated, stainless steel material upon request

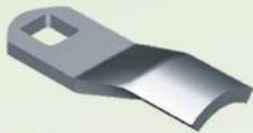
BH	H=GH+BH						常规铆钉 Normal studs		升高4mm铆钉 Raised 4mm studs	
	GH=18	GH=30	GH=36	GH=40	GH=50	GH=60	带定位点 with stopper	不带定位点 without stopper	带定位点 with stopper	不带定位点 without stopper
-16	2	14	20	24	34	44				
-14	4	16	22	26	36	46	9100-9504	9100-9504F	9100-9604	9100-9604F
-12	6	18	24	28	38	48	9100-9506	9100-9506F	9100-9606	9100-9606F
-10	8	20	26	30	40	50	9100-9508	9100-9508F	9100-9608	9100-9608F
-8	10	22	28	32	42	52	9100-9510	9100-9510F	9100-9610	9100-9610F
-5	13	25	31	35	45	55	9100-9513	9100-9513F	9100-9613	9100-9613F
-4	14	26	32	36	46	56	9100-9514	9100-9514F	9100-9614	9100-9614F
-2	16	28	34	38	48	58	9100-9516	9100-9516F	9100-9616	9100-9616F
0	18	30	36	40	50	60	9100-9518	9100-9518F	9100-9618	9100-9618F
+2	20	32	38	42	52	62	9100-9520	9100-9520F	9100-9620	9100-9620F
+4	22	34	40	44	54	64	9100-9522	9100-9522F	9100-9622	9100-9622F
+6	24	36	42	46	56	66	9100-9524	9100-9524F	9100-9624	9100-9624F
+7	25	37	43	47	57	67	9100-9525	9100-9525F	9100-9625	9100-9625F
+8	26	38	44	48	58	68	9100-9526	9100-9526F	9100-9626	9100-9626F
+10	28	40	46	50	60	70	9100-9528	9100-9528F	9100-9628	9100-9628F
+12	30	42	48	52	62	72	9100-9530	9100-9530F	9100-9630	9100-9630F
+14	32	44	50	54	64	74	9100-9532	9100-9532F	9100-9632	9100-9632F
+16	34	46	52	56	66	76	9100-9534	9100-9534F	9100-9634	9100-9634F
+17	35	47	53	57	67	77	9100-9535	9100-9535F	9100-9635	9100-9635F
+18	36	48	54	58	68	78	9100-9536	9100-9536F	9100-9636	9100-9636F
+20	38	50	56	60	70	80	9100-9538	9100-9538F	9100-9638	9100-9638F
+22	40	52	58	62	72	82	9100-9540	9100-9540F	9100-9640	9100-9640F
+24	42	54	60	64	74	84	9100-9542	9100-9542F	9100-9642	9100-9642F
+26	44	56	62	66	76	86	9100-9544	9100-9544F	9100-9644	9100-9644F
+27	45	57	63	67	77	87	9100-9545	9100-9545F	9100-9645	9100-9645F
+29	47	59	65	69	79	89	9100-9547	9100-9547F	9100-9647	9100-9647F
+32	50	62	68	72	82	92	9100-9550	9100-9550F	9100-9650	9100-9650F
+35	53	65	71	75	85	95				
+37	55	67	73	77	87	97				

9A-002



可选锁具Lock ref. to page#

1.锁具1415系列(见页面1D-014)
Lock 1415 Series(page 1D-014)



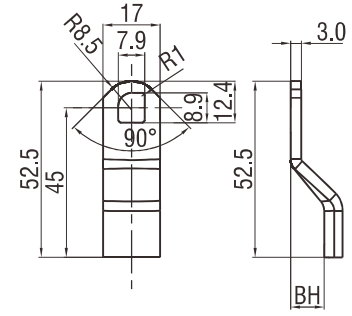
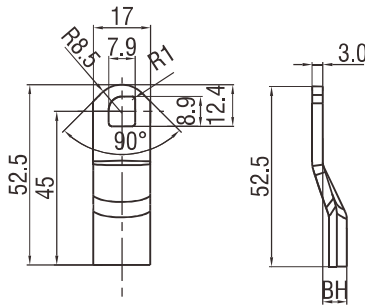
可选锁具Lock ref. to page#

1.锁具1423固定间距系列(见页面1D-026/027)
Lock 1423 Series fixed grip range
(page 1D-026/027)

2.锁具1436固定间距系列(见页面1D-037/039)
Lock 1436 Series fixed grip range
(page 1D-037/039)

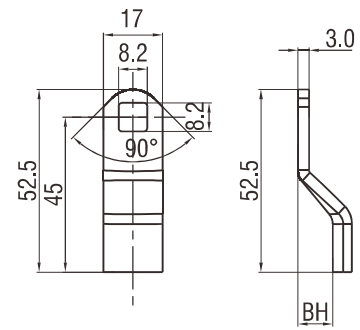
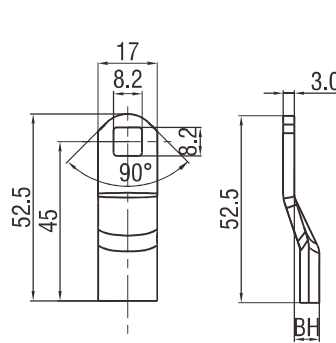
3.锁具1437短轴系列(见页面1D-041)
Lock 1437 Series short shaft
(page 1D-041)

4.锁具1439短轴系列(见页面1D-043)
Lock 1439 Series short shaft
(page 1D-043)



铁镀锌
M.S. zinc plated

锁舌种类 Cam type	总间距 Total grip	锁舌偏至 Cam offset	外门最大厚度 已组装门锁 Max.outer door Ts For assembled latch	锁舌种类 Cam type	总间距 Total grip	锁舌偏至 Cam offset	外门最大厚度 已组装门锁 Max.outer door Ts For assembled latch
9100-0700	/	/	/	9100-0710	18	2	6
9100-0701	/	/	/	9100-0711	20	4	6
9100-0702	2	-14	1	9100-0712	22	6	6
9100-0703	4	-12	3	9100-0713	24	8	6
9100-0704	6	-10	5	9100-0714	26	10	6
9100-0705	8	-8	6	9100-0715	28	12	6
9100-0706	10	-6	6	9100-0716	30	14	6
9100-0707	12	-4	6	9100-0717	32	16	6
9100-0708	14	-2	6	9100-0718	34	18	6
9100-0709	16	0	6	9100-0719	36	20	6



铁镀锌
M.S. zinc plated

锁舌种类 Cam type	总间距 Total grip	锁舌偏至 Cam offset	外门最大厚度 已组装门锁 Max.outer door Ts For assembled latch	锁舌种类 Cam type	总间距 Total grip	锁舌偏至 Cam offset	外门最大厚度 已组装门锁 Max.outer door Ts For assembled latch
9100-0800	15	-18	14	9100-0810	35	2	7
9100-0801	17	-16	16	9100-0811	37	4	7
9100-0802	19	-14	18	9100-0812	39	6	7
9100-0803	21	-12	18	9100-0813	41	8	7
9100-0804	23	-10	18	9100-0814	43	10	7
9100-0805	25	-8	18	9100-0815	45	12	7
9100-0806	27	-6	18	9100-0816	47	14	7
9100-0807	29	-4	18	9100-0817	49	16	7
9100-0808	31	-2	18	9100-0818	51	18	7
9100-0809	33	0	18	9100-0819	53	20	7

锁舌 Cam

产品系列: 9100

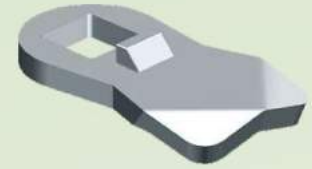
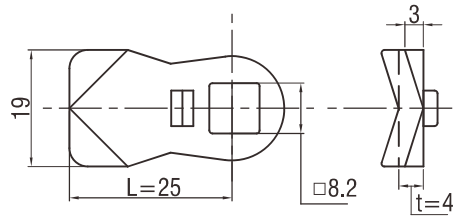
yeeka

目录
Index

附件系列
Accessories

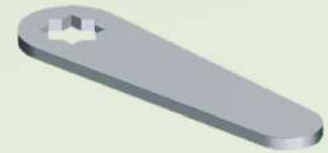
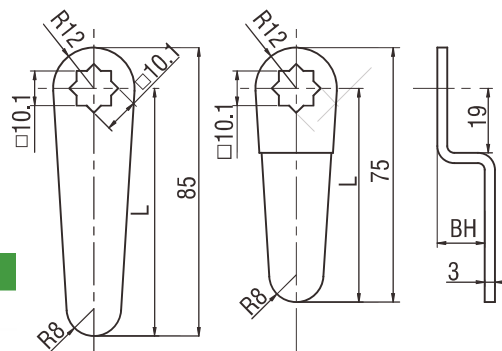
铁镀锌
M.S. zinc plated

	中心距 L	折弯高度
9100-2518	25	0
9100-2018	20	0



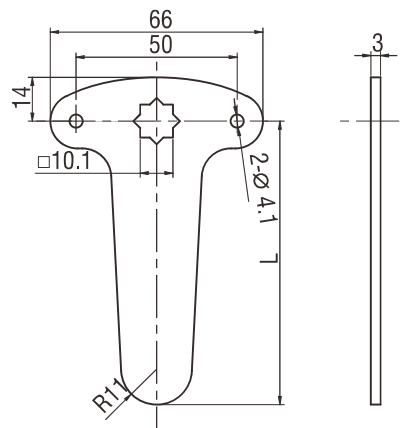
铁镀锌
M.S. zinc plated

	中心距 L	折弯高度 BH
9100-4901-6002	60	2
9100-4901-6314	63	14
9100-4901-7300	73	0



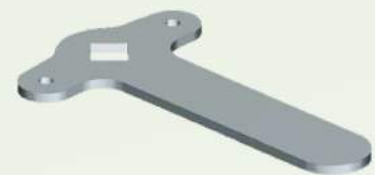
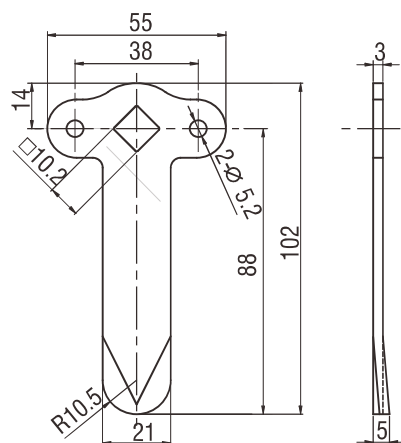
铁镀锌
M.S. zinc plated

	中心距 L	折弯高度 BH
9100-4902-6012	60	12
9100-4902-8118	81	18
9100-4902-8800	88	0



铁镀锌
M.S. zinc plated

	中心距 L	折弯高度 BH
9100-4501-8800	88	0

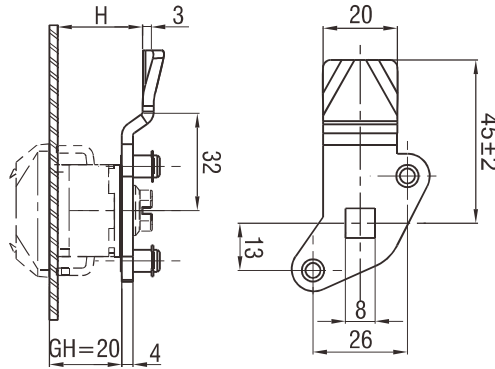


To get product 3D models freely, Please contact info@yeekaco.com

9A-004

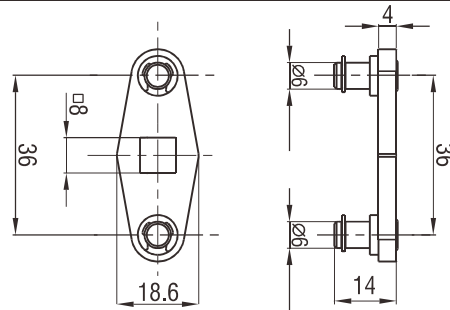


行程 26mm
stroke 26mm



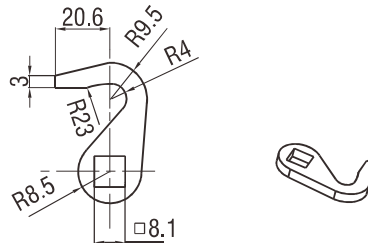
铁镀锌
M.S. zinc plated

H	左 Left	右 Right
25	9100-9425L	9100-9425R
27	9100-9427L	9100-9427R
29	9100-9429L	9100-9429R
31	9100-9431L	9100-9431R



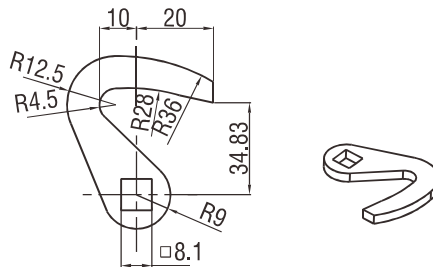
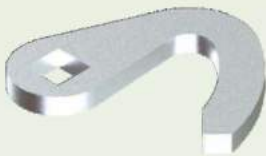
铁镀锌
M.S. zinc plated

90°方孔型带圆铆钉	9100-3618A
45°方孔型带圆铆钉	9100-3618B
90°方孔型带圆铆钉螺纹	9100-3618C



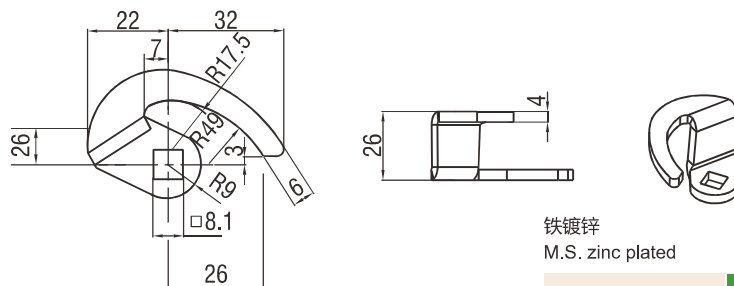
铁镀锌
M.S. zinc plated

	9100-1703
--	-----------



铁镀锌
M.S. zinc plated

	9100-1701
--	-----------



铁镀锌
M.S. zinc plated

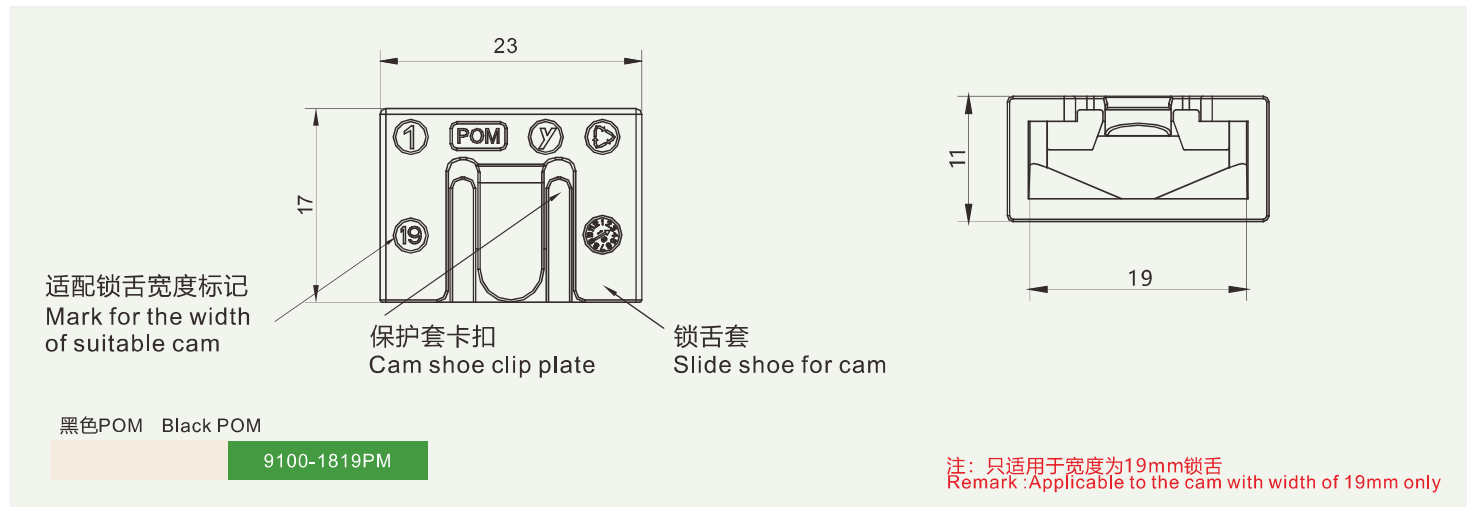
	9100-1702
--	-----------

锁舌套 Slide shoe

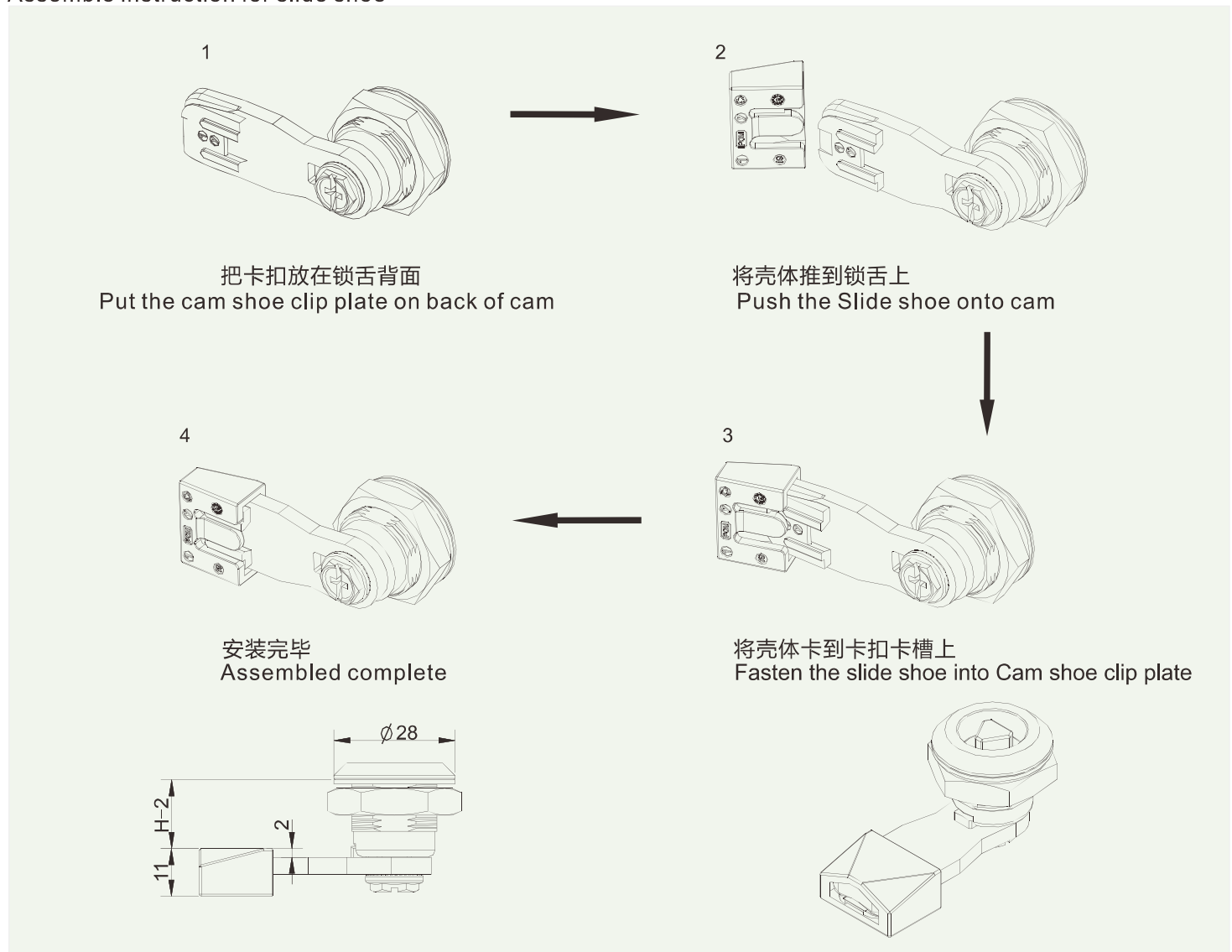
产品系列: 9100

yeeka

锁舌保护套 Slide shoe for cam

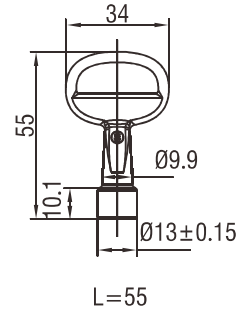
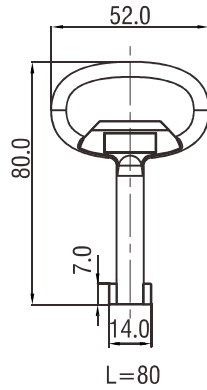


锁舌保护套安装说明 Assemble instruction for slide shoe

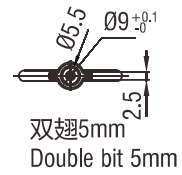
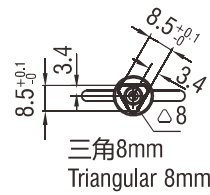
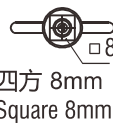


注意事项: 如果锁舌使用保护套, 那尺寸H要减去2mm
Notes: If the guiding shoe for the cam is used, the H dimension is reduced by 2 mm

9A-006

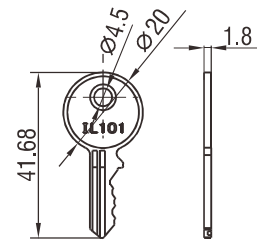
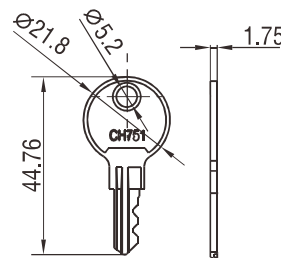
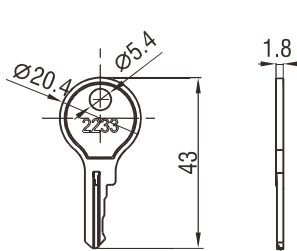
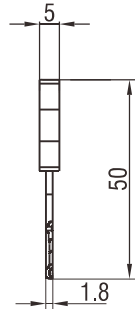
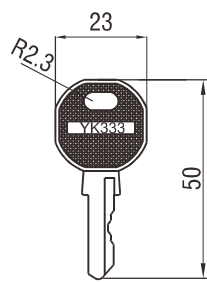


钥匙类型 Key Code



锌合金, 喷塑黑 或电镀亮铬
Zinc die, black powder coated or bright chrome

钥匙类型 Key type	长度 L=80mm		长度 L=55mm	
	喷塑黑 Black powder coated	亮铬 Bright chrome	喷塑黑 Black powder coated	亮铬 Bright chrome
双翅 Double Bit 5mm	9200-80-015-20	9200-80-015-30	9200-55-015-20	9200-55-015-30
三角 8mm Triangular 8mm	9200-80-038-20	9200-80-038-30	9200-55-038-20	9200-55-038-30
四方 8mm Square 8mm	9200-80-048-20	9200-80-048-30	9200-55-048-20	9200-55-048-30

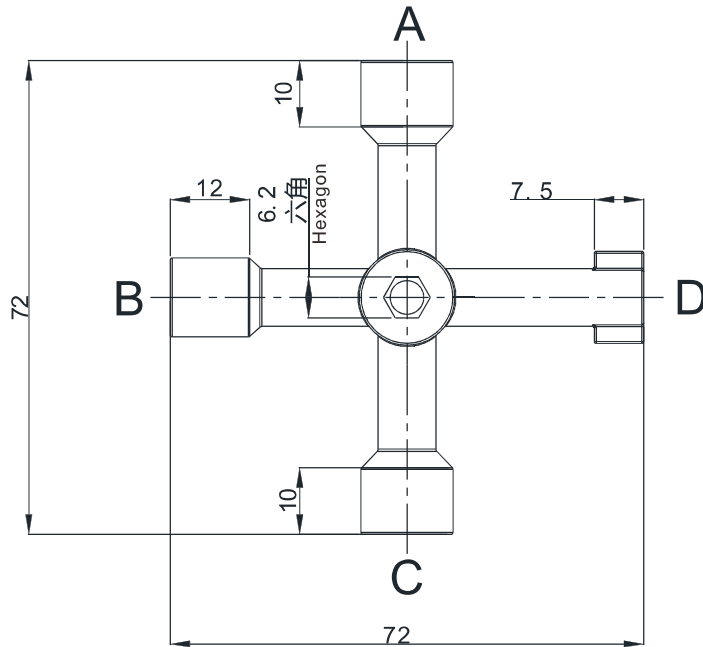


型号 Key type	钥匙类型 Key code	材质 Material
9200-333	YK333	全铜 Full brass
9200-333PA		塑料柄铜钥匙 PA knob+brass key
9200-751	CH751	全铜 Full brass
9200-2233	YK2233	全铜 Full brass
9200-101	YK101	全铜 Full brass

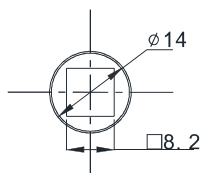
钥匙 Key

产品系列: 9200

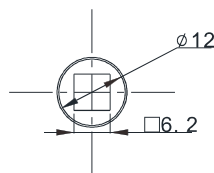
yeeka



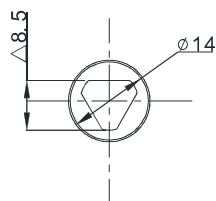
A: 适用于四方八锁芯
A: For Square 8mm insert



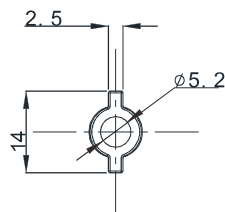
B: 适用于四方六锁芯
B: For Square 6mm insert



C: 适用于三角八锁芯
C: For Triangular 8mm insert



D: 适用于双翅三, 四, 五锁芯
D: For Double Bit 3mm/4mm/5mm insert



锌合金, 喷砂镀镍。
Zinc alloy, Sandblastin nickel plating.

喷砂镀镍 Sandblasting nickel plating

9200-01-78

NEW

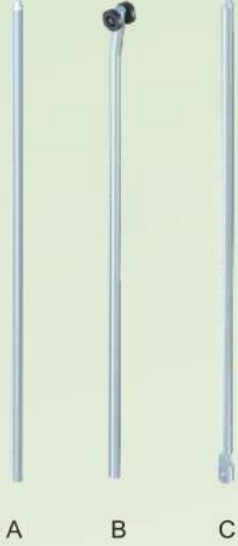


目录
Index

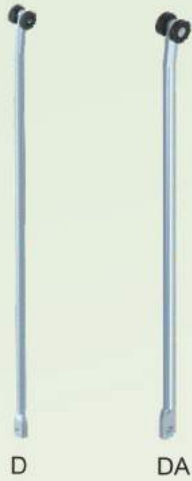
附件系列
Accessories

To get product 3D models freely, Please contact info@yeekaco.com

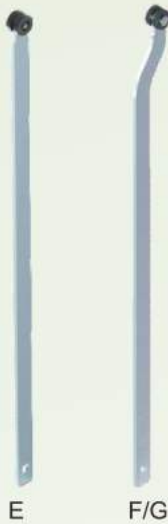
9B-002



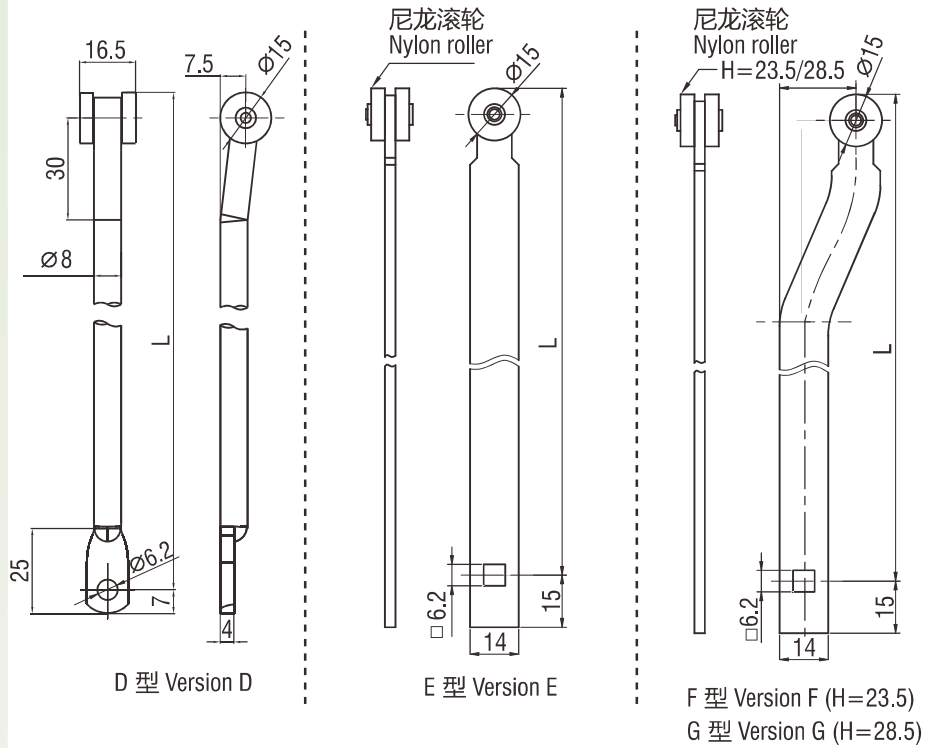
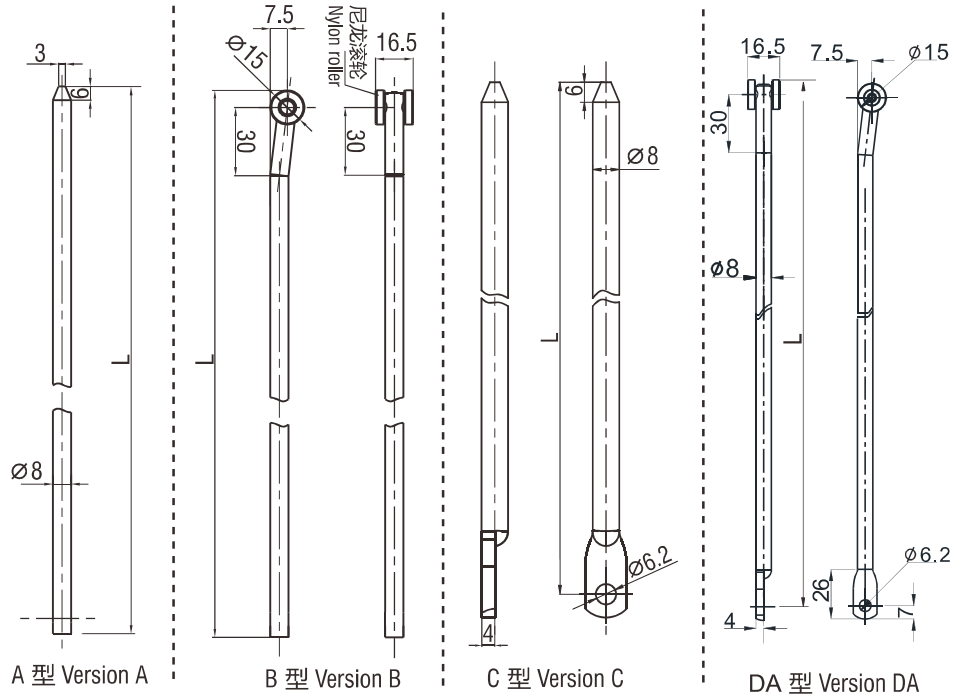
A B C



D DA



E F/G

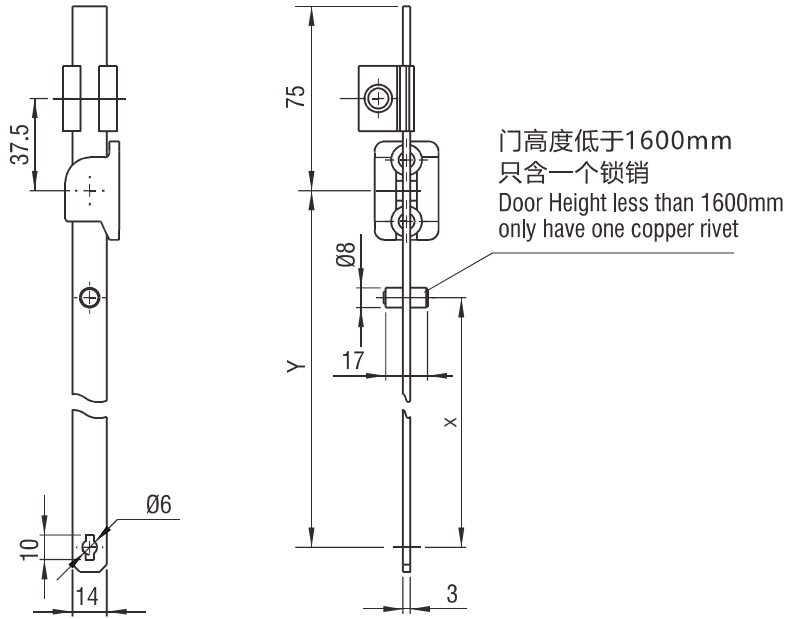


长度	L A 型 Version A	B 型 Version B	C 型 Version C	D 型 Version D	DA 型 Version DA	E 型 Version E	F 型 Version F	G 型 Version G
400	9301-A-0400	9301-B-0400	9301-C-0400	9301-D-0400	9301-DA-0400	9301-E-0400	9301-F-0400	9301-G-0400
500	9301-A-0500	9301-B-0500	9301-C-0500	9301-D-0500	9301-DA-0500	9301-E-0500	9301-F-0500	9301-G-0500
600	9301-A-0600	9301-B-0600	9301-C-0600	9301-D-0600	9301-DA-0600	9301-E-0600	9301-F-0600	9301-G-0600
700	9301-A-0700	9301-B-0700	9301-C-0700	9301-D-0700	9301-DA-0700	9301-E-0700	9301-F-0700	9301-G-0700
800	9301-A-0800	9301-B-0800	9301-C-0800	9301-D-0800	9301-DA-0800	9301-E-0800	9301-F-0800	9301-G-0800
900	9301-A-0900	9301-B-0900	9301-C-0900	9301-D-0900	9301-DA-0900	9301-E-0900	9301-F-0900	9301-G-0900
1000	9301-A-1000	9301-B-1000	9301-C-1000	9301-D-1000	9301-DA-1000	9301-E-1000	9301-F-1000	9301-G-1000
1100	9301-A-1100	9301-B-1100	9301-C-1100	9301-D-1100	9301-DA-1100	9301-E-1100	9301-F-1100	9301-G-1100

备注: Remark 拉杆起订量100PCS MOQ=100PCS

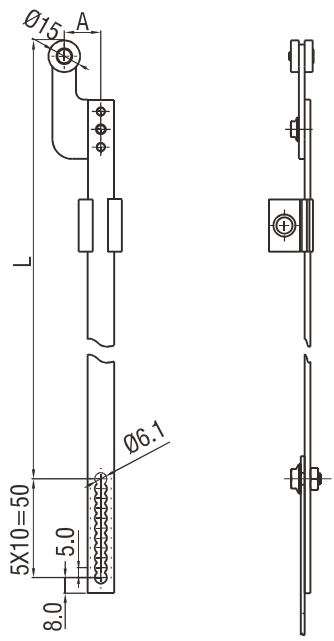
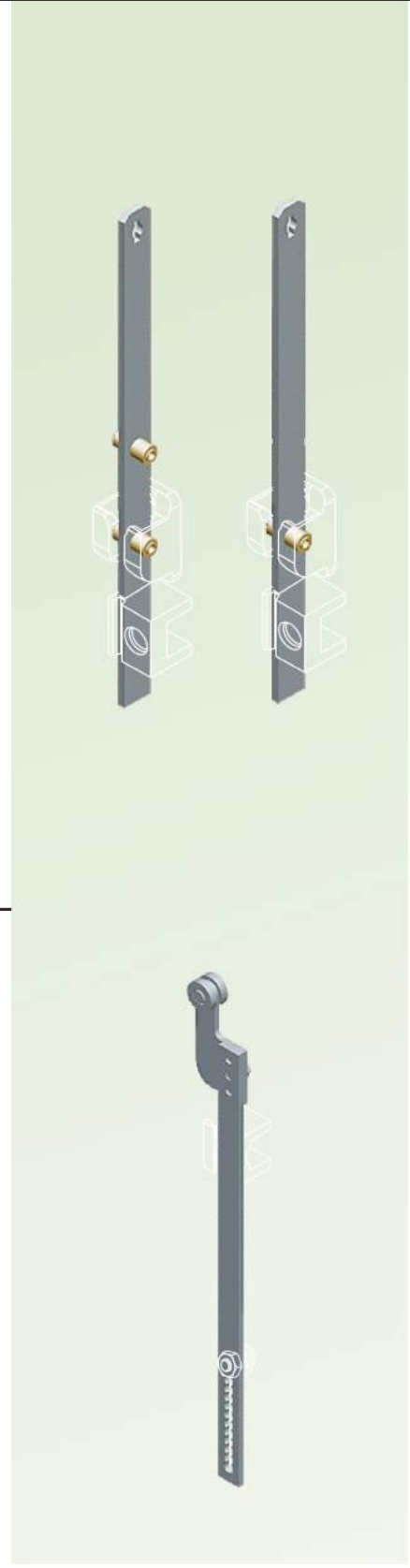
拉杆 Rod

产品系列: 9301



铁镀锌
M.S. zinc plated

门高度 Door height	连杆 Rods		H 型 Version H
	Dim. X	Dim. Y	
800-1200	—	126.5	9301-H-126.5
1200-1600	—	276.5	9301-H-276.5
1600-1900	101.5	526.5	9301-H-526.5
1900-2200	101.5	676.5	9301-H-676.5



铁镀锌
M.S. zinc plated

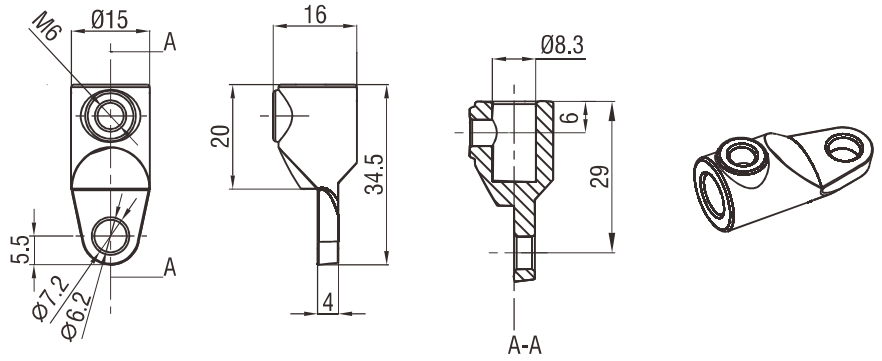
X 型 Version X	A	长度 L								
		18.5	22.5	27.5	18.5	22.5	27.5	18.5	22.5	27.5
		9301-X-18.5-0400	9301-X-22.5-0400	9301-X-27.5-0400	9301-X-18.5-0500	9301-X-22.5-0500	9301-X-27.5-0500	9301-X-18.5-0600	9301-X-22.5-0600	9301-X-27.5-0600
		9301-X-18.5-0700	9301-X-22.5-0700	9301-X-27.5-0700	9301-X-18.5-0800	9301-X-22.5-0800	9301-X-27.5-0800	9301-X-18.5-0900	9301-X-22.5-0900	9301-X-27.5-0900
		9301-X-18.5-1000	9301-X-22.5-1000	9301-X-27.5-1000	9301-X-18.5-1100	9301-X-22.5-1100	9301-X-27.5-1100			

目录
Index

附件系列
Accessories

To get product 3D models freely, Please contact info@yeekaco.com

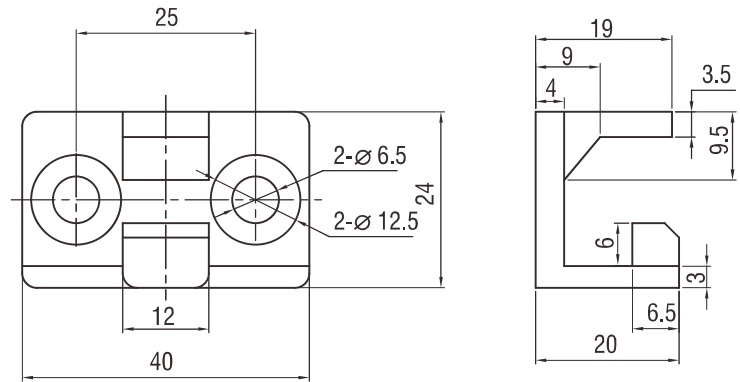
9C-002



锌合金, 镀锌或全不锈钢
Zinc die, zinc plated or SUS 304

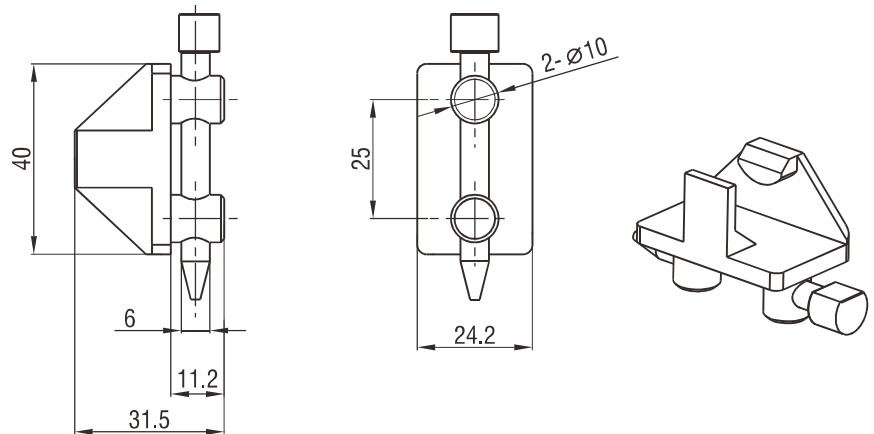
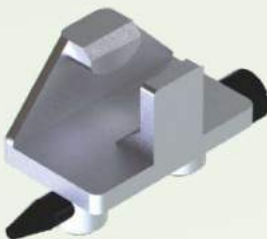
锌合金 Zinc die	不锈钢 316 SUS 316
9405-01	9405-01-316

固定件 Rod catch



锌合金, 喷塑黑
Zinc die, black powder coated

9401-4024



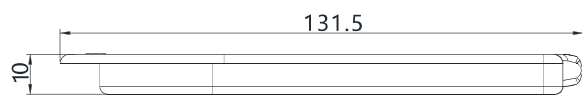
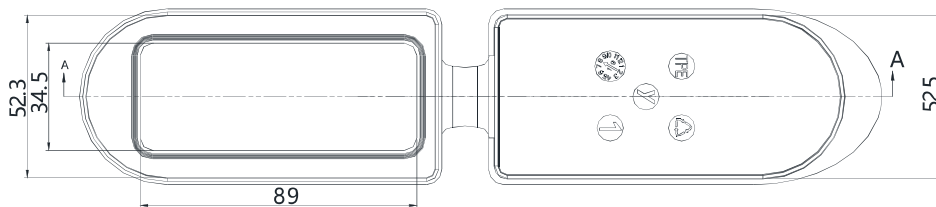
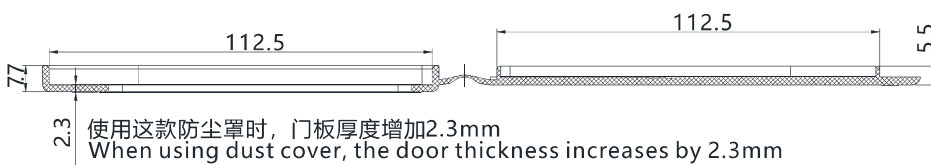
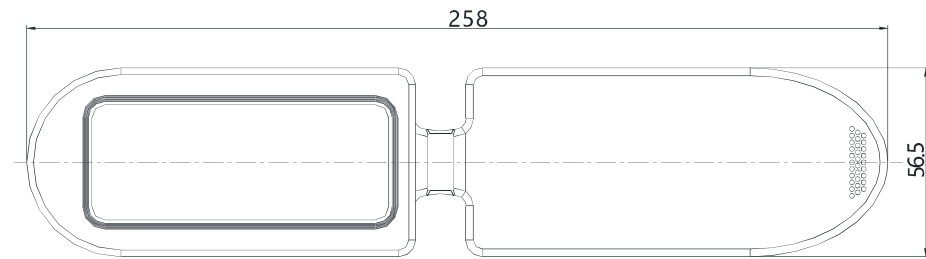
锌合金, 喷塑黑, PA 夹紧销轴
Zinc die, black powder coated, black PA clamping pin

9401-4025

拉杆附件 Rod accessories

产品系列: 9401

yeeka



当盖子关闭时, 总厚度为10mm
When cover is closed, the total thickness is 10 mm

材质: TPE
Material: TPE

9401-1245

NEW



备注: Remark:

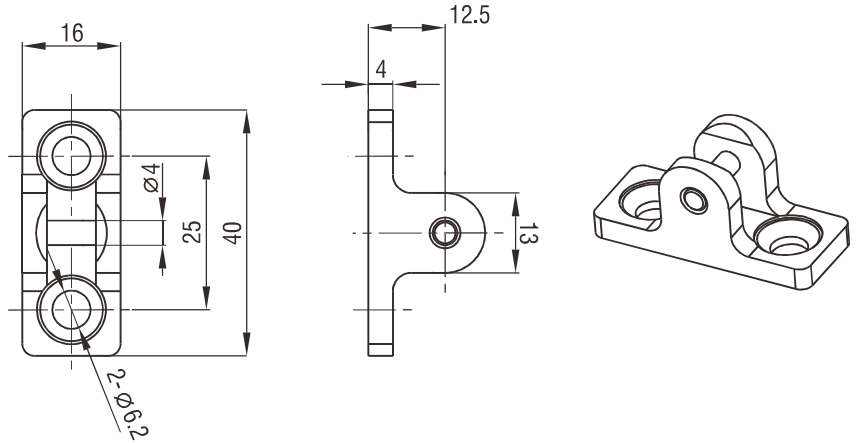
1. 适用于1245系列, 见页面1B-012
Suitable for 1245 series, ref. to page 1B-12

目录
Index

附件系列
Accessories

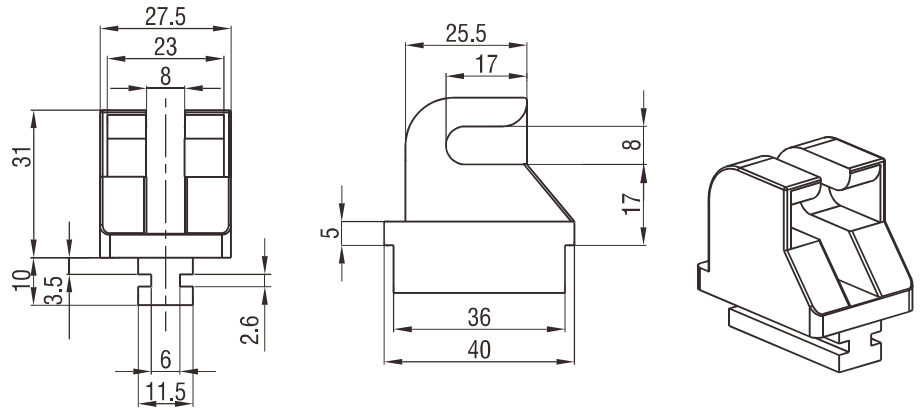
To get product 3D models freely, Please contact info@yeekaco.com

9D-002



锌合金, 镀锌
Zinc die, zinc plated

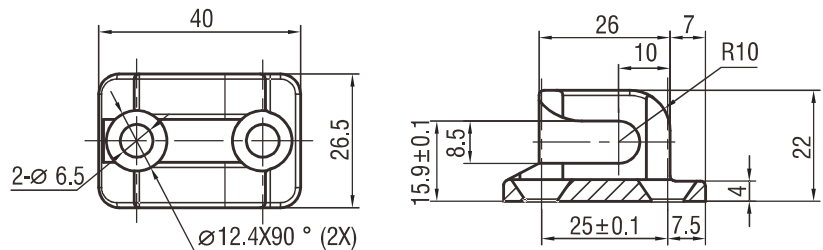
9401-4019



锌合金, 喷塑黑
Zinc die, black powder coated

9401-4031

固定件 Rod catch



锌合金, 喷塑黑
Zinc die, black powder coated

镀锌 zinc plated

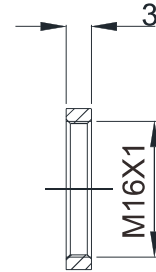
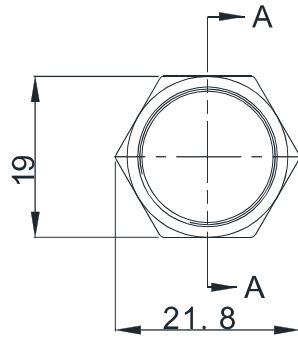
9401-4026-01

麻面黑 Black Textured Powder Coated

9401-4026-20



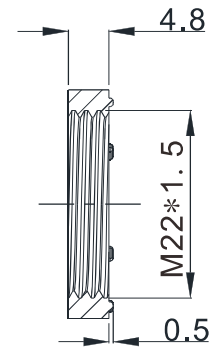
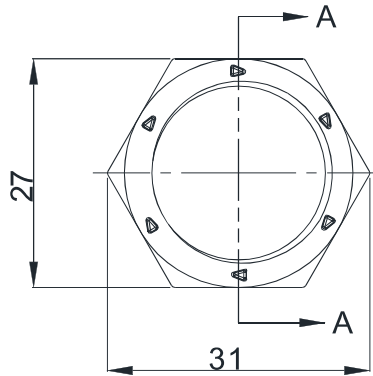
M16



剖面 A-A



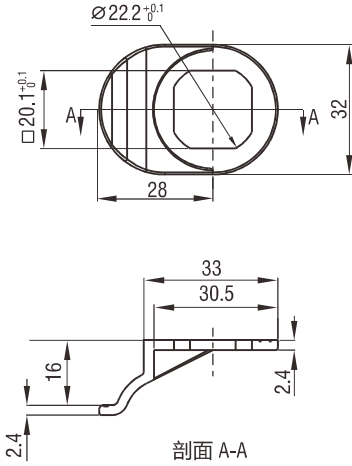
M22



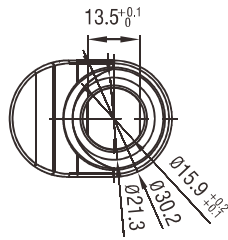
剖面 A-A

材质类型 Material	规格 Nut size			
	M16X1	M22X1.5		
		带单面三角型接地点 with triangular dot on one side	不带接地点 plain nut	带双面直条接地点 with straight dot on both side
锌合金 Zinc die casting	9501-M1601	9501-M220111	9501-M220122	9501-M220113
全铜 Full brass	9501-M1602			
不锈钢 Stainless steel			9501-M22304	

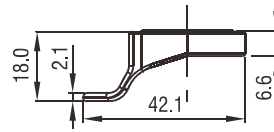
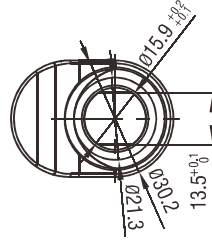
适用于孔型 22.5x20.1
 For cutout 22.5x20.1



锁闭状态与锁舌方向垂直
 Pull tab perpendicular to cam



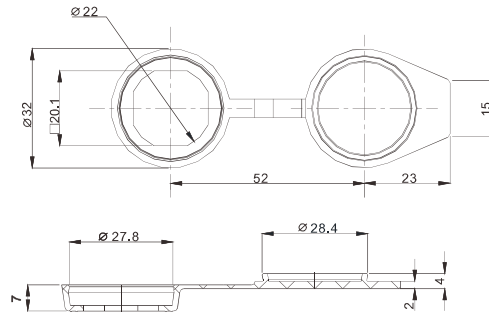
锁闭状态与锁舌方向平行
 Pull tab in-line with cam



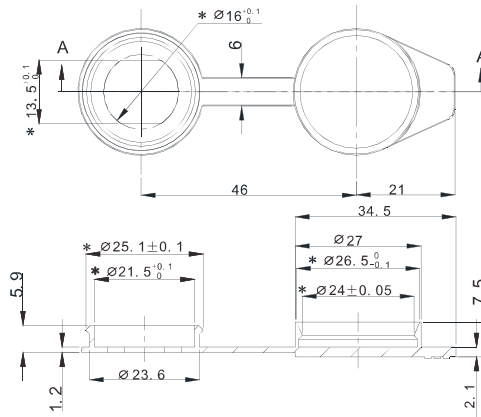
塑料 PA

适用孔型22.5X20.1 For cutout 22.5X20.1	9501-4702
锁闭状态与锁舌方向平行 Pull tab in-line with cam	适用孔型13.5X 016 For cutout 13.5X 016 9501-4704-1
锁闭状态与锁舌方向垂直 Pull tab perpendicular to cam	适用孔型13.5X016 For cutout 13.5X016 9501-4704-2

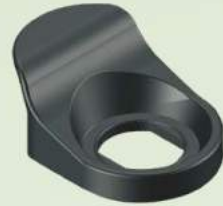
大型 Large size
 适用于孔型 22.5x20.1
 For cutout 22.5x20.1



小型 Small size
 适用于孔型 16x13.5
 For cutout 16x13.5

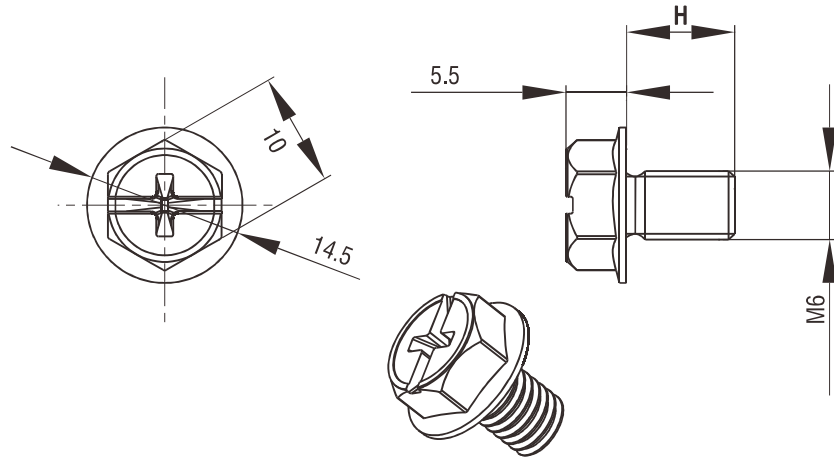


大型 Large size	9401-4101
小型 Small size	9401-4102



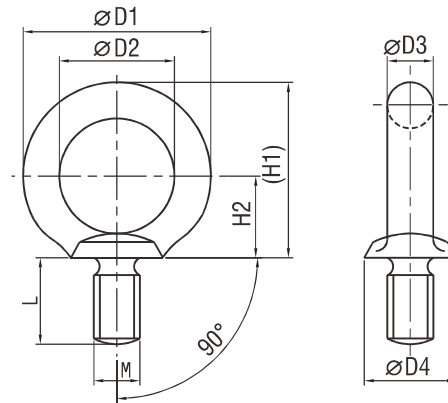


外六角十字法兰螺丝



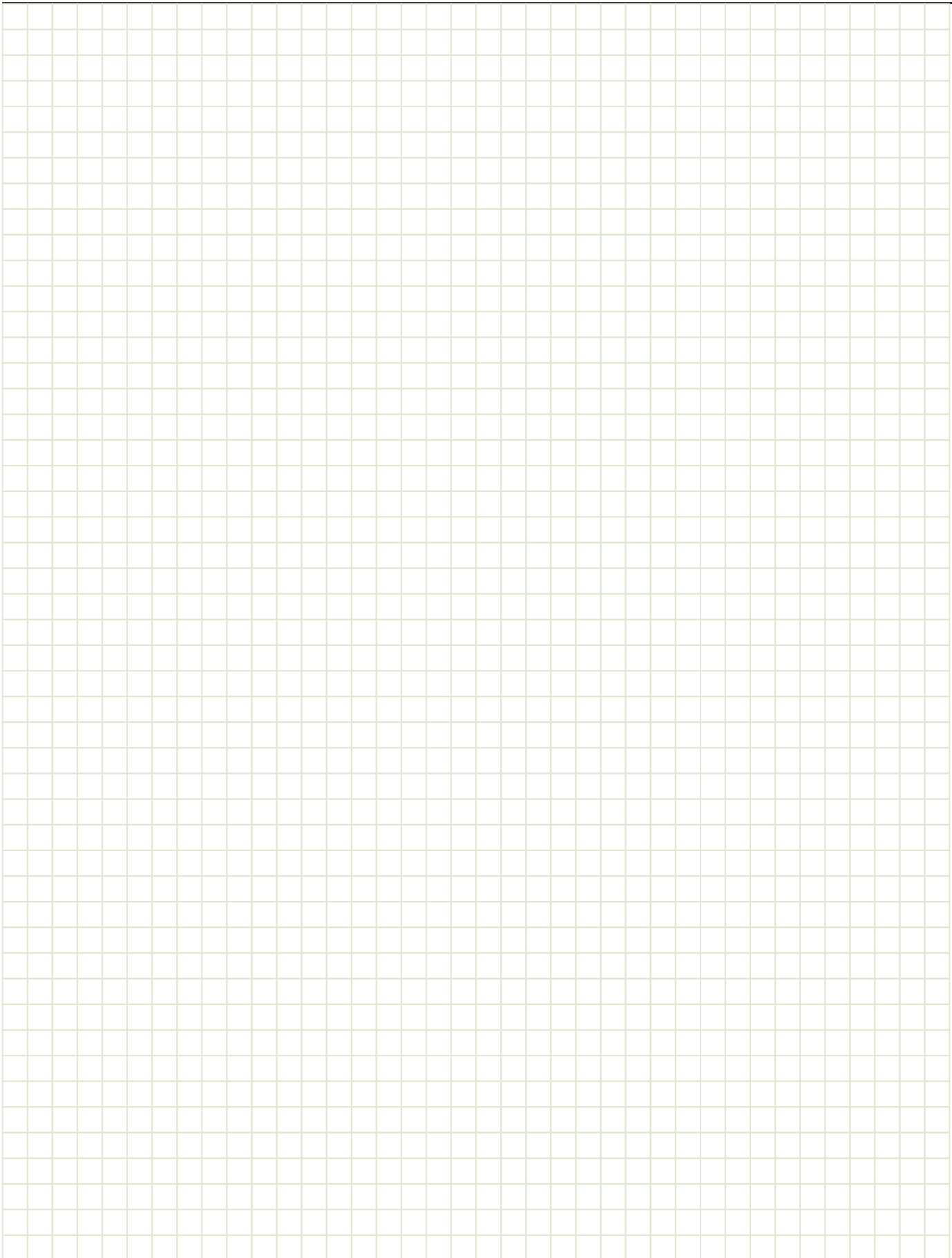
铁镀锌 M.S. zinc plated

	螺丝规格 Screw size		螺丝规格 Screw size
9601-M506	M5 X 6	9601-M606	M6 X 6
9601-M508	M5 X 8	9601-M608	M6 X 8
9601-M510	M5 X 10	9601-M610	M6 X 10
9601-M512	M5 X 12	9601-M612	M6 X 12
9601-M516	M5 X 16	9601-M616	M6 X 16
9601-M518	M5 X 18	9601-M618	M6 X 18



铁镀锌
M.S. zinc plated

	L	H1	H2	ø D1	ø D2	ø D3	ø D4	M
9606-M8	15	33.3	17	32.6	20	6.3	16	8
9606-M10	18	41.5	21	41	25	8	20	10
9606-M12	22	51	26	50	30	10	25	12
9606-M16	27	60	30	60	35	12.5	30	16
9606-M20	30	71	35	72	44	16	35	20
9606-M22	34	84	43	81	44	18	40	22
9606-M24	38	90	45	90	50	20	45	24
9606-M30	45	110	55	110	60	25	60	30
9606-M36	55	131.5	65	133	70	31.5	70	36



产品编号: Product code	页码: Page number
1100	1A-001 ----- 1A-002
1101	1A-003 ----- 1A-006
1102	1A-007 ----- 1A-014
1103	1A-015 ----- 1A-016
1104	1A-017 ----- 1A-017
1105	1A-018 ----- 1A-019
1106	1A-020 ----- 1A-021
1107	1A-022 ----- 1A-022
1108	1A-023 ----- 1A-023
1110	1A-024 ----- 1A-025
1113	1A-026 ----- 1A-026
1114	1A-027 ----- 1A-027
1116	1A-028 ----- 1A-028
1117	1A-029 ----- 1A-030
1118	1A-031 ----- 1A-032
1120	1A-033 ----- 1A-034
1122	1A-035 ----- 1A-035
1124	1A-036 ----- 1A-036
1123	1A-037 ----- 1A-039
1127	1A-040 ----- 1A-041
1128	1A-042 ----- 1A-042
1129	1A-042 ----- 1A-042
1132	1A-043 ----- 1A-043
1189	1A-044 ----- 1A-044
1190	1A-045 ----- 1A-045
1191	1A-045 ----- 1A-045
1192	1A-046 ----- 1A-046
1194	1A-046 ----- 1A-046
1193	1A-047 ----- 1A-047
1201	1B-001 ----- 1B-002
1205	1B-003 ----- 1B-003
1209	1B-003 ----- 1B-003
1207	1B-004 ----- 1B-004
1208	1B-004 ----- 1B-004
1221	1B-005 ----- 1B-005
1222	1B-006 ----- 1B-006
1240	1B-007 ----- 1B-007
1241	1B-008 ----- 1B-008
1242	1B-009 ----- 1B-010
1244	1B-011 ----- 1B-011
1245	1B-012 ----- 1B-012
1246	1B-013 ----- 1B-013
1247	1B-014 ----- 1B-014
1250	1B-015 ----- 1B-015
1251	1B-015 ----- 1B-015
1252	1B-016 ----- 1B-016
1254	1B-016 ----- 1B-016
1255	1B-017 ----- 1B-017
1256	1B-018 ----- 1B-018
1261	1B-019 ----- 1B-019
1262	1B-020 ----- 1B-020
1271	1B-021 ----- 1B-021
1272	1B-021 ----- 1B-021
1301	1C-001 ----- 1C-001
1310	1C-002 ----- 1C-002
1311	1C-003 ----- 1C-004
1312	1C-005 ----- 1C-005
1324	1C-005 ----- 1C-005
1316	1C-006 ----- 1C-006
1320	1C-007 ----- 1C-007
1321	1C-007 ----- 1C-007

产品编号: Product code	页码: Page number
1322	1C-008 ----- 1C-008
1325	1C-008 ----- 1C-008
1401	1D-001 ----- 1D-003
1402	1D-004 ----- 1D-006
1403	1D-006 ----- 1D-006
1404	1D-007 ----- 1D-007
1406	1D-008 ----- 1D-008
1407	1D-009 ----- 1D-009
1409	1D-010 ----- 1D-010
1410	1D-011 ----- 1D-011
1428	1D-011 ----- 1D-011
1412	1D-012 ----- 1D-012
1413	1D-013 ----- 1D-013
1415	1D-014 ----- 1D-014
1416	1D-015 ----- 1D-015
1417	1D-016 ----- 1D-016
1418	1D-016 ----- 1D-017
1419	1D-018 ----- 1D-019
1420	1D-020 ----- 1D-021
1421	1D-023 ----- 1D-023
1422	1D-024 ----- 1D-025
1423	1D-026 ----- 1D-027
1426	1D-028 ----- 1D-029
1427	1D-030 ----- 1D-031
1448	1D-032 ----- 1D-032
1430	1D-033 ----- 1D-033
1431	1D-034 ----- 1D-034
1432	1D-035 ----- 1D-035
1435	1D-035 ----- 1D-035
1434	1D-036 ----- 1D-036
1436	1D-037 ----- 1D-040
1437	1D-041 ----- 1D-041
1438	1D-042 ----- 1D-042
1439	1D-043 ----- 1D-043
1447	1D-044 ----- 1D-044
1451	1D-044 ----- 1D-044
1453	1D-045 ----- 1D-045
1462	1D-045 ----- 1D-045
1465	1D-046 ----- 1D-046
1601	1E-001 ----- 1E-001
1701	1F-001 ----- 1F-001
1702	1F-001 ----- 1F-001
1703	1F-002 ----- 1F-002
1704	1F-002 ----- 1F-002
1705	1F-003 ----- 1F-003
1708	1F-003 ----- 1F-003
1800	1G-001 ----- 1G-001
1801	1G-002 ----- 1G-002
1802	1G-003 ----- 1G-003
1802	1G-004 ----- 1G-004
1507	1H-001 ----- 1H-004
1518	1H-005 ----- 1H-005
2101	2A-001 ----- 2A-011
2104	2A-008 ----- 2A-008
2102	2A-012 ----- 2A-013
2105	2A-014 ----- 2A-014
2106	2A-014 ----- 2A-014
2107	2A-015 ----- 2A-015
2112	2A-015 ----- 2A-015

产品编号: Product code	页码: Page number
2113	2A-016 ----- 2A-016
2114	2A-016 ----- 2A-016
2115	2A-017 ----- 2A-017
2116	2A-017 ----- 2A-017
2118	2A-018 ----- 2A-019
2120	2A-022 ----- 2A-022
2121	2A-023 ----- 2A-024
2122	2A-024 ----- 2A-024
2124	2A-024 ----- 2A-024
2123	2A-025 ----- 2A-025
2125	2A-026 ----- 2A-026
2126	2A-026 ----- 2A-026
2127	2A-027 ----- 2A-027
2128	2A-028 ----- 2A-028
2129	2A-028 ----- 2A-028
2132	2A-028 ----- 2A-028
2133	2A-029 ----- 2A-029
2135	2A-029 ----- 2A-029
2136	2A-030 ----- 2A-032
2137	2A-033 ----- 2A-033
2201	2B-001 ----- 2B-002
2204	2B-003 ----- 2B-003
2206	2B-003 ----- 2B-003
2207	2B-004 ----- 2B-005
2208	2B-006 ----- 2B-006
2210	2B-007 ----- 2B-007
2211	2B-007 ----- 2B-007
2213	2B-008 ----- 2B-008
2214	2B-008 ----- 2B-008
2215	2B-009 ----- 2B-009
2217	2B-009 ----- 2B-009
2305	2C-001 ----- 2C-001
2306	2C-001 ----- 2C-001
2307	2C-002 ----- 2C-002
2308	2C-003 ----- 2C-003
2309	2C-004 ----- 2C-004
2310	2C-004 ----- 2C-004
2311	2C-005 ----- 2C-005
2312	2C-006 ----- 2C-006
2315	2C-007 ----- 2C-007
2316	2C-008 ----- 2C-008
2317	2C-009 ----- 2C-009
2322	2C-010 ----- 2C-010
2324	2C-011 ----- 2C-011
2326	2C-012 ----- 2C-012
2327	2C-013 ----- 2C-013
2328	2C-014 ----- 2C-014
2330	2C-015 ----- 2C-015
2332	2C-015 ----- 2C-015
2338	2C-016 ----- 2C-016
2401	2D-001 ----- 2D-002
2404	2D-003 ----- 2D-004
2405	2D-004 ----- 2D-004
2406	2D-005 ----- 2D-005
2407	2D-005 ----- 2D-006
2408	2D-007 ----- 2D-008
2409	2D-008 ----- 2D-008
2410	2D-009 ----- 2D-009
2411	2D-009 ----- 2D-009

产品编号: Product code	页码: Page number
2412	2D-010 ----- 2D-010
2414	2D-010 ----- 2D-010
2416	2D-011 ----- 2D-011
2421	2D-012 ----- 2D-012
3101	3A-001 ----- 3A-001
3201	3B-001 ----- 3B-001
3202	3B-002 ----- 3B-002
3203	3B-002 ----- 3B-002
3204	3B-003 ----- 3B-003
3205	3B-003 ----- 3B-003
3206	3B-004 ----- 3B-004
3212	3B-004 ----- 3B-004
3207	3B-005 ----- 3B-005
3301	3C-001 ----- 3C-001
3302	3C-002 ----- 3C-002
3303	3C-002 ----- 3C-002
3308	3C-002 ----- 3C-002
3305	3C-003 ----- 3C-003
3307	3C-003 ----- 3C-003
3306	3C-004 ----- 3C-004
3401	3D-001 ----- 3D-001
3501	3E-001 ----- 3E-001
6101	6A-001 ----- 6A-001
6102	6A-002 ----- 6A-002
6103	6A-002 ----- 6A-002
6104	6A-003 ----- 6A-003
6105	6A-004 ----- 6A-004
6106	6A-005 ----- 6A-005
6201	6B-001 ----- 6B-001
6301	6C-001 ----- 6C-001
7201	7B-001 ----- 7B-001
7202	7B-001 ----- 7B-001
7203	7B-001 ----- 7B-001
7204	7B-002 ----- 7B-002
7205	7B-002 ----- 7B-002
7206	7B-002 ----- 7B-002
7207	7B-002 ----- 7B-002
7404	7B-002 ----- 7B-002
7301	7C-001 ----- 7C-001
7302	7C-001 ----- 7C-001
7303	7C-001 ----- 7C-001
9100	9A-001 ----- 9A-006
9200	9B-001 ----- 9B-002
9301	9C-001 ----- 9C-002
9405	9D-001 ----- 9D-001
9401	9D-001 ----- 9D-004
9501	9E-001 ----- 9E-002
9606	9F-001 ----- 9F-001

YEEKA

замки петли ручки

info@schraubennun.ru
www.schraubennun.ru

RUS